



General Description

Silego SLG7NT41204 is a low power and small form device. The SoC is housed in a 2mm x 3mm STQFN package which is optimal for using with small devices.

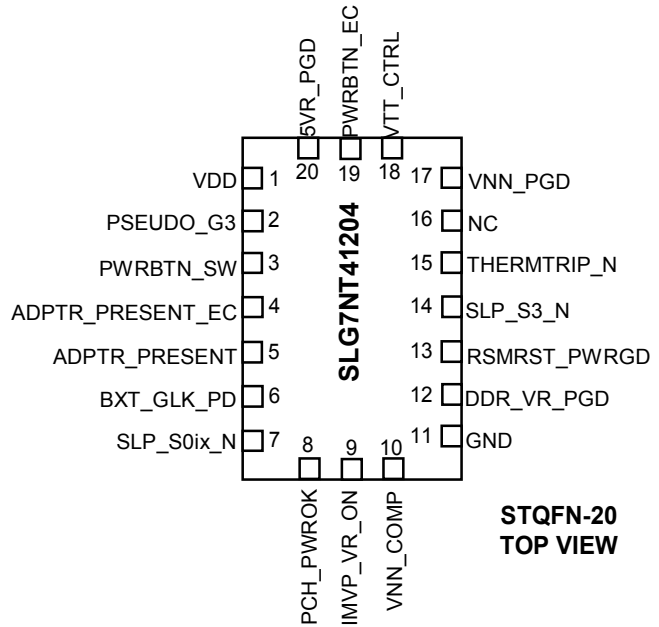
Features

- Low Power Consumption
- Pb-Free / RoHS Compliant
- Halogen-Free
- STQFN-20 Package

Output Summary

- 7 Outputs — Open Drain NMOS 1X

Pin Configuration





Pin Configuration

Pin #	Pin Name	Type	Pin Description
1	VDD	PWR	Supply Voltage
2	PSEUDO_G3	Digital Input	Digital Input without Schmitt trigger
3	PWRBTN_SW	Digital Input	Digital Input with Schmitt trigger
4	ADPTR_PRESENT_EC	Digital Output	Open Drain NMOS 1X
5	ADPTR_PRESENT	Digital Input	Digital Input without Schmitt trigger
6	BXT_GLK_PD	Analog Input/Output	Analog Input/Output
7	SLP_S0ix_N	Digital Input	Digital Input without Schmitt trigger
8	PCH_PWROK	Digital Output	Open Drain NMOS 1X
9	IMVP_VR_ON	Digital Output	Open Drain NMOS 1X
10	VNN_COMP	Analog Input/Output	Analog Input/Output
11	GND	GND	Ground
12	DDR_VR_PGD	Digital Input	Digital Input without Schmitt trigger
13	RSMRST_PWRGD	Digital Input	Digital Input without Schmitt trigger
14	SLP_S3_N	Digital Input	Digital Input without Schmitt trigger
15	THERMTRIP_N	Analog Input/Output	Analog Input/Output
16	NC	--	Keep Floating or Connect to GND
17	VNN_PGD	Digital Output	Open Drain NMOS 1X
18	VTT_CTRL	Digital Output	Open Drain NMOS 1X
19	PWRBTN_EC	Digital Output	Open Drain NMOS 1X
20	5VR_PGD	Digital Output	Open Drain NMOS 1X

Ordering Information

Part Number	Package Type
SLG7NT41204V	V=STQFN-20
SLG7NT41204VTR	VTR=STQFN-20 – Tape and Reel (3k units)



Absolute Maximum Conditions

Parameter	Min.	Max.	Unit
V _{HIGH} to GND	-0.3	7	V
Voltage at input pins	-0.3	7	V
Current at input pin	-1.0	1.0	mA
Storage temperature range	-65	125	°C
Junction temperature	--	150	°C
ESD Protection (Human Body Model)	2000	--	V
ESD Protection (Charged Device Model)	1300	--	V
Moisture Sensitivity Level	1		

Electrical Characteristics

(@ 25°C, unless otherwise stated)

Symbol	Parameter	Condition/Note	Min.	Typ.	Max.	Unit
V _{DD}	Supply Voltage		4.5	5	5.5	V
T _A	Operating Temperature		-40	25	85	°C
I _Q	Quiescent Current	Static inputs and outputs	--	95	--	µA
V _O	Maximal Voltage Applied to any PIN in High-Impedance State		--	--	V _{DD}	V
I _O	Maximal Average or DC Current (note 1)	Per Each Chip Side (PIN2-PIN10, PIN12-PIN20)	--	--	90	mA
V _{IH}	HIGH-Level Input Voltage	Logic Input, at V _{DD} =5.0V	2.64	--	V _{DD}	V
		Logic Input with Schmitt Trigger, at V _{DD} =5.0V	3.16	--	V _{DD}	
V _{IL}	LOW-Level Input Voltage	Logic Input, at V _{DD} =5.0V	--	--	1.84	V
		Logic Input with Schmitt Trigger, at V _{DD} =5.0V	--	--	1.51	
I _{IH}	HIGH-Level Input Current	Logic Input PINS; V _{IN} = V _{DD}	-1.0	--	1.0	µA
I _{IL}	LOW-Level Input Current	Logic Input PINS; V _{IN} = 0V	-1.0	--	1.0	µA
V _{OL}	LOW-Level Output Voltage	Open Drain, I _{OL} = 5mA, 1X Driver, at V _{DD} =5.0 V	--	0.102	0.180	V
I _{OL}	LOW-Level Output Current	Open Drain, V _{OL} =0.4V, 1X Driver, at V _{DD} =5.0 V	10.82	17.38	--	mA
V _{ACMP0}	Analog Comparator Threshold Voltage	ACMP0 threshold including input offset, reference voltage variation and hysteresis, at temperature 25°C.	1184	--	1219	mV
		ACMP0 threshold including input offset, reference voltage variation and hysteresis, at temperature -40°C +85°C (note 1)	1133	--	1245	
V _{ACMP1}	Analog Comparator Threshold Voltage	ACMP1 threshold including input offset, reference voltage variation and hysteresis, at temperature 25°C.	568	--	633	mV

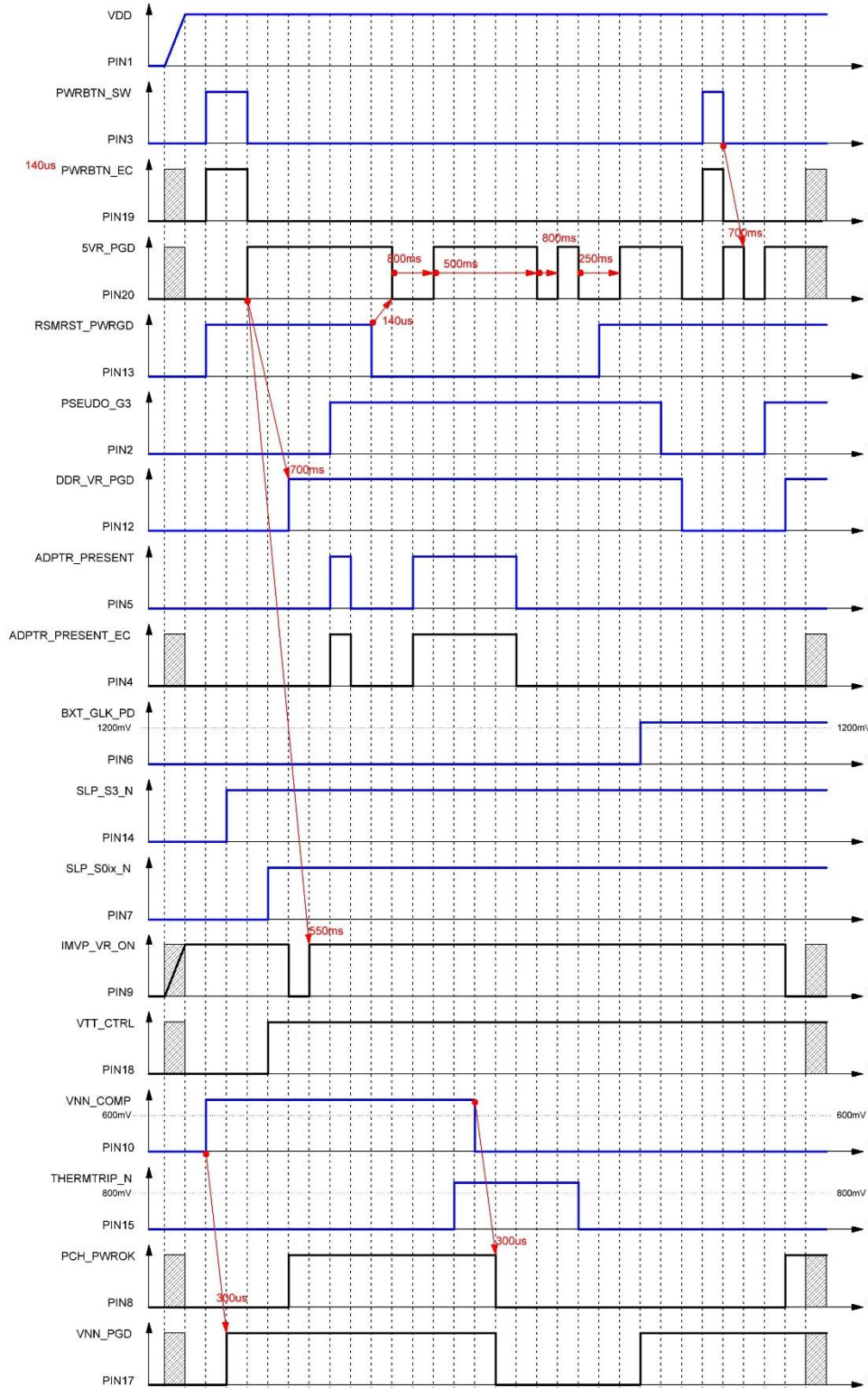


		ACMP1 threshold including input offset, reference voltage variation and hysteresis, at temperature -40°C +85°C (note 1)	548	--	645	
V _{ACMP3}	Analog Comparator Threshold Voltage	ACMP3 threshold including input offset, reference voltage variation and hysteresis, at temperature 25°C.	777	--	823	mV
		ACMP3 threshold including input offset, reference voltage variation and hysteresis, at temperature -40°C +85°C (note 1)	746	--	838	
V _{HYST}	Analog Comparator Hysteresis Voltage (note 1)	ACMP 3	--	25	--	mV
		ACMP 1	--	50	--	
T _{DLY0}	Delay0 Time	At temperature 25°C	777.14	800.08	823.64	ms
		At temperature -40°C +85°C (note 1)	699.06	800.08	972.55	
T _{DLY1}	Delay1 Time	At temperature 25°C	680	700.08	720.71	ms
		At temperature -40°C +85°C (note 1)	611.68	700.08	851.01	
T _{DLY2}	Delay2 Time	At temperature 25°C	484.93	500.48	516.49	ms
		At temperature -40°C +85°C (note 1)	436.21	500.48	609.87	
T _{DLY3}	Delay3 Time	At temperature 25°C	116.56	140	164.7	µs
		At temperature -40°C +85°C (note 1)	104.85	140	194.48	
T _{DLY4}	Delay4 Time	At temperature 25°C	534.67	551.68	569.19	ms
		At temperature -40°C +85°C (note 1)	480.95	551.68	672.1	
T _{DLY5}	Delay5 Time	At temperature 25°C	271.99	300	329.4	µs
		At temperature -40°C +85°C (note 1)	244.67	300	388.95	
T _{DLY6}	Delay6 Time	At temperature 25°C	241.22	249.6	258.25	ms
		At temperature -40°C +85°C (note 1)	216.98	249.6	304.94	
T _{SU}	Start up Time	From VDD rising past 1.6V	--	0.3	--	ms

1. Guaranteed by Design.

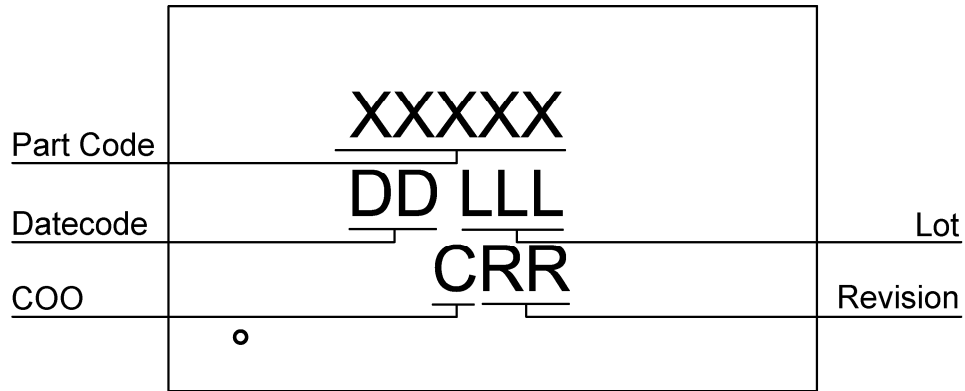


Timing Diagram





Package Top Marking



- XXXXX – Part ID Field: identifies the specific device configuration
- DD – Date Code Field: Coded date of manufacture
- LLL – Lot Code: Designates Lot #
- C – Assembly Site/COO: Specifies Assembly Site/Country of Origin
- RR – Revision Code: Device Revision

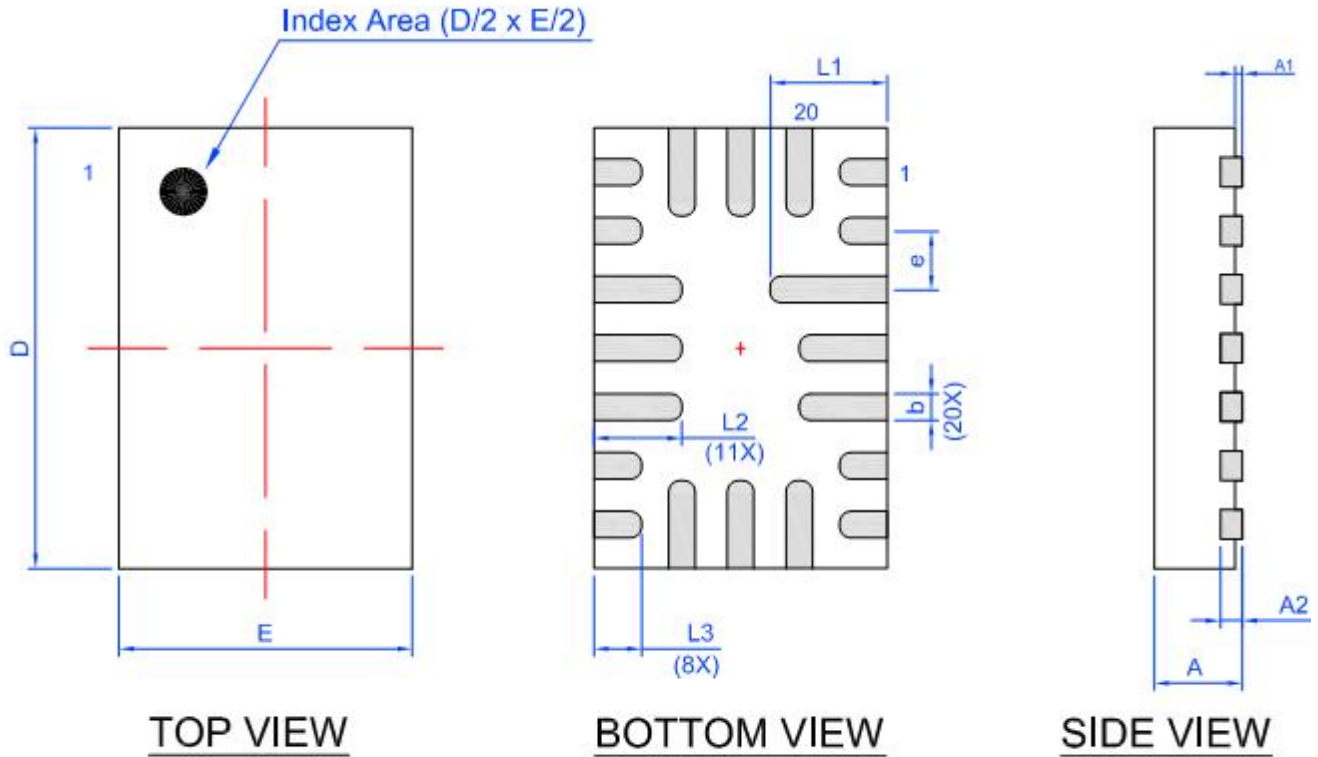
Datasheet Revision	Programming Code Number	Locked Status	Part Code	Revision	Date
1.03	002	L	41204	AB	06/29/2017

The IC security bit is locked/set for code security for production unless otherwise specified. Revision number is not changed for bit locking.



Package Drawing and Dimensions

20 Lead STQFN Package
JEDEC MO-220, Variation WECE
IC Net Weight: 0.0090 g



Unit: mm

Symbol	Min	Nom.	Max	Symbol	Min	Nom.	Max
A	0.50	0.55	0.60	D	2.95	3.00	3.05
A1	0.005	-	0.050	E	1.95	2.00	2.05
A2	0.10	0.15	0.20	L1	0.75	0.80	0.85
b	0.13	0.18	0.23	L2	0.55	0.60	0.65
e	0.40 BSC			L3	0.275	0.325	0.375



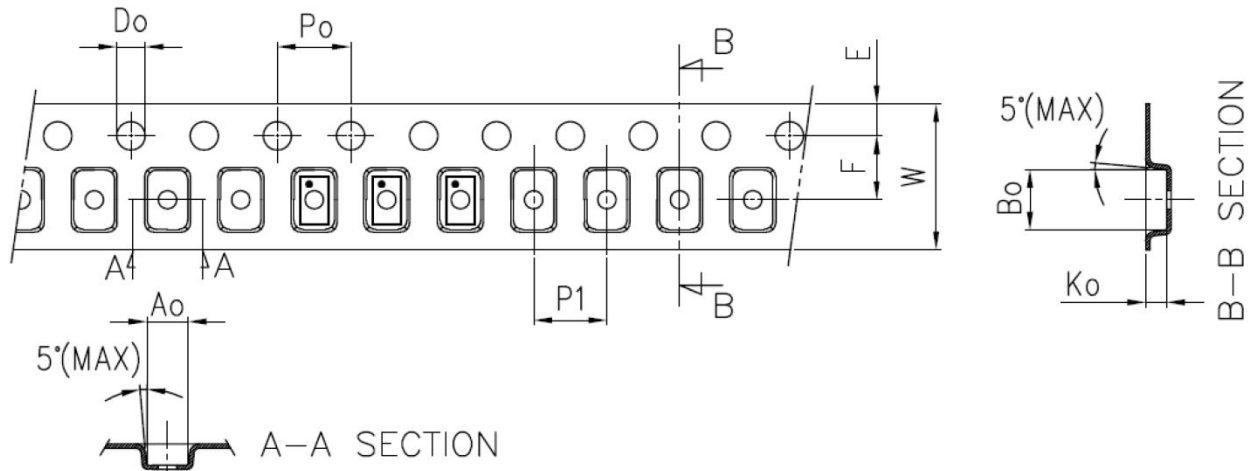
Tape and Reel Specification

Package Type	# of Pins	Nominal Package Size (mm)	Max Units		Reel & Hub Size (mm)	Trailer A		Leader B		Pocket (mm)	
			per reel	per box		Pockets	Length (mm)	Pockets	Length (mm)	Width	Pitch
STQFN 20L 2x3mm 0.4P Green	20	2x3x0.55	3000	3000	178/60	100	400	100	400	8	4

Carrier Tape Drawing and Dimensions

Package Type	Pocket BTM Length (mm)	Pocket BTM Width (mm)	Pocket Depth (mm)	Index Hole Pitch (mm)	Pocket Pitch (mm)	Index Hole Diameter (mm)	Index Hole to Tape Edge (mm)	Index Hole to Pocket Center (mm)	Tape Width (mm)
	A0	B0	K0	P0	P1	D0	E	F	W
STQFN 20L 2x3mm 0.4P Green	2.2	3.15	0.76	4	4	1.5	1.75	3.5	8

Refer to EIA-481 Specifications



Recommended Reflow Soldering Profile

Please see IPC/JEDEC J-STD-020: latest revision for reflow profile based on package volume of 3.3 mm³ (nominal). More information can be found at www.jedec.org.



Silego Website & Support

Silego Technology Website

Silego Technology provides online support via our website at <http://www.silego.com/>. This website is used as a means to make files and information easily available to customers.

For more information regarding Silego Green products, please visit:

<http://greenpak.silego.com/>
<http://greenpak2.silego.com/>
<http://greenpak3.silego.com/>
<http://greenfet.silego.com/>
<http://greenfet2.silego.com/>
<http://greenclk.silego.com/>

Products are also available for purchase directly from Silego at the Silego Online Store at <http://www.silego.com/>

Silego Technical Support

Datasheets and errata, application notes and example designs, user guides, and hardware support documents and the latest software releases are available at the Silego website or can be requested directly at info@silego.com.

For specific GreenPAK design or applications questions and support please send e-mail requests to GreenPAK@silego.com

Users of Silego products can receive assistance through several channels:

Online Training

Silego Technology has live training assistance and sales support available at <http://www.silego.com/>. Please contact us to schedule a 1 on 1 training session with one of our application engineers.

Contact Your Local Sales Representative

Customers can contact their local sales representative or field application engineer (FAE) for support. Local sales offices are also available to help customers. More information regarding your local representative is available at the Silego website or send a request to info@silego.com

Contact Silego Directly

Silego can be contacted directly via e-mail at info@silego.com or user submission form, located at the following URL:
<http://support.silego.com/>

Other Information

The latest Silego Technology press releases, listing of seminars and events, listings of worldwide Silego Technology offices and representatives are all available at <http://www.silego.com/>

THIS PRODUCT HAS BEEN DESIGNED AND QUALIFIED FOR THE CONSUMER MARKET. APPLICATIONS OR USES AS CRITICAL COMPONENTS IN LIFE

SUPPORT DEVICES OR SYSTEMS ARE NOT AUTHORIZED. SILEGO TECHNOLOGY DOES NOT ASSUME ANY LIABILITY ARISING OUT OF SUCH APPLICATIONS OR USES OF ITS PRODUCTS. SILEGO TECHNOLOGY RESERVES THE RIGHT TO IMPROVE PRODUCT DESIGN, FUNCTIONS AND RELIABILITY WITHOUT NOTICE