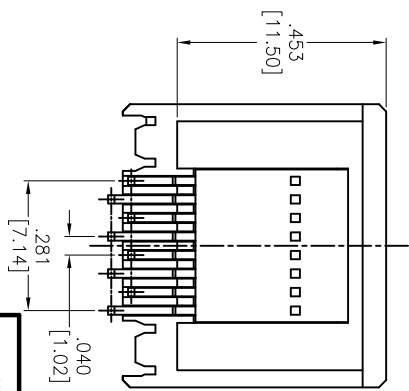
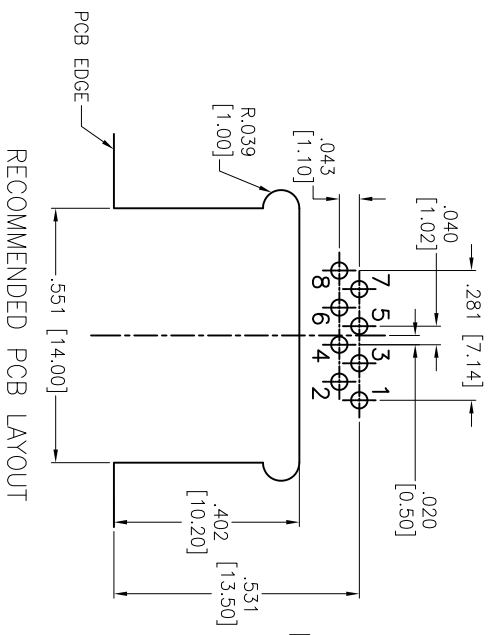
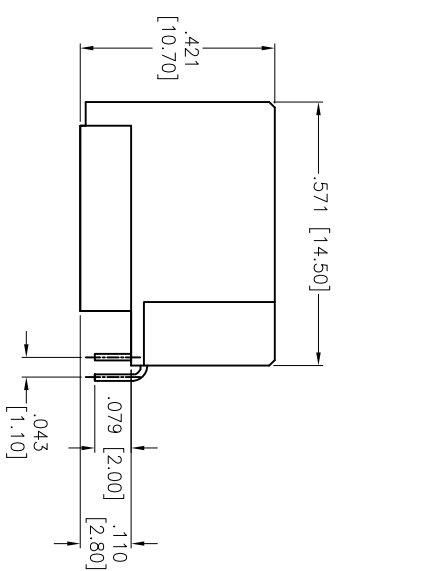
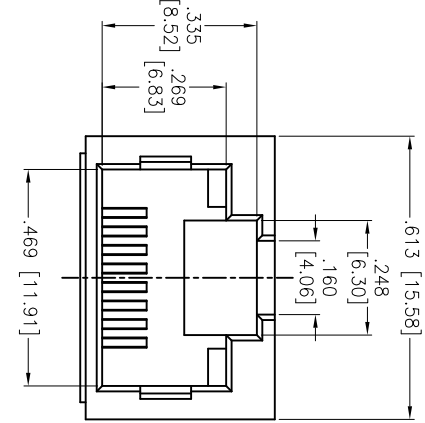
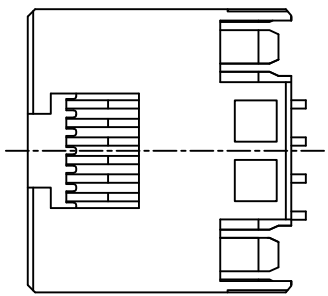


Rev	AWO #	Description	Date	Appr
-		RELEASED	4/29/15	

APPROVED: _____ TITLE: _____
 DATE: _____



X	PLATING
0	15 µin Gold
1	30 µin Gold
2	50 µin Gold

RECOMMENDED PCB LAYOUT

SPECIFICATIONS:

Material: Nylon46, rated UL 94V-0
 Insulator color: Black
 Contacts: Phosphor Bronze
 Shield: Copper Alloy, Nickel plated
 Contact Plating:
 Gold Flash over Nickel underplate on contact area,
 Tin over Copper underplate on tails
 (See chart for thickness).
 Electrical:
 Operating voltage: 125 VAC max
 Current rating: 1.5 Amps max
 Contact Resistance: 35 mohms max. initial
 Insulation resistance: 1,000 Mohms min
 Dielectric withstanding voltage: 1,000 VAC for 1 minut
 Temperature Rating:
 Operating temperature: -40°C to +85°C
 Environmental:
 Lead free, RoHS compliant.

ADAM TECH

909 Railway Avenue, Union, NJ 07083
 Phone: 908-687-5000 Fax: 908-687-5710

MODULAR JACK GANGED, 1 PORT, 8P8C

UNLESS OTHERWISE SPECIFIED
 ALL DIMENSIONS ARE INCHES [MM]
 TOLERANCES: EXCEPT AS NOTED
 INCHES: .10 Ø.XX ± .020 HOLES ± .10
 .XX ± .015 Ø.XXX ± .015
 .XXX ± .015 Ø.XXX ± .010

APPROVALS	DATE
DRAWN AY	4/29/15
CHECKED GC	4/29/15
APPROVED	

SIZE	PART NO.	REV.
X	MTJ-88CPX1D-HT	
REF:	S00065T	SCALE: NTS
SHEET	1 OF 1	

