

IF SAW Filter 140MHz
Part No: MA09267

Model: TB0439A
Rev No: 2

A. MAXIMUM RATING:

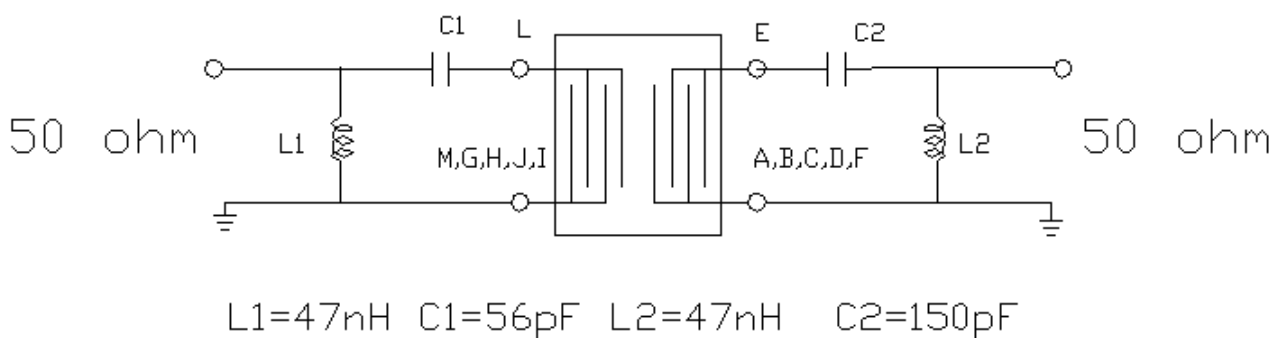
1. Operating Temperature: -40°C ~ +85°C
2. Storage Temperature: -55°C ~ +85°C
3. Input Power Level: 10dBm

B. CHARACTERISTICS:

Ambient Temperature: 25°C

Characteristics	Value			Note.
	Min.	Typ.	Max.	
Center frequency Fc MHz	-	140.0	-	-
Maximum Insertion loss IL dB	-	9.20	10.75	-
1dB Bandwidth MHz	12.0	15.1	-	-
3dB Bandwidth MHz	15.0	17.6	-	-
40dB Bandwidth MHz	-	26.7	40.0	-
Passband Ripple (Fc ± 6MHz) MHz	-	0.6	1.2	-
Group Delay Ripple (Fc ± 6MHz) nS	-	75	180	-
Temp Coefficient ppm/°C	-	-94	-	-

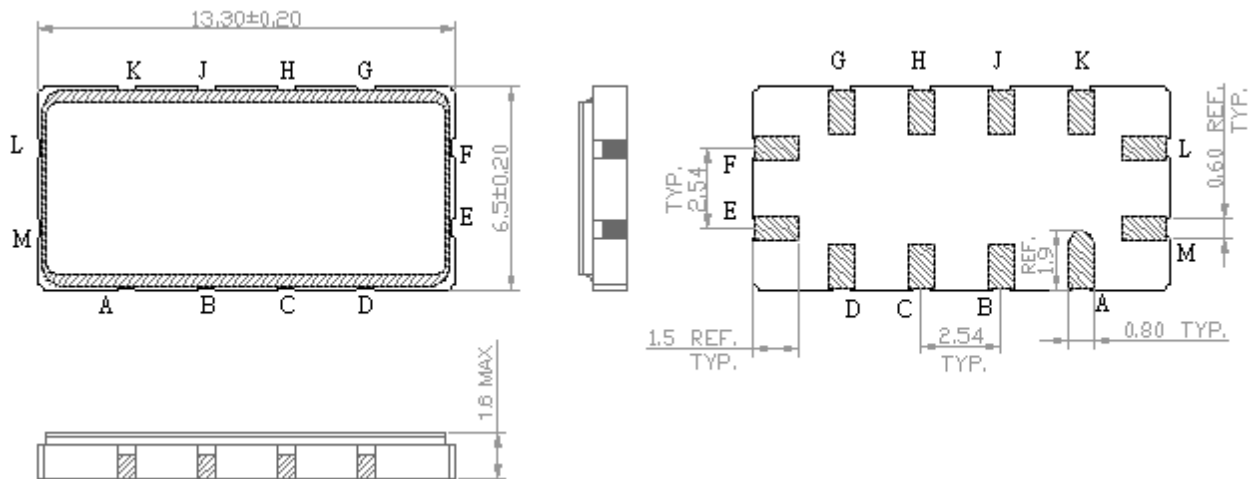
C. TEST FIXTURE:



IF SAW Filter 140MHz
Part No: MA09267

Model: TB0439A
Rev No: 2

D. OUTLINE DRAWING:



- L RF: Input
 - M RF: Input ground
 - E RF: Output
 - F RF: Output ground
 - A, B, C, D, G, H, J, K: To be ground
- Unit: mm

IF SAW Filter 140MHz
Part No: MA09267

Model: TB0439A
Rev No: 2

E. FREQUENCY CHARACTERISTICS:

1. S21 Response

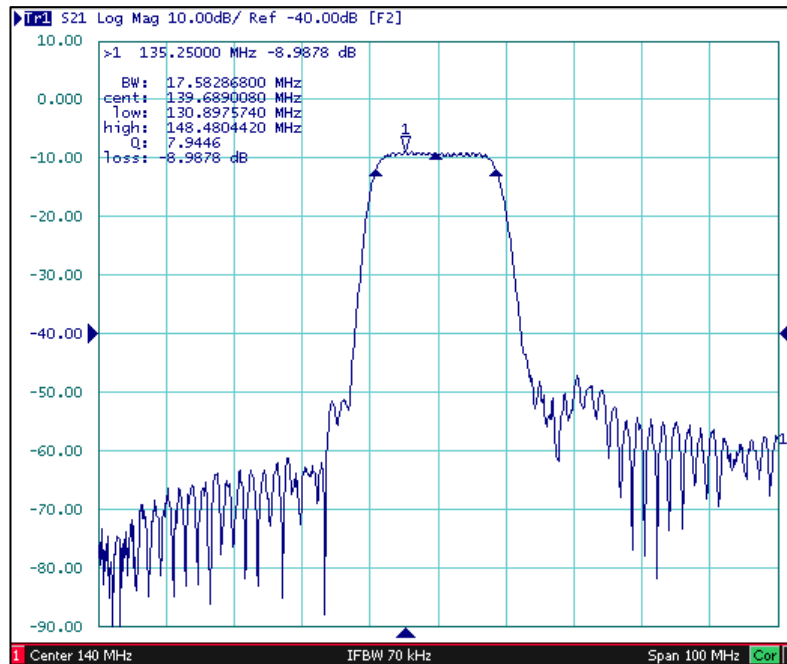


Fig.1: Horizontal: 100MHz/Div; Vertical: 10dB/Div

2. Pass band Ripple and Group Delay Ripple

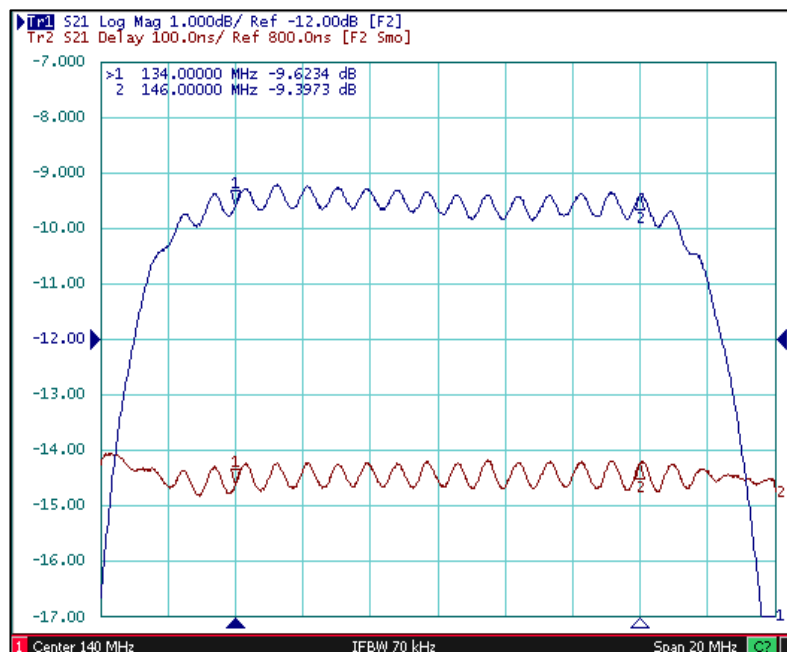
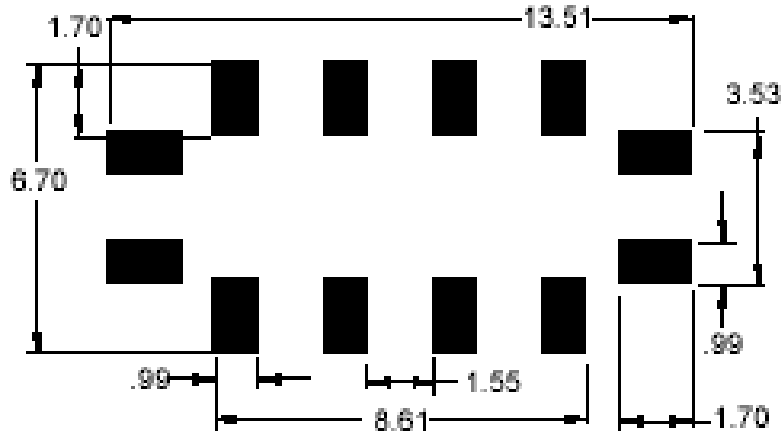


Fig.2: Horizontal: 2MHz/Div; Vertical: 1dB/Div; Vertical: 100nS/Div

IF SAW Filter 140MHz
Part No: MA09267

Model: TB0439A
Rev No: 2

F. PCB FOOTPRINT:

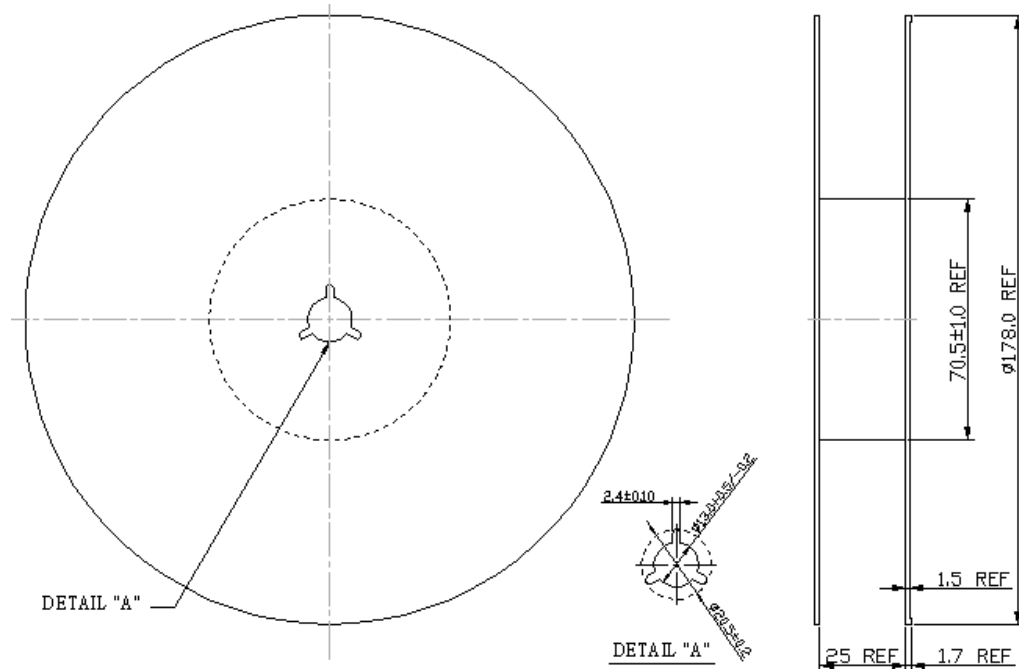


IF SAW Filter 140MHz
Part No: MA09267

Model: TB0439A
Rev No: 2

G. PACKING:

1. REEL DIMENSION



2. TAPE DIMENSION

