

Customer Information Sheet

DRAWING No.: M80-5D1XXXXBI SHEET 2 OF 2

IF IN DOUBT - ASK

(C)

NOT TO SCALE

THIRD ANGLE PROJECTION

ALL DIMENSIONS IN mm

SPECIFICATIONS:

MATERIAL:
 MOULDING = GLASS-FILLED PPS, UL94V-0, BLACK
 CONTACT = BRASS
 PANEL MOUNT & NUT = STAINLESS STEEL
 BACKSHELL = ALUMINIUM ALLOY

FINISH:
 CONTACT = 0.75µ GOLD ALL OVER
 BACKSHELL = NICKEL

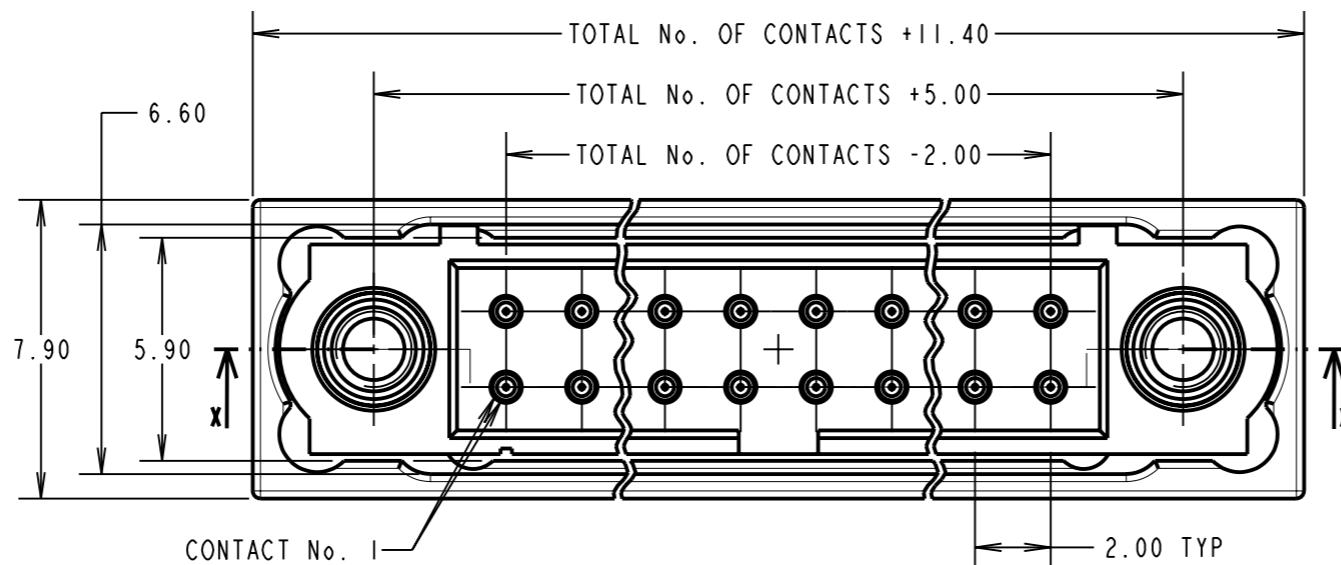
ELECTRICAL:
 RF ATTENUATION = 10 kHz TO 400MHz @ >30 dBs
 IN GENERAL ACCORDANCE WITH MIL STD 1377 (1971)
 CURRENT RATING AT 25°C = 3.0A MAX
 CURRENT RATING AT 85°C = 2.2A MAX
 WORKING VOLTAGE = 120V AC/DC
 VOLTAGE PROOF = 360V AC/DC
 CONTACT RESISTANCE = 25 mΩ MAX
 INSULATION RESISTANCE = 100 MΩ MIN

MECHANICAL:
 DURABILITY = 500 OPERATIONS

ENVIRONMENTAL:
 TEMPERATURE RANGE = -55°C TO +121°C

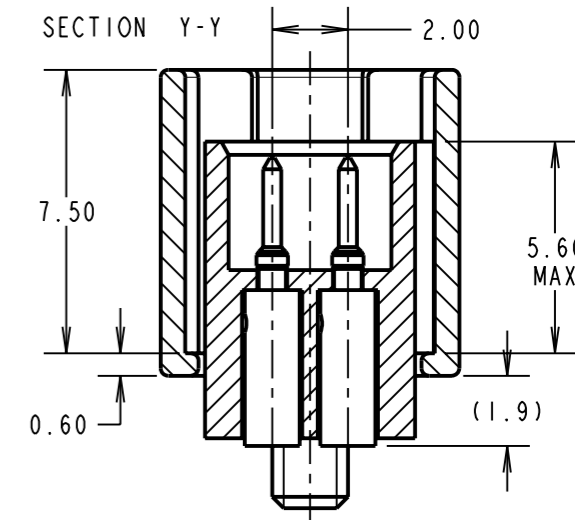
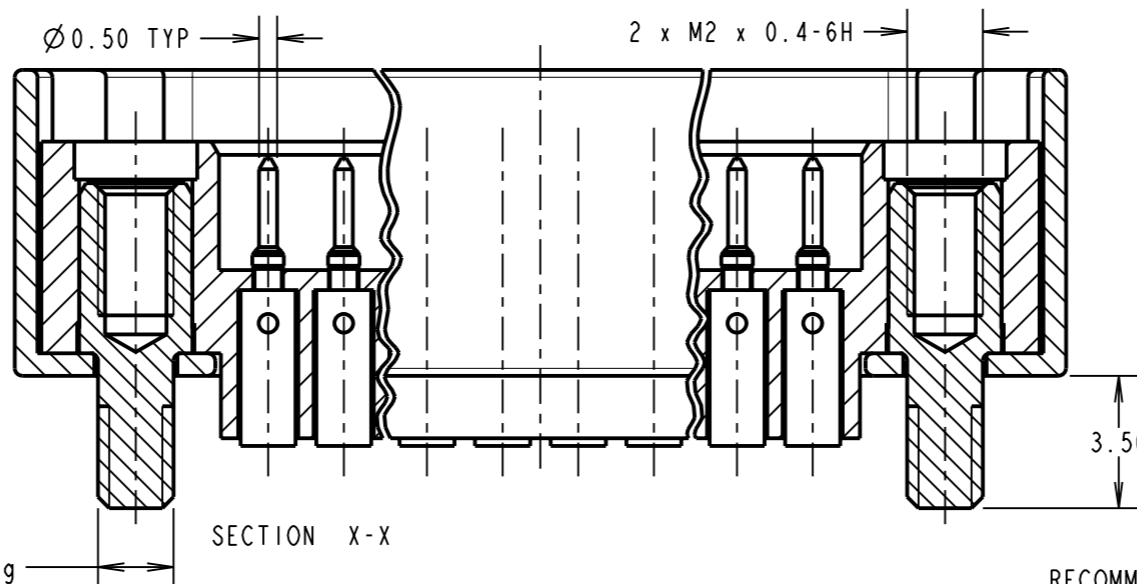
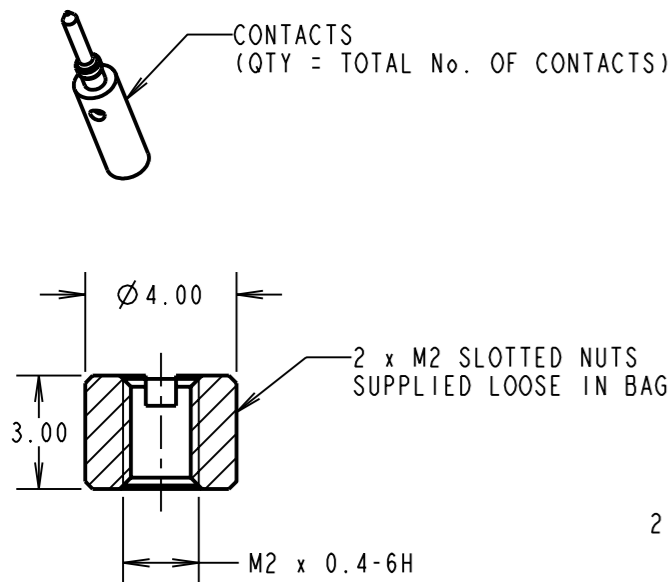
PACKING:
 SEE NOTES

FOR COMPLETE SPECIFICATION, SEE COMPONENT SPECIFICATION C005XX (LATEST ISSUE) AND C042XX (LATEST ISSUE)



NOTES:

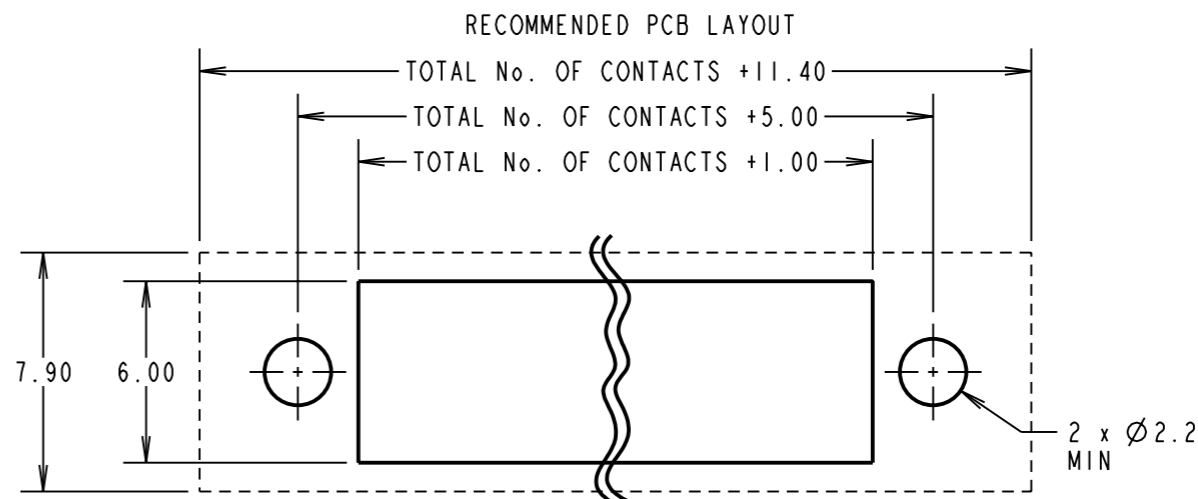
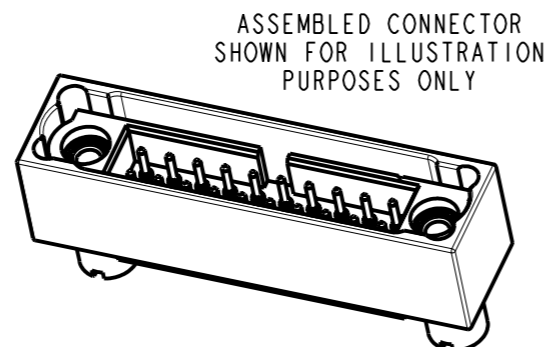
- SUPPLIED AS A KIT OF PARTS, CONNECTORS SHOWN ASSEMBLED FOR INFORMATION PURPOSES ONLY.
- CONNECTORS WITH JACKSCREWS ASSEMBLED, SLOTTED NUTS AND CONTACTS WILL BE SUPPLIED LOOSE IN A BAG, BACKSHELLS WILL BE INDIVIDUALLY BAGGED. KITS WILL BE BULK PACKED INTO BOXES
- FOR EXTRA CONTACTS, USE PART No.: M80-1940005 FOR M80-5D1XX05BI
- FOR M80-5D1XX05BI RECOMMENDED WIRE TYPE = BS 3G 210 TYPE A, PTFE INSULATED 22 AWG. MAX INSULATION DIAMETER = Ø1.10mm, STRIP WIRE BY 2.00mm.
- RECOMMENDED HAND CRIMP TOOL FOR ALL CONTACTS = M22520/2-01 WITH POSITIONER Z80-193
- CONTACT INSERTION AND EXTRACTION TOOL = Z80-280.
- INSTRUCTION SHEETS ARE AVAILABLE.



ORDER CODE: **M80-5D1XXXXBI**

TOTAL No. OF CONTACTS
 06, 10, 14, 20, 26

FINISH CODE
 05 - ALL OVER GOLD



| | | | |
|----------------|------|-----------|--------|
| SB | 4 | 15.03.11 | 11172 |
| NAME | ISS. | DATE | C/NOTE |
| APPROVED: | | S.BENNETT | |
| CHECKED: | | S.FLOWER | |
| DRAWN: | | S.FLOWER | |
| CUSTOMER REF.: | | | |
| ASSEMBLY DRG: | | | |

EXAMPLE ORDER CODE: CONNECTOR WITH 20 LARGE BORE CONTACTS, ALL OVER GOLD CONTACT.

M80-5D12005BI

| | | | | | | |
|------------------------------------------------------------------------|------------------------------------------------------------------------------------|--------------------------------------------------------------------------------|----------------------------------------------------------------------------------------------------------------|------------------------------------------------------------------------------|-----------------------------------------------------------------------------|---------------------|
| HARWIN | | | TOLERANCES X. = ±1mm X.X = ±0.25mm X.XX = ±0.10mm X.XXX = ±0.01mm ANGLES = ±5° UNLESS STATED | MATERIAL: SEE ABOVE FINISH: SEE ABOVE S/AREA: mm ² | TITLE: DATAMATE J-TEK DIL MALE CRIMP (LARGE BORE) ASSY WITH METAL BACKSHELL | |
| HARWIN USA TEL: 603 893 5376 FAX: 603 893 5396 mis@harwin.com | HARWIN Europe (UK) TEL: 023 9231 4545 FAX: 023 9231 4590 mis@harwin.co.uk | HARWIN Asia TEL: +65 6 779 4909 FAX: +65 6 779 3868 mis@harwin.com.sg | | | DRAWING NUMBER: M80-5D1XXXXBI | SHT 2 OF 2 |