



PRODUCT DATASHEET

Eva series

last update 14/5/2014

DETAILS

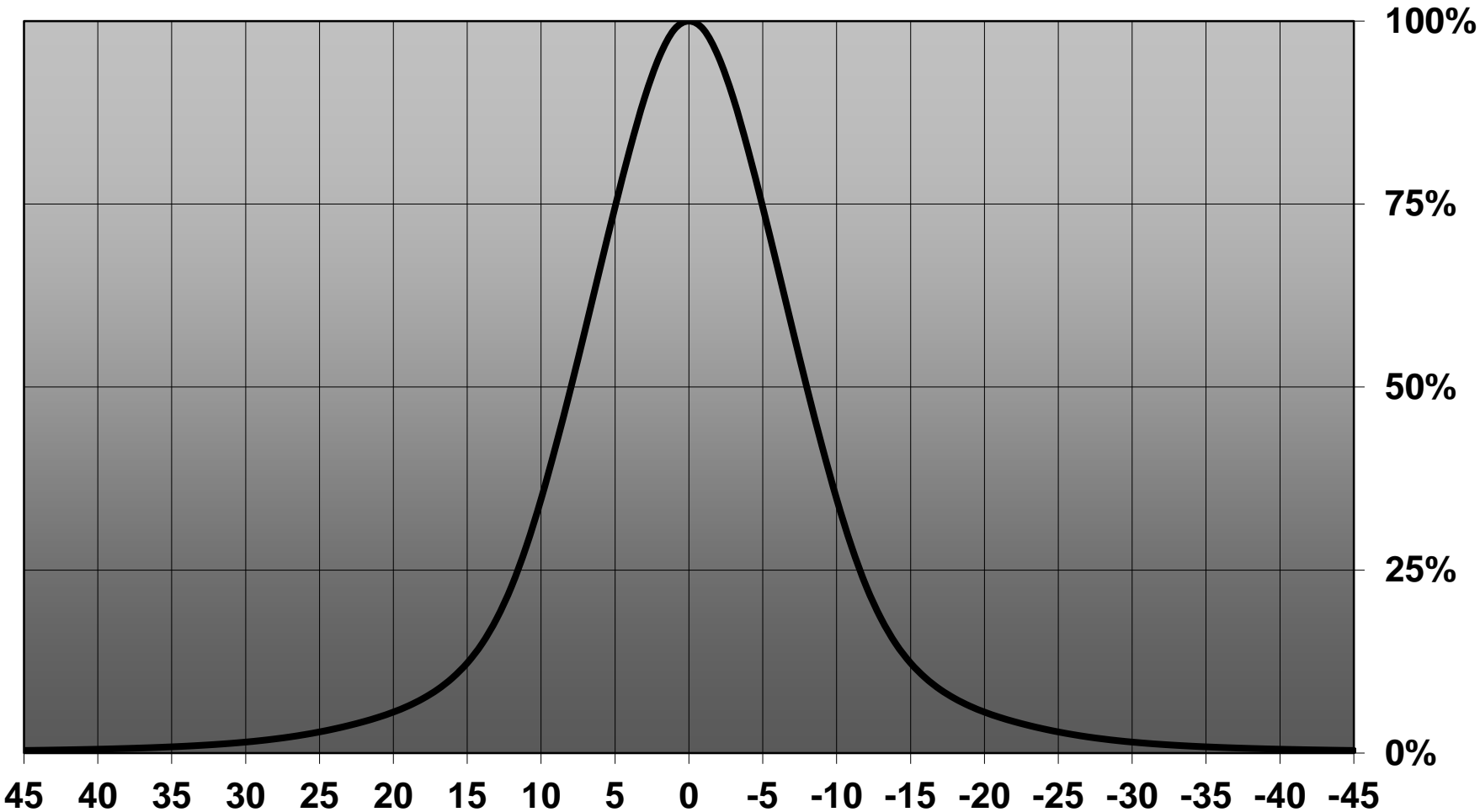
Product Number	CA12057_EVA-D
Family	Eva
Type	Assembly
Color	black
Diameter	37,7 mm
Height	17,2 mm
Style	round
Optic Material	PMMA
Holder Material	
Fastening	tape, screw
Status	production ready
ROHS Comliant	Yes
Date Updated	14/05/2014



OPTICAL PROPERTIES

LED	Viewing Angle	Light Beam	Efficiency	cd/lm	Connector
XM-L	16 deg	Diffuser	90 %	-	-
XM-L EZW	sim: 18	Diffuser	sim: 93 %	-	-
XM-L2	17 deg	Diffuser	88 %	sim: 8.200	-

Relative intensity of CA12057_EVA-D_(XM-L2)



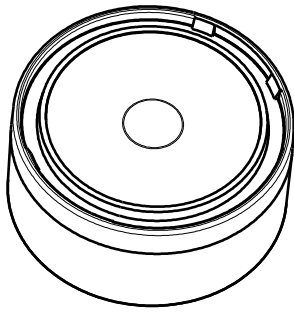
D

C

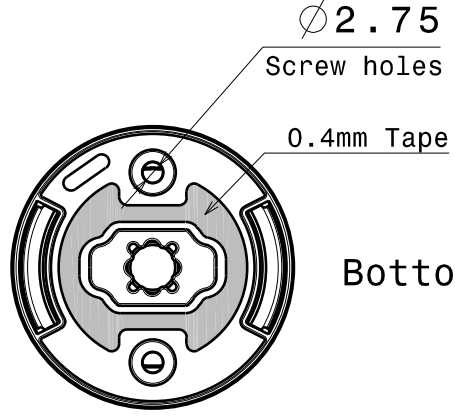
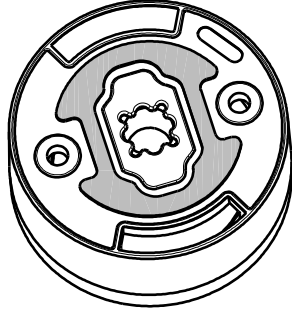
B

A

4

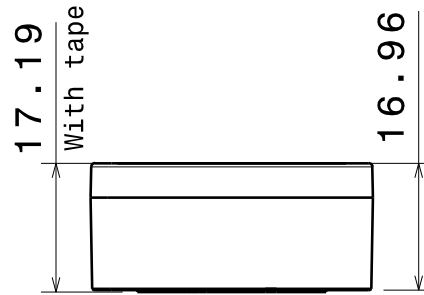


Isometric view



Bottom view

3

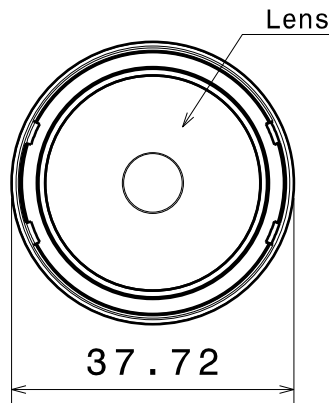


Front view

2

Part No.s:
 CA12055_Eva-S-XM-Tape
 CA12057_Eva-D-XM-Tape
 CA12058_Eva-M-XM-Tape
 CA12059_Eva-W-XM-Tape
 CA12060_Eva-WW-XM-Tape

Materials:
 Lens PMMA
 Holder PC



Top view

This drawing is our property.
 It can't be reproduced
 or communicated without
 our written agreement.



Ledil Oy
 Tehdaskatu 13
 FIN-24100 SALO
 Finland

1

1

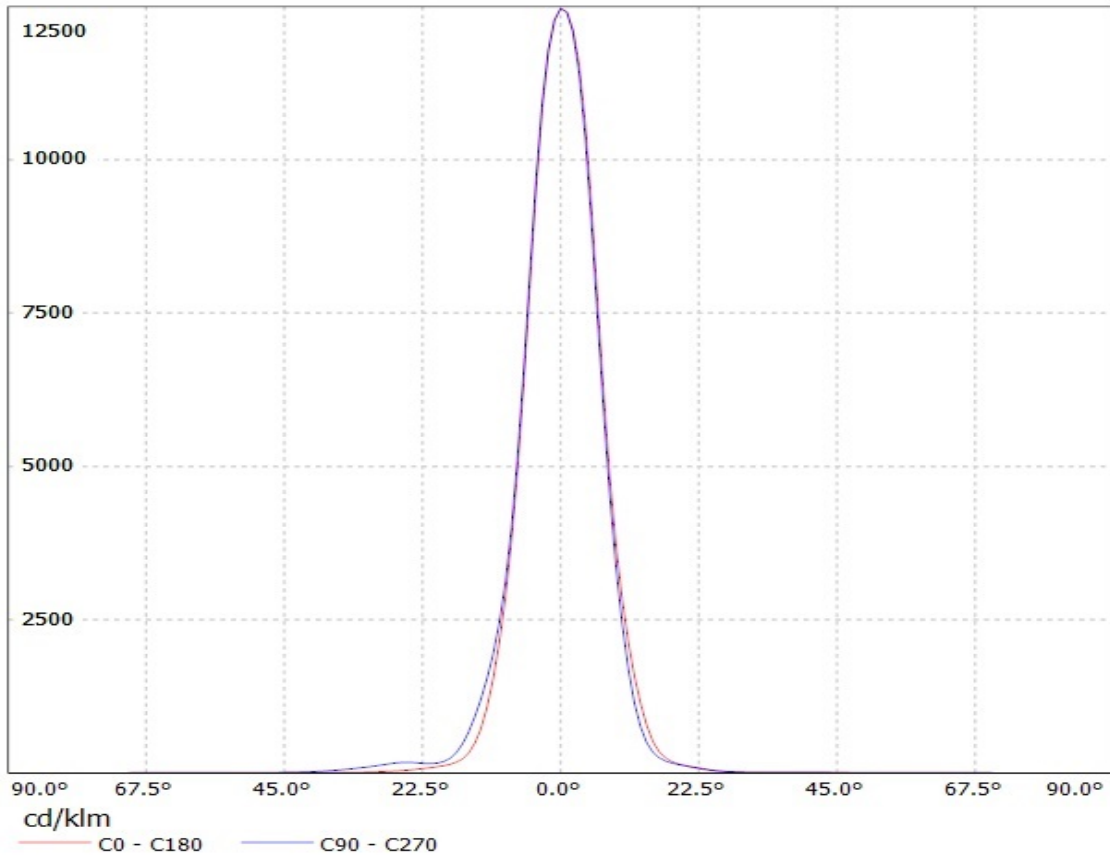
DRAWN BY mav		DATE 23.02.2011	DRAWING TITLE Datasheet Eva_XM-Series Assembly			
CHECKED BY sn		DATE 23.02.2011	SIZE A4	DRAWING NUMBER Multiple		REV 1.0
DESIGNED BY pl		DATE 17.02.2011	SCALE 2:1	WEIGHT (g)	SHEET 1/1	

D

A

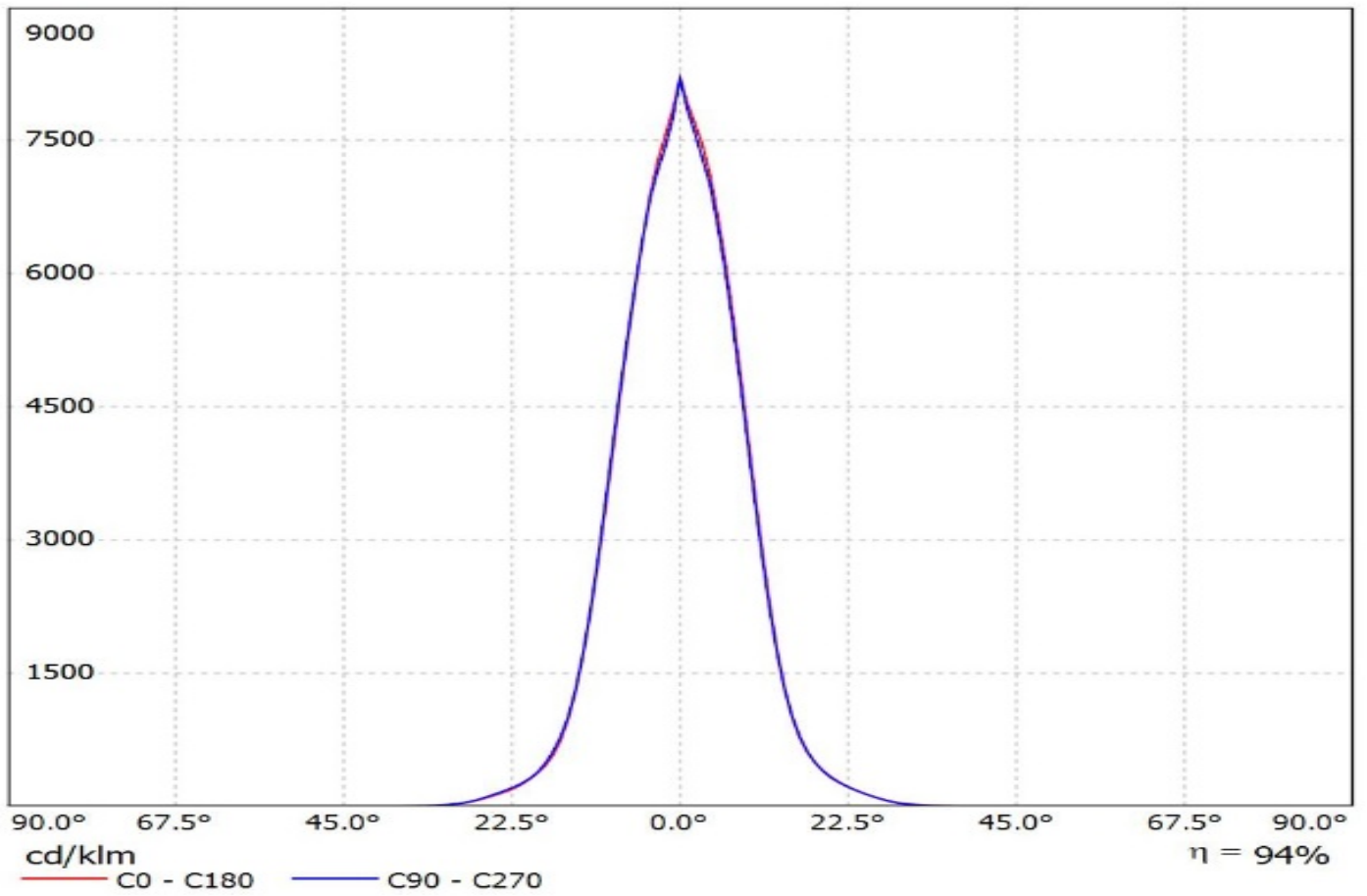
Ledil CA12055_Eva-S-XM-Tape CA12055_Eva-S-XM-Tape / LDC (Linear)

Luminaire: Ledil CA12055_Eva-S-XM-Tape CA12055_Eva-S-XM-Tape
Lamps: 1 x LED Module



SIMULATED

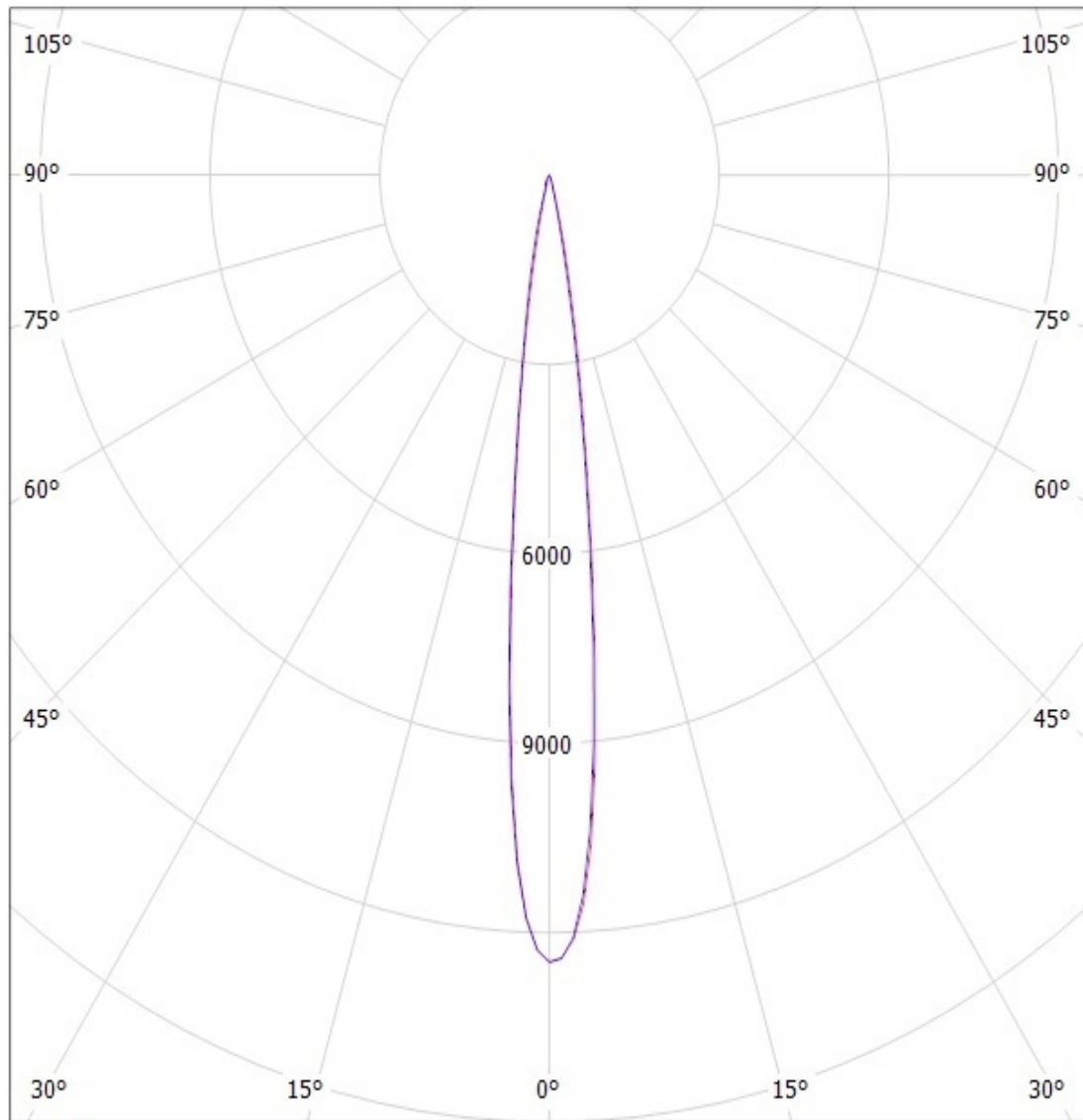
Luminaire: Ledil Oy CA12057_EVA-D_(XM-L2)_SIMULATED
Lamps: 1 x Cree XM-L2



Ledil CA12055_Eva-S-XM-Tape CA12055_Eva-S-XM-Tape / LDC (Polar)

Luminaire: Ledil CA12055_Eva-S-XM-Tape CA12055_Eva-S-XM-Tape

Lamps: 1 x LED Module

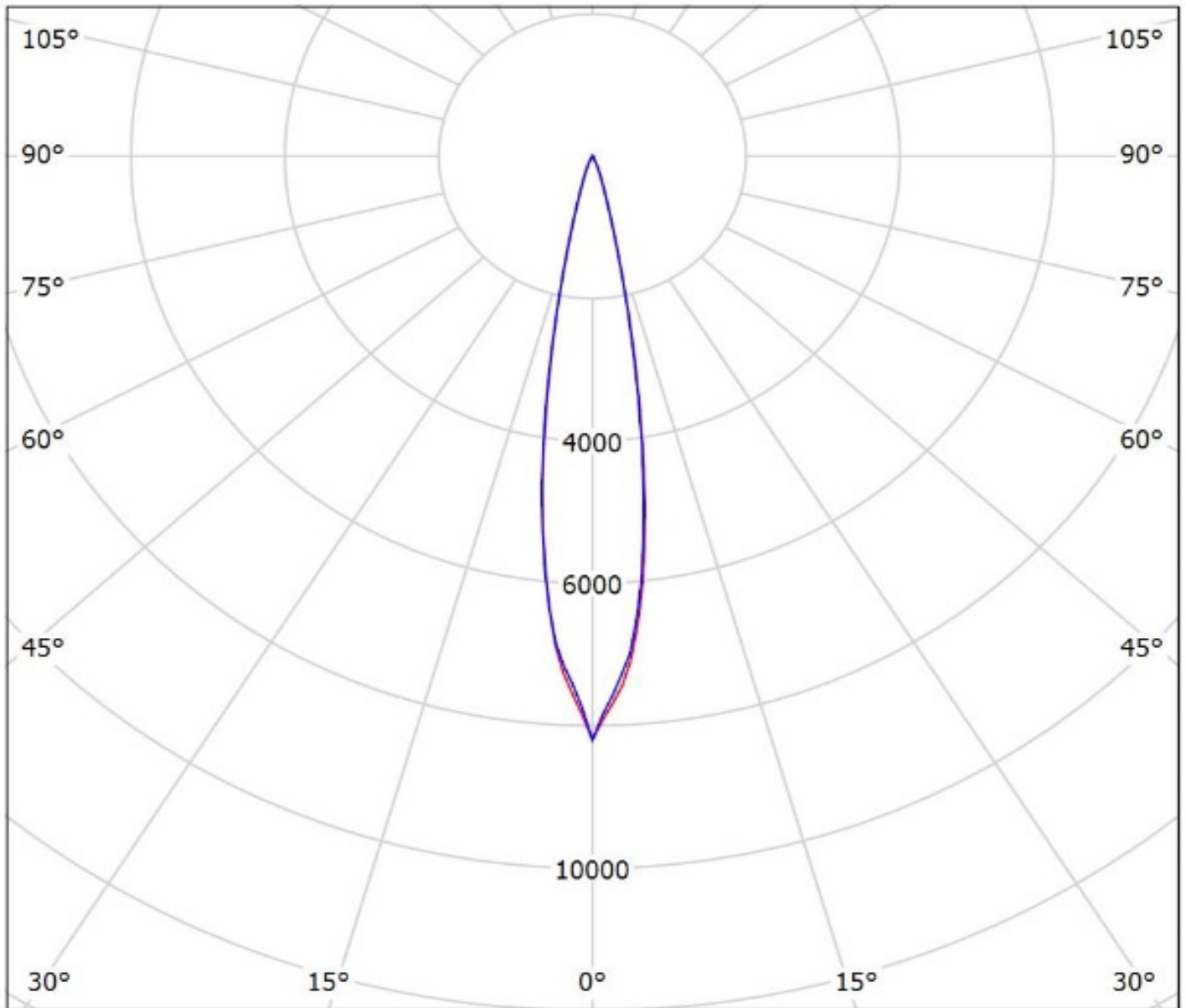


cd/klm

SIMULATED

— C0 - C180 — C90 - C270

Luminaire: Ledil Oy CA12057_EVA-D_(XM-L2)_SIMULATED
Lamps: 1 x Cree XM-L2



cd/klm

— C0 - C180 — C90 - C270

$\eta = 94\%$

NOTE: The typical divergence will be changed by different color, chip size and chip position tolerance. The typical total divergence is the full angle measured where the luminous intensity is half of the peak value.