



PRODUCT DATASHEET

Eva series

last update 18/4/2017

DETAILS

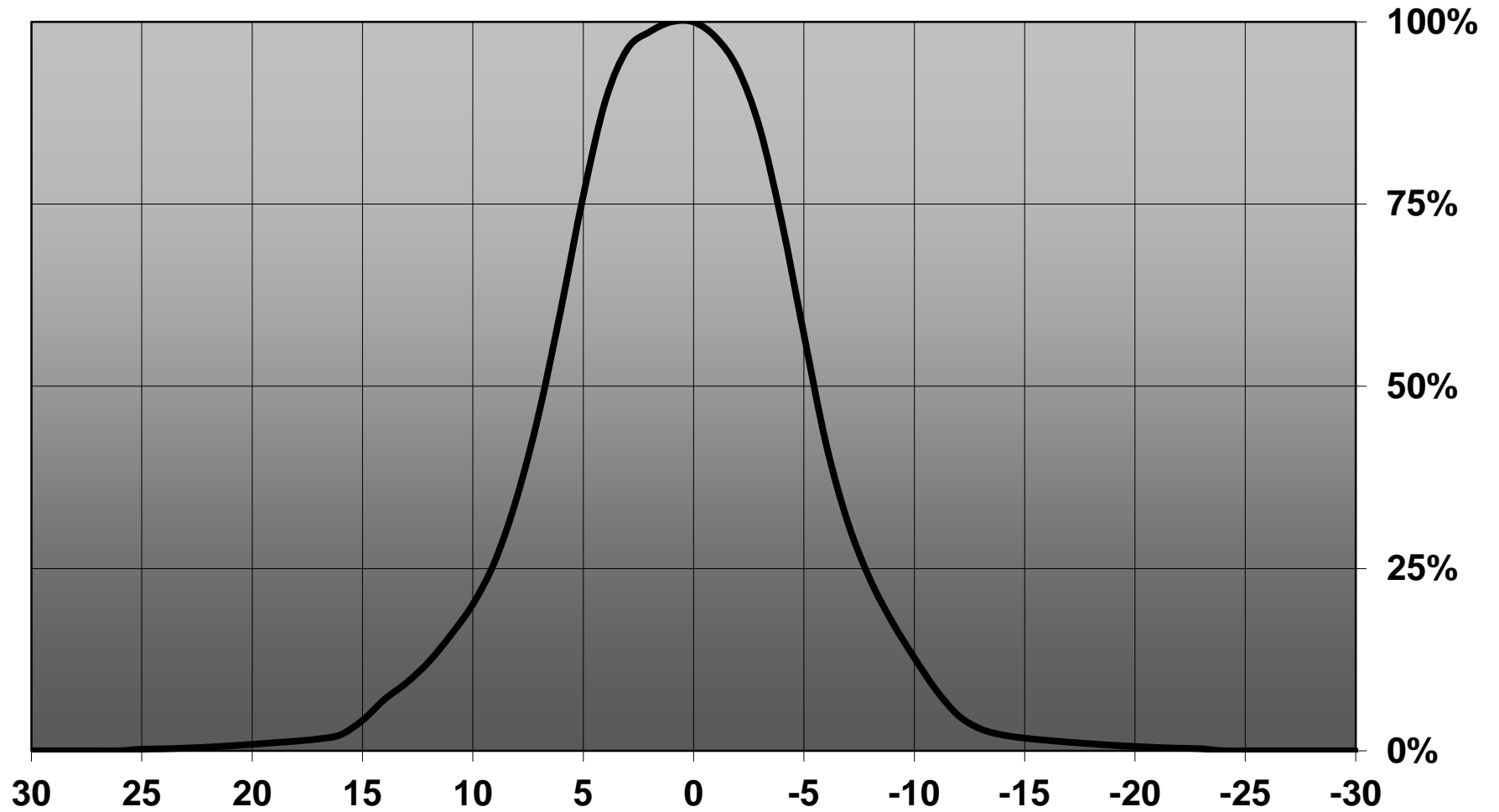
Product Number	CA12055_EVA-S
Family	Eva
Type	Assembly
Color	black
Diameter	37,7 mm
Height	17,2 mm
Style	round
Optic Material	PMMA
Holder Material	
Fastening	tape, screw
Status	production ready
ROHS Compliant	Yes
Date Updated	18/04/2017



OPTICAL PROPERTIES

LED	Viewing Angle	Light Beam	Efficiency	cd/lm	Connector
XM-L	13 deg	Spot	92 %	-	-
XM-L2	12 deg	Spot	93 %	-	-

Relative intensity of CA12055_EVA-S (XM-L2)



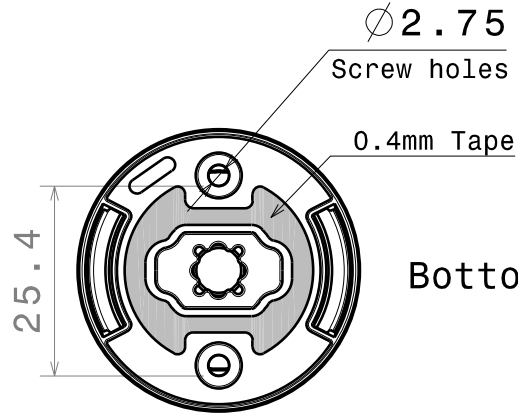
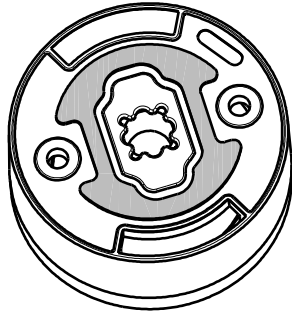
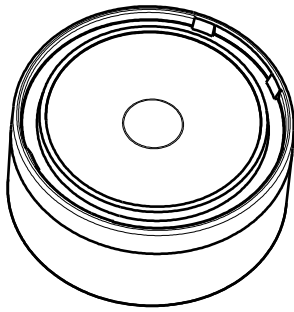
D

C

B

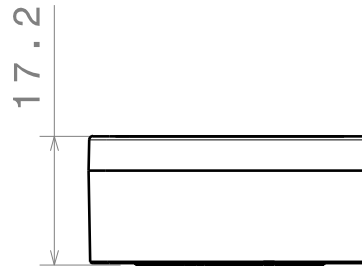
A

4



Bottom view

Isometric view

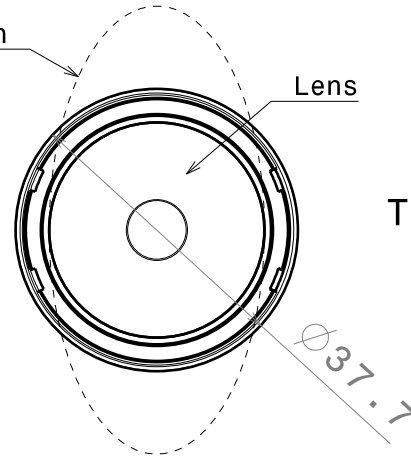


Front view

3

2

Oval beam direction



Top view

Materials:
Lens PMMA
Holder PC, BLACK
Tape Pu foam

This drawing is our property.
It can't be reproduced
or communicated without
our written agreement.



Ledil Oy
Tehdaskatu 13
FIN-24100 SALO
Finland

DRAWING TITLE

Datasheet EVA-XM-WITH-TAPE Assembly

DRAWN BY

mav

DATE

12.04.2012

CHECKED BY

sn

DATE

12.04.2012

SIZE

A4

DRAWING NUMBER

-

REV

1.0

DESIGNED BY

p1

DATE

17.02.2011

SCALE

2:1

WEIGHT (g)

SHEET

1/1

D

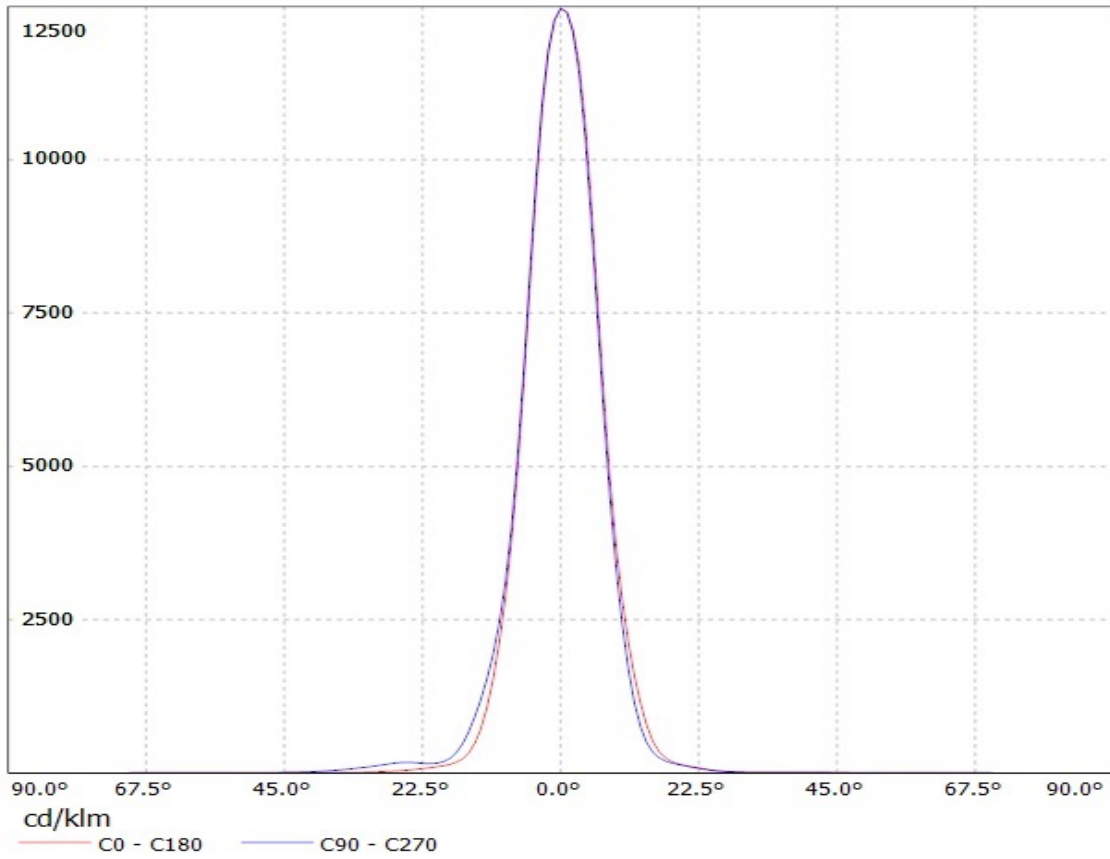
A

1

1

Ledil CA12055_Eva-S-XM-Tape CA12055_Eva-S-XM-Tape / LDC (Linear)

Luminaire: Ledil CA12055_Eva-S-XM-Tape CA12055_Eva-S-XM-Tape
Lamps: 1 x LED Module

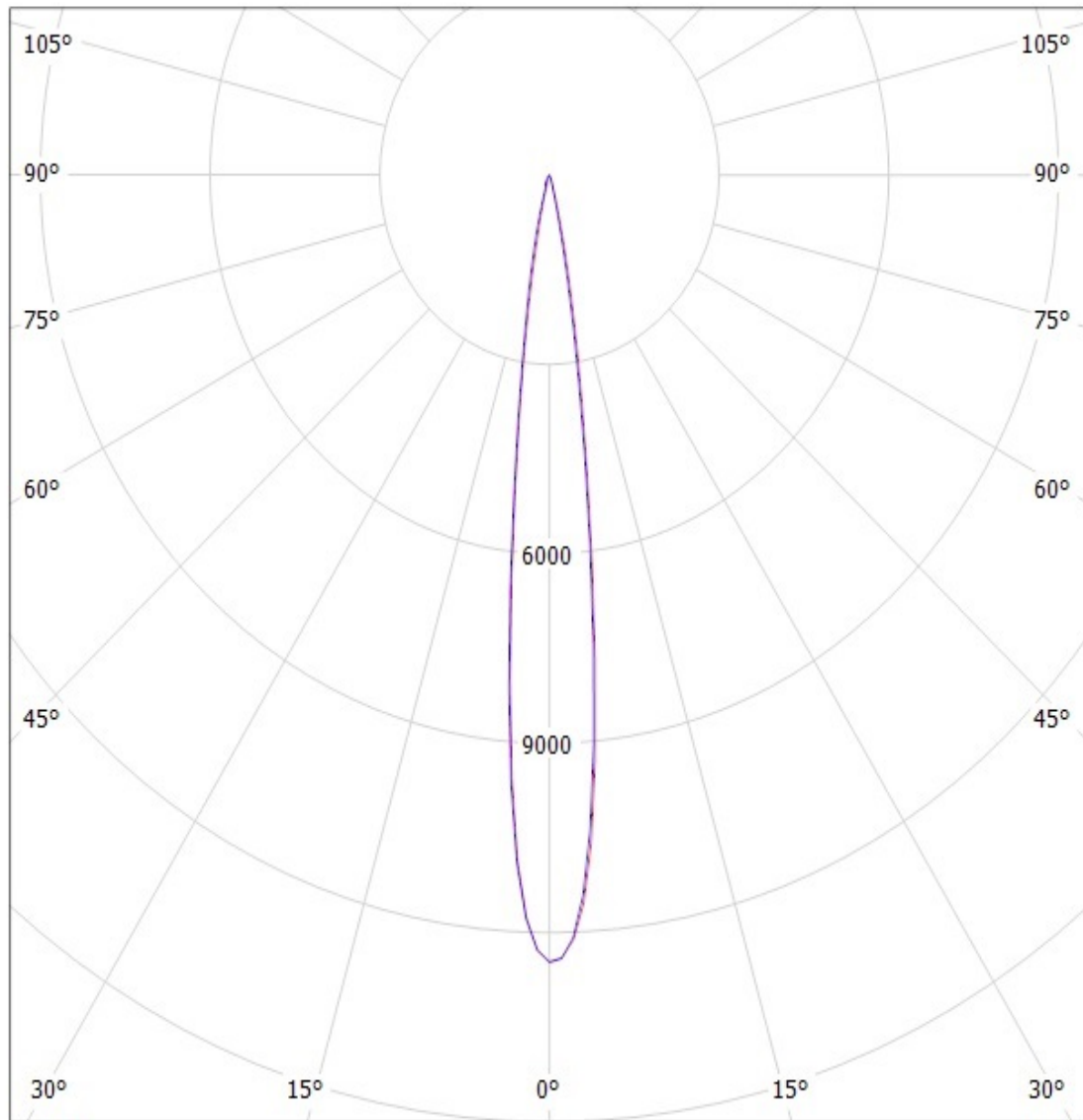


SIMULATED

Ledil CA12055_Eva-S-XM-Tape CA12055_Eva-S-XM-Tape / LDC (Polar)

Luminaire: Ledil CA12055_Eva-S-XM-Tape CA12055_Eva-S-XM-Tape

Lamps: 1 x LED Module



cd/klm

SIMULATED

— C0 - C180 — C90 - C270

NOTE: The typical divergence will be changed by different color, chip size and chip position tolerance. The typical total divergence is the full angle measured where the luminous intensity is half of the peak value.