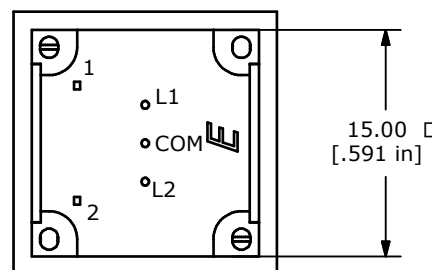
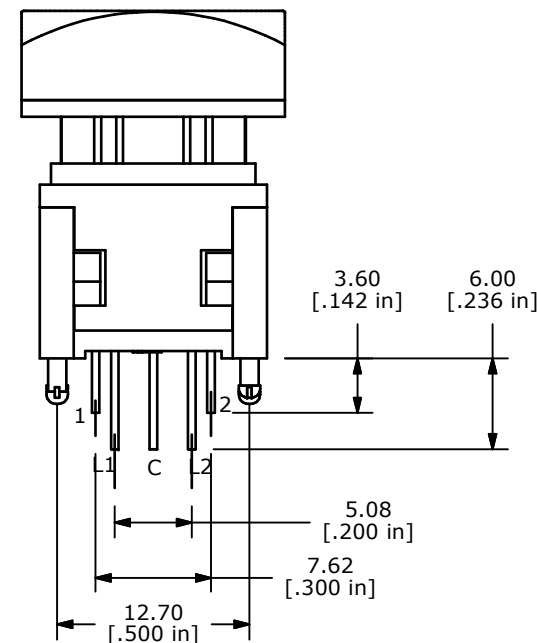
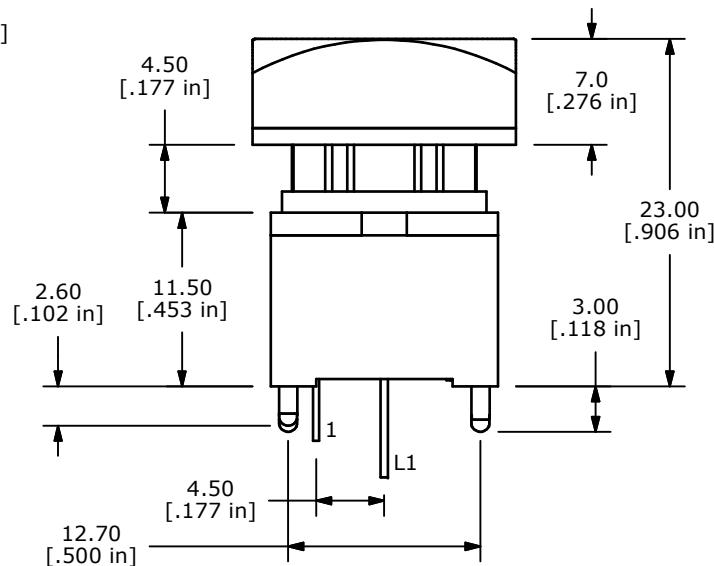
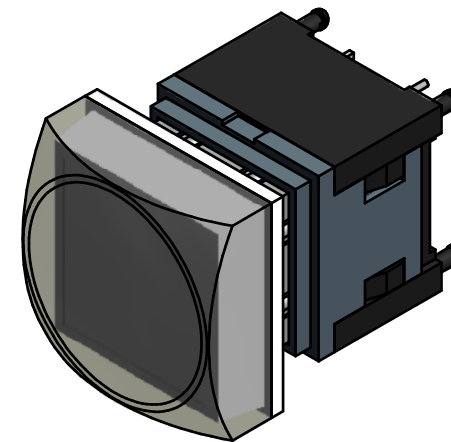
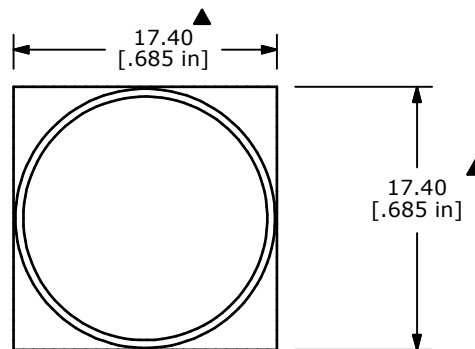


- NOTES:
1. ALL DIMENSIONS IN MM [INCH]
 2. GENERAL TOLERANCE: X.X±0.4
X.XX±0.25
 3. TERM. NOS. FOR REFERENCE ONLY.
 4. RATING: 12VDC, 100mA
 5. CONTACT MATERIAL: GOLD PLATED C
 6. CONTACT RESISTANCE: 200 Milli-OHM MAX.
 7. INSULATION RESISTANCE: 500VDC, 100 Mega-OHM MIN.
 - ▲ 8. OPERATING FORCE: 250 ± 100GF
 9. MECHANICAL LIFE: 1,000,000 CYCLES
 10. OPERATING TEMP: -20°C TO +70°C
 11. LED COLORS: RED-WHITE
 12. TRAVEL: 4.50 ± 0.20mm (MOMENTARY)
 13. 2002/95/EC (ROHS) COMPLIANT
 14. ▲ DENOTES CRITICAL PARAMETER.



LED SPECS	UNITS	RED	WHITE
FORWARD CURRENT	mA	20	20
FORWARD VOLTAGE @20mA	V	1.9-2.4	3.0-3.6
LUMINOUS INTENSITY @ 10mA	MCD	40	500

REV	PCR NO	DESCRIPTION	DATE	BY
C	21454	CHANGE CONTACT MATERIAL TO GOLD	5/13/14	EBP
B	19357	UPDATE HOUSING, COVER, PLUNGER	11/08/10	BMA
A	18698	Release For Production	11/3/09	BLR



TITLE LP110A1NCSRW

SCALE	DATE	DR	DWG	REV
2 : 1	11/3/2009	BLR	B230008	C

THE INFORMATION CONTAINED IN THIS DOCUMENT IS PROPRIETARY TO E-SWITCH AND IS NOT TO BE COPIED OR TRANSFERRED