

4

3

2

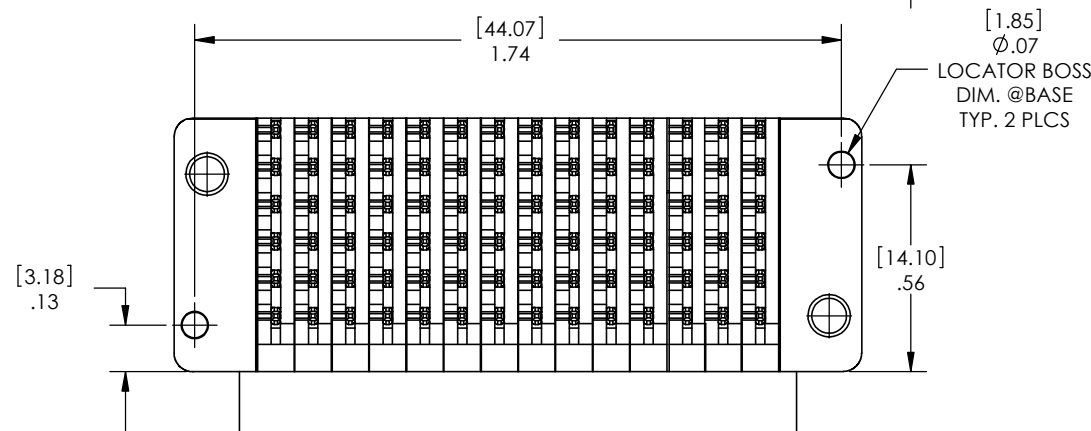
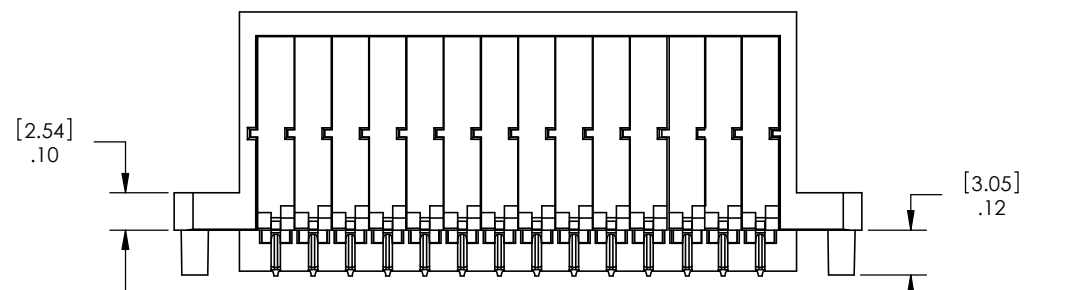
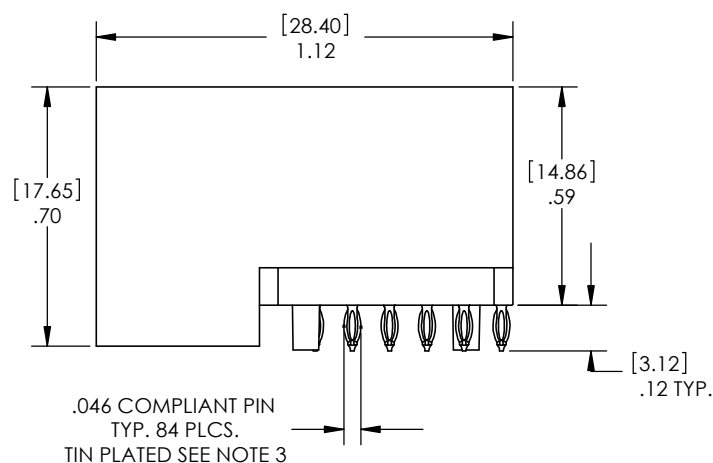
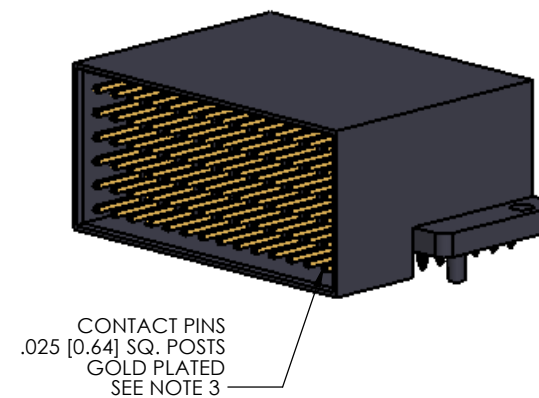
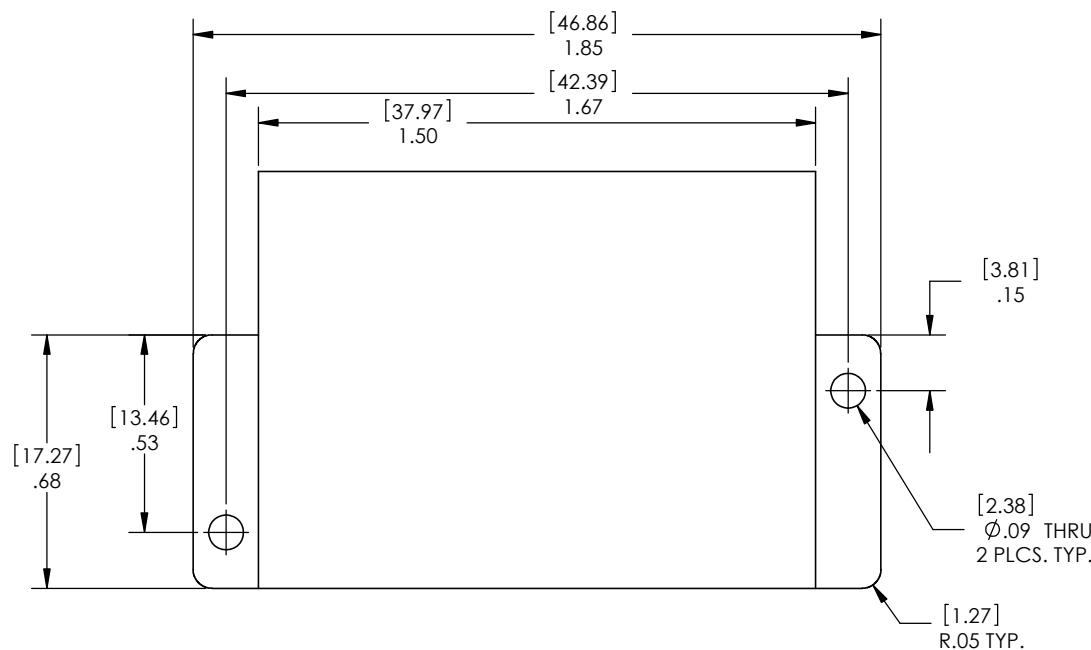
1

DO NOT SCALE DRAWING

THE INFORMATION CONTAINED HEREIN IS THE EXCLUSIVE PROPERTY OF VIRGINIA PANEL CORPORATION AND IS SUBMITTED FOR USE BY THE CUSTOMER ONLY. THE DATA SHALL NOT BE DUPLICATED, USED, OR DISCLOSED IN WHOLE OR IN PART FOR ANY PURPOSE OTHER THAN TO MAINTAIN THE EQUIPMENT PROVIDED. CONSULT WITH VIRGINIA PANEL CORPORATION ENGINEERING IF MORE DETAIL IS REQUIRED.

REVISIONS

| REV | DESCRIPTION | DATE | ENGR |
|-----|-------------|----------|---------|
| B | ECN #5477 | 9/9/2014 | J SHAND |



- 6. SEE SHEET 2 FOR NOTE.
 - 5. SEE SHEET 2 FOR NOTE.
 - 4. CONTINUOUS MAX. CARRY CURRENT 5 AMPS
 - 3. HEADER CONTACT PINS PLATED 30 MIN. MICROINCHES OF GOLD OVER 100 MIN. MICROINCHES OF NICKEL. THE COMPLIANT PINS PLATED 100-200 MICROINCHES OF TIN OVER 50 MIN. MICROINCHES OF NICKEL
 - 2. BAG (2) M2 X 8 PAN HEAD PHILLIPS SCREW & (2) M2 HEX NUTS INCLUDED WITH HEADER
 - 1. FOR APPLICATION USE & CARE INFORMATION CONSULT VPC USERS GUIDE @WWW.VPC.COM
- NOTES:

DIMENSIONS ARE SHOWN AS:
[MILLIMETERS]
INCHES

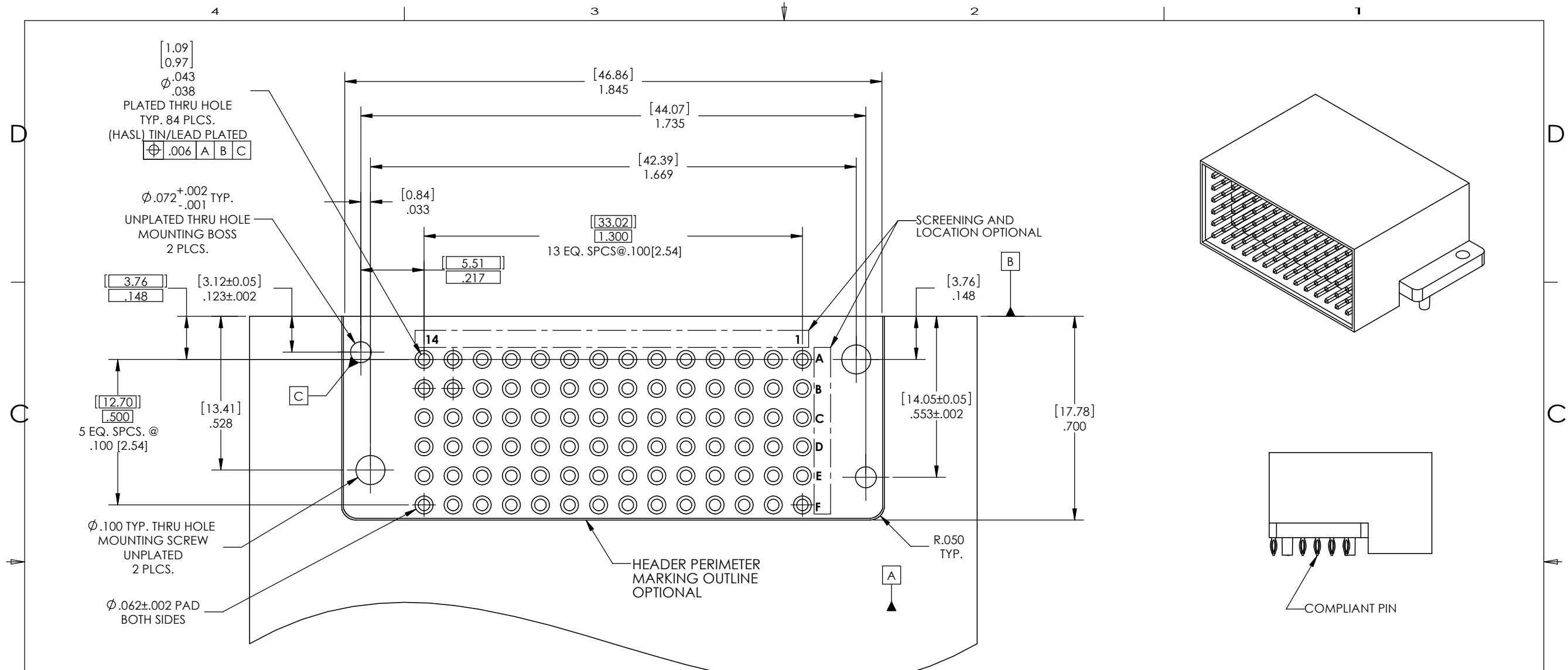
| | | | |
|---|-----------|------------------|--------------|
| CUSTOMER DRAWING | | | |
| VIRGINIA PANEL CORPORATION <small>WWW.VPC.COM</small> | | | |
| MODULE HDR 84 POSITION RT ANG COMP PIN | | | |
| SIZE | CAGE CODE | DWG. NO. | REV |
| C | 18117 | 510109204 | B |
| SCALE: 3:1 | 510109204 | 10/12/2009 | SHEET 1 OF 2 |

4

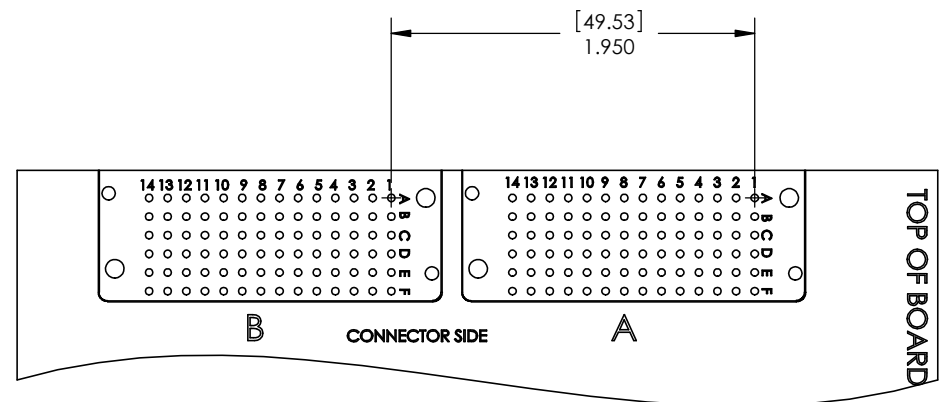
3

2

1



PCB LAYOUT AND MOUNTING
 MODULE HEADER 84 POSITION RIGHT ANGLE WITH COMPLIANT PIN



2 MODULE LAYOUT FOR 310130101 RECEIVER

6. RECOMMENDED PCB LAYOUT
 CONNECTOR MOUNTS THIS SIDE
 BOARD THICKNESS = [1.57] .062 OR [2.29] .090
 DIMENSION TOLERANCE = ±[.13].005 UNLESS OTHERWISE SPECIFIED

5. FOR APPLICATION USE AND CARE INFORMATION CONSULT VPC USERS GUIDE @ WWW.VPC.COM

NOTES:
 DO NOT SCALE DRAWING

CUSTOMER DRAWING - CUSTOMER DRAWING - CUSTOMER DRAWING

THE INFORMATION CONTAINED HEREIN IS THE EXCLUSIVE PROPERTY OF VIRGINIA PANEL CORPORATION AND IS SUBMITTED FOR USE BY THE CUSTOMER ONLY. THE DATA SHALL NOT BE DUPLICATED, USED, OR DISCLOSED IN WHOLE OR IN PART FOR ANY PURPOSE OTHER THAN TO MAINTAIN THE EQUIPMENT PROVIDED.

| | | | |
|------------|--------------------|-----------------------------|--------------|
| SIZE C | CAGE CODE 18117 | DWG.NO. 510109204 | REV B |
| SCALE: 2:1 | | 510109204 | SHEET 2 OF 2 |