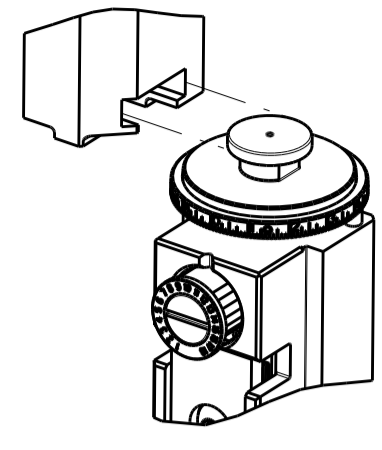


ATLANTIC VERSION TERMINATOR INTERFACE ADAPTER	PART NUMBER	REVISION	DESCRIPTION	FEED TYPE	APPLICATOR STYLE CONVERSION CHART						
					CONVERT TO	PART NUMBERS REQUIRED					
	2150299-2	B	FINE CRIMP HEIGHT ADJUST	PNEUMATIC	-	-	2063961-1	-	2119653-1	-	-
					SERVO LATCH PLATE	2119951-1	1901697-1	8-2150299-5	-	-	2168400-7 (QUANTITY 2)
	2150299-5	B	FINE CRIMP HEIGHT ADJUST	SERVO LATCH PLATE	-	-	2063961-1	-	2119653-1	-	-
	2150299-6	B	NON-CRIMP HEIGHT ADJUST	SERVO LATCH PLATE	-	-	-	-	-	-	-
	2150299-7	B	FINE CRIMP HEIGHT ADJUST	NONE	-	-	-	-	-	-	-
	7-2150299-7	A	CRIMP TOOLING KIT	-	-	-	-	-	-	-	-

**APPLICATOR DATA**

CRIMP	SIZE	TYPE
WIRE	2.64 mm [.104]	F
INSUL	3.56 mm [.140]	OV

APPL INSTRUCTIONS  
408-10390

**TERMINAL DATA: LEAR TERMINAL LEAR CRIMP SPECIFICATION**

TERMINAL NAME: CLAW TERMINAL RING TONGUE

WIRE STRIP LENGTH	INSULATION DIAMETER RANGE
5.20-6.00 mm [.205-.236 IN]	Ø1.50-2.00 mm [.059-.079 IN]

TERMINAL APPLICATION SPECIFICATION: NONE Rev -

TERMINALS APPLIED

TE TERMINAL	LEAR TERMINAL	TE TERMINAL	LEAR TERMINAL
1572432-1	25207.213.004	1572432-8	25207.122.XXX
1572432-2	25207.213.320	1572432-9	25207.212.179
1572432-3	25207.123.014	1-1572432-0	25207.411.131
1572432-4	25207.123.011		
1572432-5	25207.123.322		
1572432-6	25207.123.009		
1572432-7	25207.213.011		

**TERMINAL DATA: LEAR TERMINAL LEAR CRIMP SPECIFICATION**

TERMINAL NAME: CLAW TERMINAL RING TONGUE

WIRE STRIP LENGTH	INSULATION DIAMETER RANGE
5.00-6.00 mm [.197-.236 IN]	Ø1.30-2.10 mm [.051-.083 IN]

TERMINAL APPLICATION SPECIFICATION: LEAR DATA SHT 25209 REVISION 12

TERMINALS APPLIED

TE TERMINAL	LEAR TERMINAL	TE TERMINAL	LEAR TERMINAL
1949484-1	25209.123.009	1949484-3	25209.212.179
1949484-2	25209.123.011	1949484-4	25209.213.011

**WIRE CRIMP HEIGHT CRIMP HEIGHT REFERENCE SETTING**

WIRE SIZE	CRIMP HEIGHT mm [INCH]	CRIMP HEIGHT REFERENCE SETTING
1.00mm2	1.95+/-0.05 [.077+/- .002]	4.0
0.75mm2	1.85+/-0.05 [.073+/- .002]	5.3
0.50mm2	1.80+/-0.05 [.071+/- .002]	5.8
0.35mm2	1.73+/-0.05 [.068+/- .002]	6.0

**WIRE CRIMP HEIGHT CRIMP HEIGHT REFERENCE SETTING**

WIRE SIZE	CRIMP HEIGHT mm [INCH]	CRIMP HEIGHT REFERENCE SETTING
2x 0.50	1.90+/-0.05 [.075+/- .002]	4.5
1.00mm2	1.80+/-0.05 [.071+/- .002]	5.8
0.75mm2	1.75+/-0.05 [.069+/- .002]	6.3
2x 0.35	1.70+/-0.05 [.067+/- .002]	6.7
0.50mm2	1.70+/-0.05 [.067+/- .002]	6.7

- 1 RECOMMENDED SPARE PARTS
- 2 GREASE BEARING SURFACES LIGHTLY
- 3 LUBRICATE DAILY PER THE APPLICATOR INSTRUCTION SHEET SUPPLIED WITH THE APPLICATOR.
- 4 APPLICATOR SPECIFIC DATA TO BE ENTERED INTO BLANK MEMORY CHIP AT ASSEMBLY. SEE BELOW FOR PART NUMBER:  
PNEUMATIC FEED WITH "SMART APPLICATOR" CONVERSION: 8-2150299-4  
SERVO FEED WITH "FINE CRIMP HEIGHT ADJUST": 8-2150299-5  
SERVO FEED WITH "NON-CRIMP HEIGHT ADJUST": 8-2150299-6
- 5 ADJUSTMENT OF THE STRIPPER MAY BE REQUIRED WHEN MOVING THE APPLICATOR BETWEEN BENCH AND LEADMAKER APPLICATIONS.
- 6 APPLY PART NUMBER 1-23419-5 LOCTITE TO THREADS OF ITEMS 50,62. APPLY PART NUMBER 2-23419-6 LOCTITE TO THREADS OF ITEMS 242. FOR -6 ONLY APPLY PART NUMBER 1-23419-5 LOCTITE TO THREADS OF ITEM 37.
- 7 GREASE THREADS, GROOVE AND O-RING ON ITEMS 35 & 252.
- 8 MAGNET, ITEM 166 MUST BE ORIENTED CORRECTLY IN ORDER TO PROPERLY ACTUATE THE COUNTER.
- 9 CRIMP HEIGHT REFERENCE SETTING WAS THE SETTING USED WHEN THE APPLICATOR WAS QUALIFIED AT THE FACTORY. ADJUSTMENT MAY BE NECESSARY WHEN RUNNING APPLICATOR IN THE FIELD.
- 10 TERMINAL PITCH NOT COMPATIBLE WITH MECHANICAL FEED.
- 11 WHEN ASSEMBLING -6 NON-CRIMP HEIGHT ADJUST APPLICATOR USE SHIM PACK 2119957-2 TO ALIGN APPLICATOR'S MAXIMUM WIRE CRIMP HEIGHT AT NORMAL TERMINATOR SHUT HEIGHT


**\*WARNING**  
ON INSTALLATION, SET WIRE DISC, ITEM 40 TO LARGEST WIRE SIZE SETTING. USE OF SETTINGS BELOW MINIMUM REQUIRED CRIMP HEIGHT SETTING WILL CAUSE DAMAGE TO CRIMP TOOLING.

-	-	1	-	-	2119957-2	APPLICATOR SHIM PACK	260
-	1	-	1	1	8-21084-0	O-RING, .676 ID, .070 DIA. MAT.	252
-	-	-	-	1	2119640-1	PUSH ROD, AIR FEED	250
-	-	-	-	1	2079988-1	BUSHING, LCH5-12, MISUMI	249
-77	-7	-6	-5	-2	PART NO	DESCRIPTION	ITEM NO

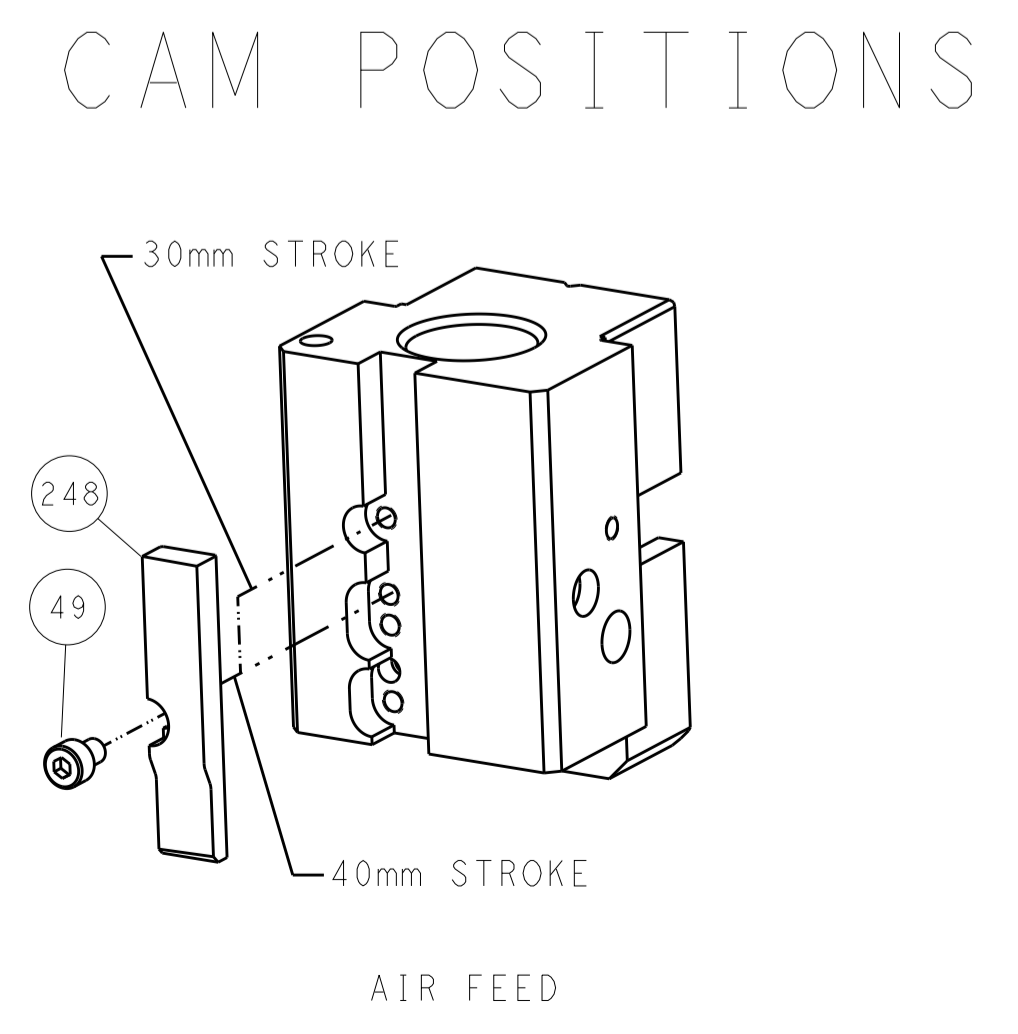
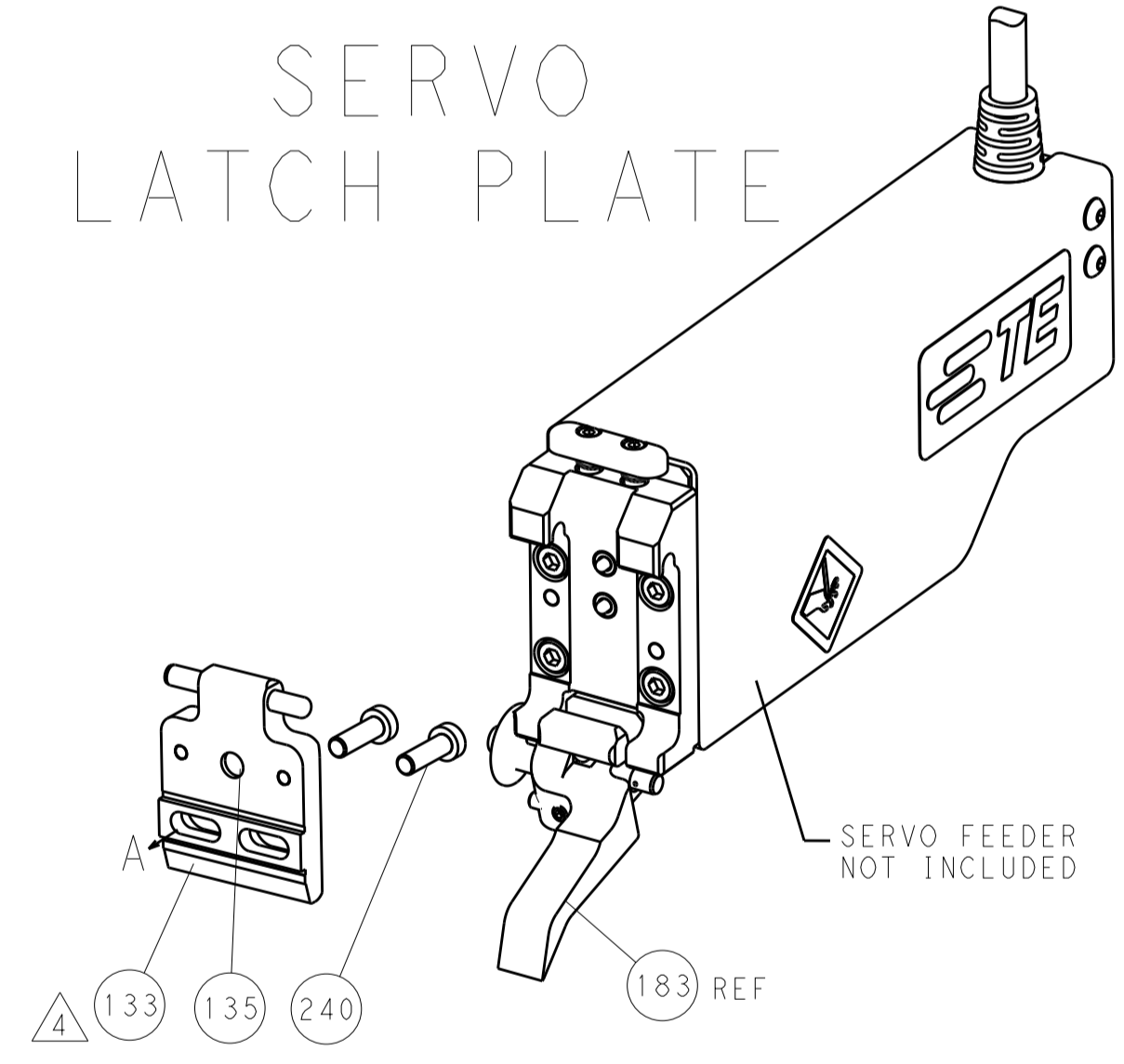
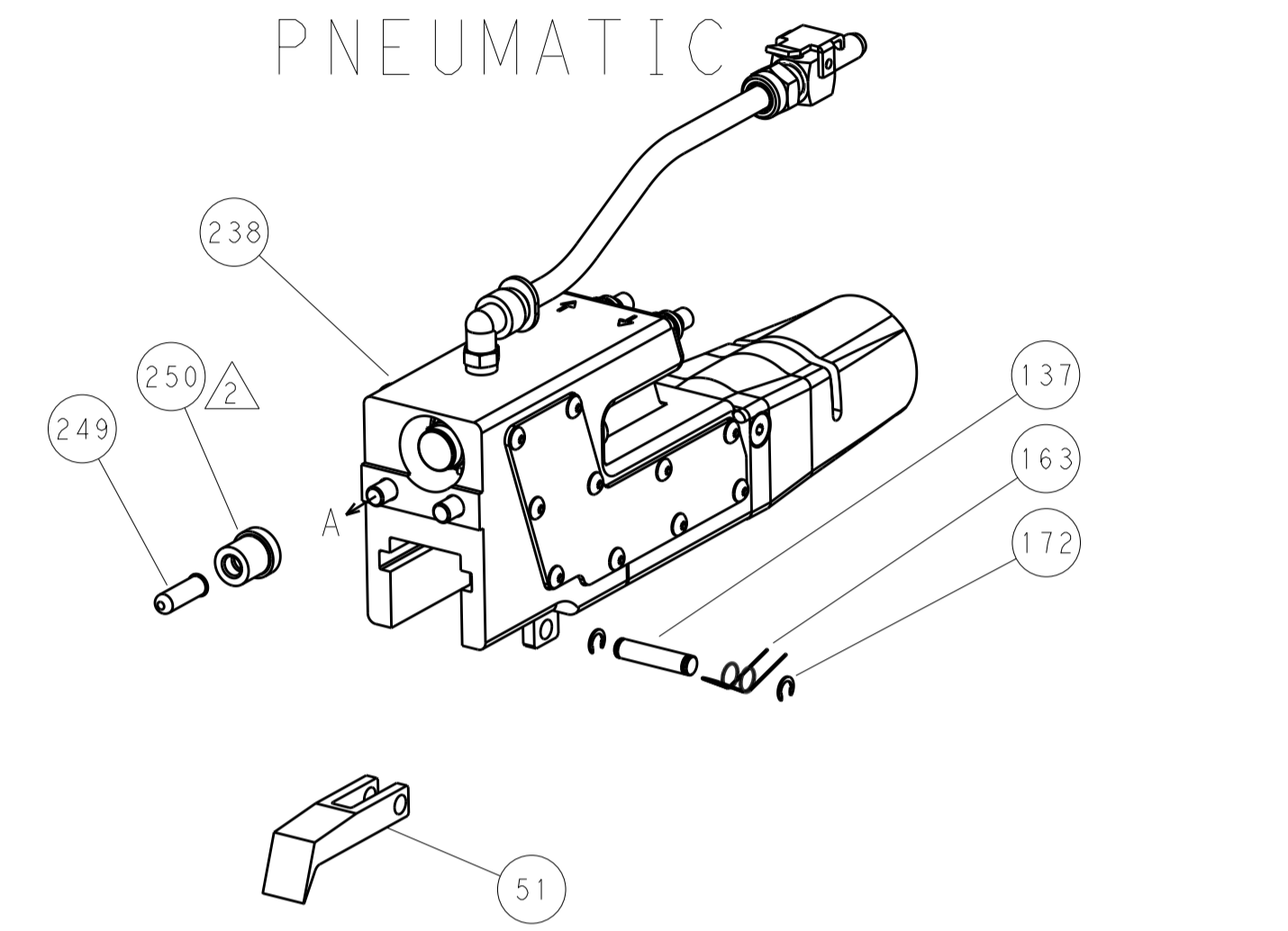
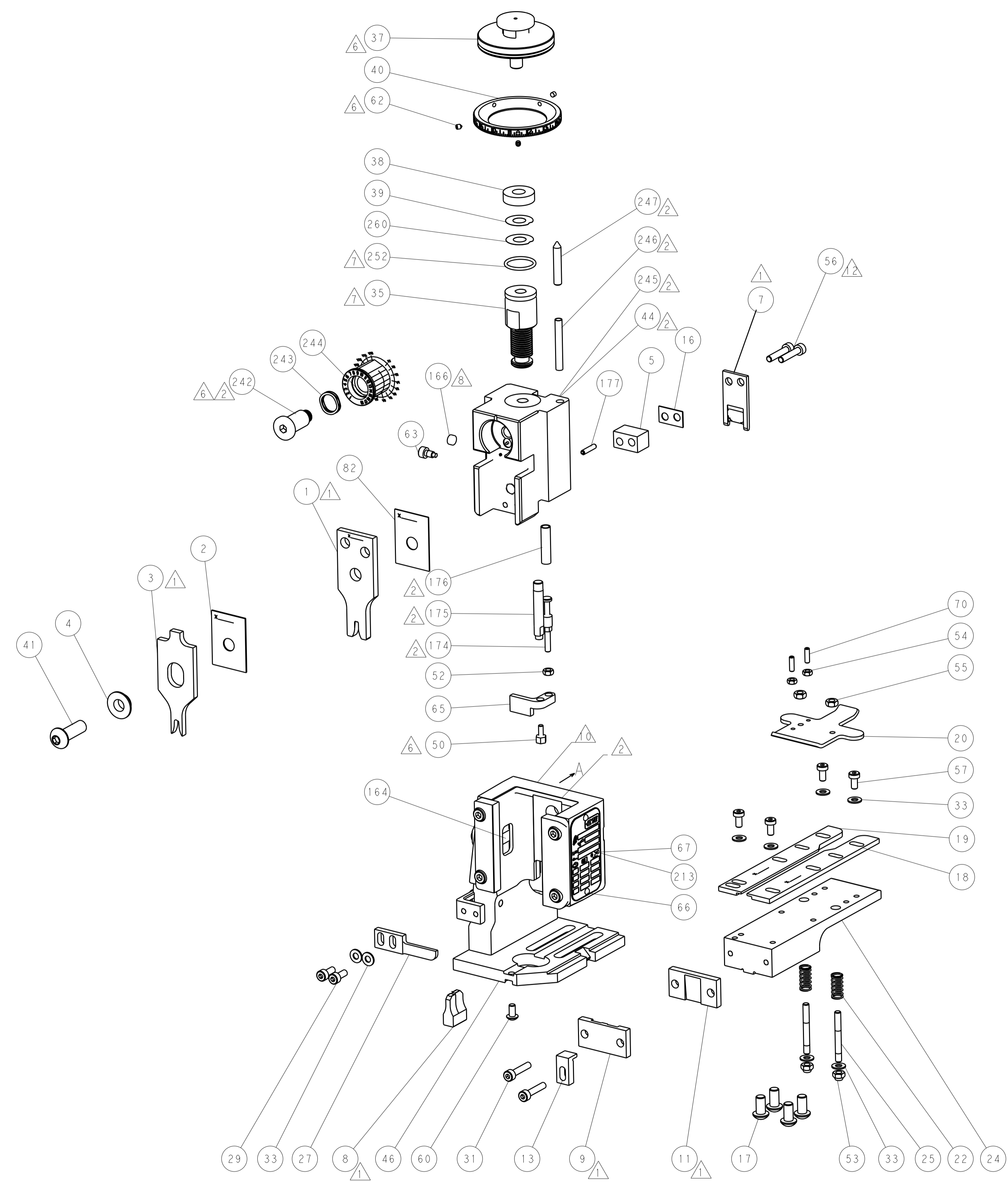
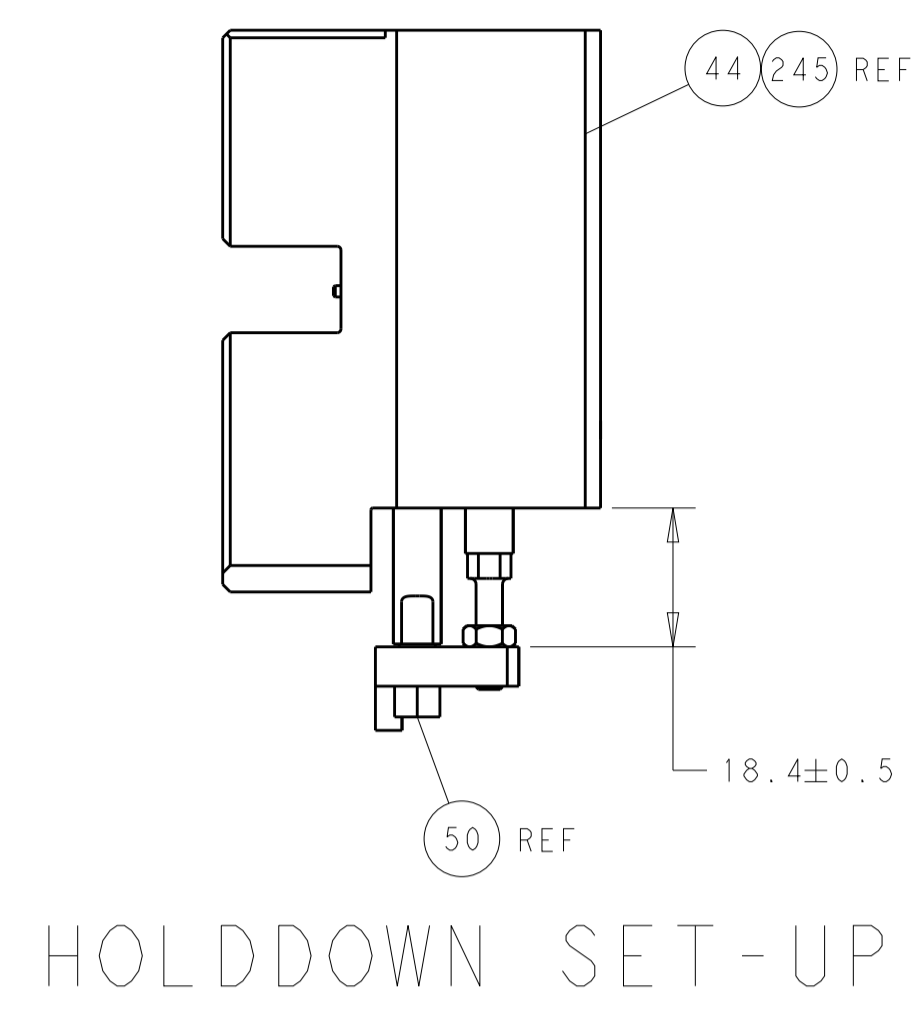
**ATLANTIC VERSION**  
Shown on sheets 1 of 4 & 2 of 4  
(Pacific version shown on sheets 3 of 4 & 4 of 4)

SET UP GAUGE 2119599-2	LOC A	DIST 66	REVISIONS			
			REV	DATE	BY	APPD
			B	ECR-14-01752	24NOV2014	RK GB
			B1	ECR-16-005465	14APR2016	RS LZ

-	-	-	-	1	2119641-1	FEED CAM, AIR FEED	248
-	1	-	1	1	2119798-1	DETENT PIN	247
-	1	-	1	1	1-22279-3	SPRING, COMPRESSION	246
-	-	1	-	-	2119759-1	RAM, AMP STYLE, END FEED, NON-ADJUST	245
-	1	1	1	1	2119082-8	CAM, SNAIL, INSULATION ADJUSTMENT	244
-	1	1	1	1	2079764-1	WASHER, WAVE SPRING, CREST-TO-CREST	243
-	1	1	1	1	2119083-1	RETAINER, INSULATION DIAL	242
-	-	2	2	-	2168400-7	SHCS, LOW HEAD, RoHS, M5 X 10	240
-	-	-	-	1	2063440-2	AIR FEED MODULE	238
-	-	1	1	-	2119740-2	TAG, IDENTIFICATION	213
-	-	REF	REF	-	1901697-1	FEED FINGER ASSEMBLY, EF	183
-	1	1	1	1	6-993111-6	PIN, SLOTTED SPRING 3.0 X 14.0	177
-	1	1	1	1	8-22280-7	SPRING, COMPRESSION	176
-	1	1	1	1	1752353-2	GUIDE PIN, HOLDDOWN	175
-	1	1	1	1	1901680-2	GUIDE PIN, HOLDDOWN	174
-	-	-	-	2	21045-3	RING, RETAIN, EXTERN, 3/16 CRESCENT	172
-	1	1	1	1	994969-1	MAGNET, RARE EARTH HIGH ENERGY	166
-	REF	REF	REF	REF	994970-2	COUNTER, MAGNETIC	164
-	-	-	-	1	240638-1	SPRING, FEED FINGER	163
-	-	-	-	1	3-23627-7	PIN, RETAIN, GRVD, 3/16 X .854	137
-	-	REF	REF	-	SEE NOTE 4	MEMORY CHIP, PROGRAMMED	135
-	-	1	1	-	1633743-1	SERVO FEED LATCH ASM	133
-	1	1	1	1	455888-4	SPACER, CRIMPER	82
-	1	1	1	1	2119956-2	DOCUMENTATION PACKAGE	71
-	2	2	2	2	2-18032-2	SCR, SET, FLT POINT M3 X 10.0	70
-	1	-	-	1	2119740-1	TAG, IDENTIFICATION	67
-	2	2	2	2	2168078-1	SCREW, DRIVE, RH, RoHS, 2 x .188	66
-	1	1	1	1	1901681-1	HOLDDOWN, TERMINAL	65
-	1	-	1	1	2119793-1	LIMITER, ADJUSTMENT BOLT	63
-	3	-	3	3	992763-5	SCR, SET, SOC, CONE POINT, M3 X 4.0	62
-	1	1	1	1	2079383-4	SCR, BHSC, RoHS (M4 X 8)	60
-	-	-	-	-	2063961-1	FEED FINGER	58
-	4	4	4	4	2168400-4	SHCS, LOW HEAD, RoHS, M4 X 8	57
-	2	2	2	2	2168083-9	SCR, SKT HD CAP, RoHS, M4 X 20	56
-	2	2	2	2	5018030-2	NUT, HEX, REG, RoHS, M4	55
-	2	2	2	2	5018030-1	NUT, HEX, REG, RoHS, M3	54
-	2	2	2	2	986965-8	NUT, LOCK, HEX, TORQUE (M4)	53
-	1	1	1	1	1-5018030-0	NUT, HEX, REG, RoHS, M3.5	52
-	-	-	-	1	2119792-2	PAWL, EF, AIR	51
-	1	1	1	1	1752354-1	STANDOFF, HOLD-DOWN	50
-	-	-	-	1	18023-9	SCR, SKT HD CAP M4 X 6.0	49
-	1	1	1	1	2119655-5	APPLICATOR BASIC ASSEMBLY, EF	46
-	1	-	1	1	2119369-1	RAM, AMP STYLE, END FEED	44
-	1	1	1	1	2079383-7	SCR, BHSC, RoHS (M8 X 25)	41
-	1	-	1	1	2119645-1	DISC, NUMBERED FA WIRE ADJUSTMENT	40
-	1	-	1	1	2119957-1	APPLICATOR SHIM PACK	39
-	1	1	1	1	2119644-1	RAM WASHER, PRECISION	38
-	1	1	1	1	2119085-1	FA HEAD, ATLANTIC STYLE	37
-	1	-	1	1	2119092-1	BOLT, ADJUSTMENT	35
-	8	8	8	8	1-18028-2	WASHER, FLAT, REG M4	33
-	2	2	2	2	2168083-9	SCR, SKT HD CAP, RoHS, M4 X 20	31
-	2	2	2	2	1-2168083-0	SCR, SKT HD CAP, RoHS, M4 X 10	29
-	1	1	1	1	240639-1	STRIPPER (MACHINING)	27
-	2	2	2	2	1320906-1	STUD, THREADED	25
-	1	1	1	1	1752371-5	PLATE, STRIP GUIDE	24
-	2	2	2	2	2-22281-3	SPRING, COMPRESSION	22
-	1	1	1	1	1752373-4	DRAG	20
-	1	1	1	1	1-1901696-5	STRIP GUIDE, REAR	19
-	1	1	1	1	1-1901695-5	STRIP GUIDE, FRONT	18
-	4	4	4	4	1-2079383-1	SCR, BHSC, RoHS (M6 X 12)	17
-	1	1	1	1	6-240641-6	SPACER	16
-	1	1	1	1	1752360-1	SPACER, HOLD-DOWN	13
-	1	1	1	1	240644-1	PLATE, REAR SHEAR	11
-	-	-	-	-	-	-	10
-	1	1	1	1	690482-4	PLATE, FRONT SHEAR	9
-	1	1	1	1	2-1803000-3	ANVIL, COMBINATION, END FEED	8
-	1	1	1	1	1-2217206-2	BLADE, SLUG	7
-	-	-	-	-	-	-	6
-	1	1	1	1	2-240641-6	SPACER	5
-	1	1	1	1	3-238009-3	BLOCK, FL CRIMPER SPACER	4
-	1	1	1	1	1-2119785-7	CRIMPER, INSULATION OVERLAP PREMIUM	3
-	1	1	1	1	455888-6	SPACER, CRIMPER	2
-	1	1	1	1	4-1633664-7	CRIMPER, WIRE	1
-77	-7	-6	-5	-2	PART NO	DESCRIPTION	ITEM NO

THIS DRAWING IS UNPUBLISHED. RELEASED FOR PUBLICATION. BY TYCO ELECTRONICS CORPORATION. ALL RIGHTS RESERVED.	DRAWN K. STAKEM	28NOV2012	 TE Connectivity Harrisburg, PA 17105-3608	
	CHEK G. BAILEY	28NOV2012	NAME Ocean End Feed Applicator	
	APVD T. ELBIN	28NOV2012	SIZE A	
DIMENSIONS: mm	TOLERANCES UNLESS OTHERWISE SPECIFIED: 0 PLC ± 1 PLC ± 3 PLC ± 4 PLC ± ANGLES ±	PRODUCT SPEC APPLICATION SPEC	RECTIFIED TO	
MATERIAL :	FINISH :	WEIGHT :	SCALE 1:1	SHEET 1 of 4
Customer Accessible Production Drawing		REV B1		

LOC		DIST		REVISIONS			
A	66	P	LTM	DESCRIPTION	DATE	OWN	APVD
		-	-	SEE SHEET 1	-	-	-



ATLANTIC VERSION  
 Shown on sheets 1 of 4 & 2 of 4  
 (Pacific version shown on sheets 3 of 4 & 4 of 4)

DIMENSIONS:		TOLERANCES UNLESS OTHERWISE SPECIFIED:		DWN: K. STAKEM 28NOV2012		TE Connectivity	
mm	0 PLC	±		CHK: G. BAILEY 28NOV2012	NAME: Ocean End Feed Applicator		TE Connectivity Harrisburg, PA 17105-3608
	1 PLC	±		APVD: T. ERLIN 28NOV2012	SIZE: CAGE CODE: DRAWING NO: A11 00779 ©=2150299		RESTRICTED TO:
	2 PLC	±			SCALE: 1:1 SHEET 2 OF 4		REV: B1
	3 PLC	±			Customer Accessible Production Drawing		
	4 PLC	±					
	ANGLES	±					
MATERIAL:	FINISH:						

PACIFIC VERSION TERMINATOR INTERFACE ADAPTER	PART NUMBER	REVISION	DESCRIPTION	FEED TYPE	APPLICATOR STYLE CONVERSION CHART						
					CONVERT TO	PART NUMBERS REQUIRED					
	2-2150299-2	B	FINE CRIMP HEIGHT ADJUST	PNEUMATIC	-	-	2063961-1	-	-	-	-
					SERVO LATCH PLATE SMART APPLICATOR	2119951-1	1901697-1	8-2150299-5	-	-	2168400-7 (QUANTITY 2)
	2-2150299-5	B	FINE CRIMP HEIGHT ADJUST	SERVO LATCH PLATE	-	-	2063961-1	-	-	-	-
					PNEUMATIC FEED	2119950-1	2119792-2	-	2119641-2	-	2063440-2
2-2150299-7	B	FINE CRIMP HEIGHT ADJUST	NONE	-	-	-	-	-	-	-	
7-2150299-7	A	CRIMP TOOLING KIT	-	-	-	-	-	-	-	-	

APPLICATOR DATA		
CRIMP	SIZE	TYPE
WIRE	2.64 mm [1.041]	F
INSUL	3.56 mm [1.401]	OV
APPL INSTRUCTIONS 408-10390		

TERMINAL DATA: LEAR TERMINAL LEAR CRIMP SPECIFICATION			
TERMINAL NAME: CLAW TERMINAL RING TONGUE			
WIRE STRIP LENGTH 5.20-6.00 mm [1.205-.236 IN]		INSULATION DIAMETER RANGE Ø1.50-2.00 mm [0.059-.079 IN]	
TERMINAL APPLICATION SPECIFICATION	NONE Rev -	-	-
TERMINALS APPLIED			
TE TERMINAL	LEAR TERMINAL	TE TERMINAL	LEAR TERMINAL
1572432-1	25207.213.004	1572432-8	25207.122.XXX
1572432-2	25207.213.320	1572432-9	25207.212.179
1572432-3	25207.123.014	1-1572432-0	25207.411.131
1572432-4	25207.123.011		
1572432-5	25207.123.322		
1572432-6	25207.123.009		
1572432-7	25207.213.011		

TERMINAL DATA: LEAR TERMINAL LEAR CRIMP SPECIFICATION			
TERMINAL NAME: CLAW TERMINAL RING TONGUE			
WIRE STRIP LENGTH 5.00-6.00 mm [1.97-.236 IN]		INSULATION DIAMETER RANGE Ø1.30-2.10 mm [0.051-.083 IN]	
TERMINAL APPLICATION SPECIFICATION	LEAR DATA SHT 25209 REVISION 12	-	-
TERMINALS APPLIED			
TE TERMINAL	LEAR TERMINAL	TE TERMINAL	LEAR TERMINAL
1949484-1	25209.123.009	1949484-3	25209.212.179
1949484-2	25209.123.011	1949484-4	25209.213.011

WIRE SIZE	CRIMP HEIGHT mm [INCH]	CRIMP HEIGHT REFERENCE SETTING
1.00mm2	1.95+/-0.05 [1.077+/-0.002]	4.0
0.75mm2	1.85+/-0.05 [1.073+/-0.002]	5.3
0.50mm2	1.80+/-0.05 [1.071+/-0.002]	5.8
0.35mm2	1.73+/-0.05 [1.068+/-0.002]	6.0

WIRE SIZE	CRIMP HEIGHT mm [INCH]	CRIMP HEIGHT REFERENCE SETTING
2x 0.50	1.90+/-0.05 [1.075+/-0.002]	4.5
1.00mm2	1.80+/-0.05 [1.071+/-0.002]	5.8
0.75mm2	1.75+/-0.05 [1.069+/-0.002]	6.3
2x 0.35	1.70+/-0.05 [1.067+/-0.002]	6.7
0.50mm2	1.70+/-0.05 [1.067+/-0.002]	6.7

- RECOMMENDED SPARE PARTS
- GREASE BEARING SURFACES LIGHTLY
- LUBRICATE DAILY PER THE APPLICATOR INSTRUCTION SHEET SUPPLIED WITH THE APPLICATOR.
- APPLICATOR SPECIFIC DATA TO BE ENTERED INTO BLANK MEMORY CHIP AT ASSEMBLY. SEE BELOW FOR PART NUMBER:  
 PNEUMATIC FEED WITH "SMART APPLICATOR" CONVERSION: 8-2150299-4  
 SERVO FEED WITH "FINE CRIMP HEIGHT ADJUST": 8-2150299-5
- ADJUSTMENT OF THE STRIPPER MAY BE REQUIRED WHEN MOVING THE APPLICATOR BETWEEN BENCH AND LEADMAKER APPLICATIONS.
- APPLY PART NUMBER 1-23419-5 LOCTITE TO THREADS OF ITEMS 50, 62. APPLY PART NUMBER 2-23419-6 LOCTITE TO THREADS OF ITEMS 242.
- GREASE THREADS, GROOVE AND O-RING ON ITEMS 139 & 153.
- MAGNET, ITEM 166 MUST BE ORIENTED CORRECTLY IN ORDER TO PROPERLY ACTUATE THE COUNTER.
- CRIMP HEIGHT REFERENCE SETTING WAS THE SETTING USED WHEN THE APPLICATOR WAS QUALIFIED AT THE FACTORY. ADJUSTMENT MAY BE NECESSARY WHEN RUNNING APPLICATOR IN THE FIELD.
- TERMINAL PITCH NOT COMPATIBLE WITH MECHANICAL FEED.
- CUT TO LENGTH AT ASSEMBLY.
- STRIP GUIDES ADJUSTMENTS MAY BE REQUIRED WHEN SWITCHING TERMINALS.

**\*WARNING**  
 ON INSTALLATION, SET WIRE DISC, ITEM 40 TO LARGEST WIRE SIZE SETTING. USE OF SETTINGS BELOW MINIMUM REQUIRED CRIMP HEIGHT SETTING WILL CAUSE DAMAGE TO CRIMP TOOLING.

-	1	1	1	2119782-1	FINE ADJUST HEAD ASM, PACIFIC STYLE	251
-	-	-	1	2119640-1	PUSH ROD, AIR FEED	250
-	77	27	25-22	PART NO	DESCRIPTION	ITEM NO

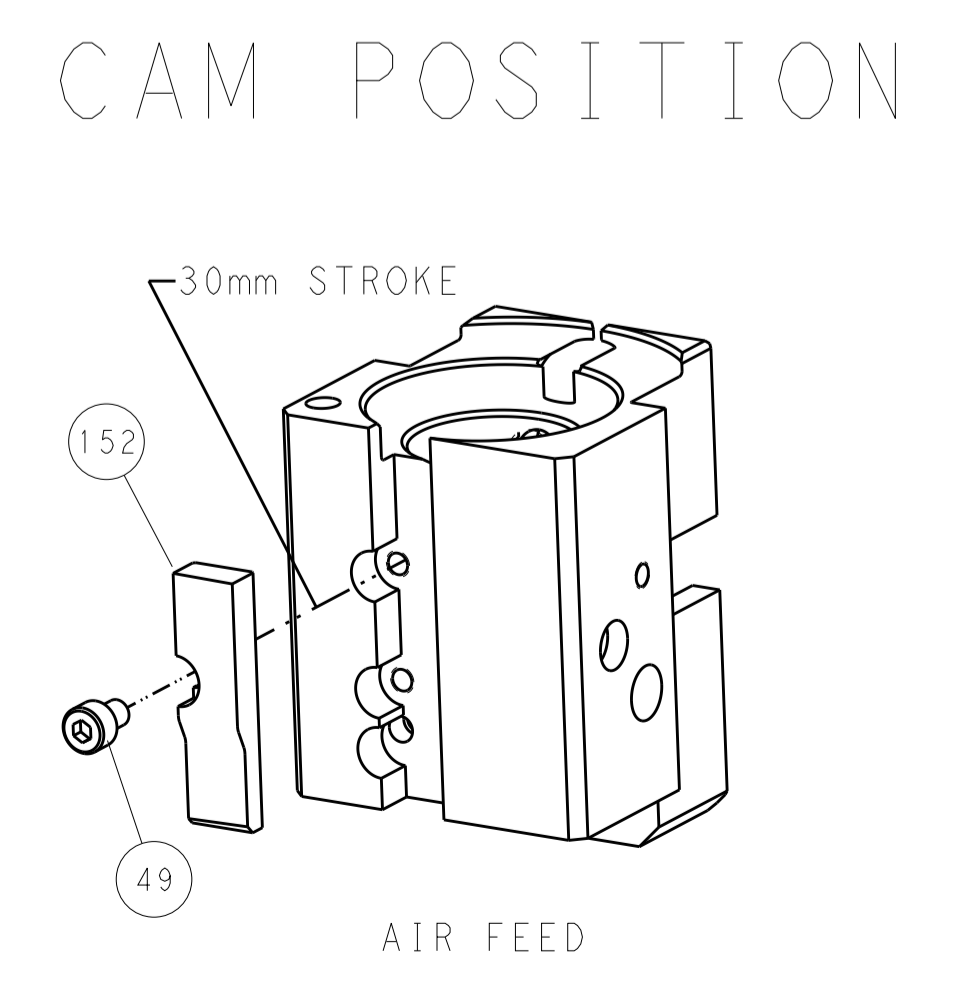
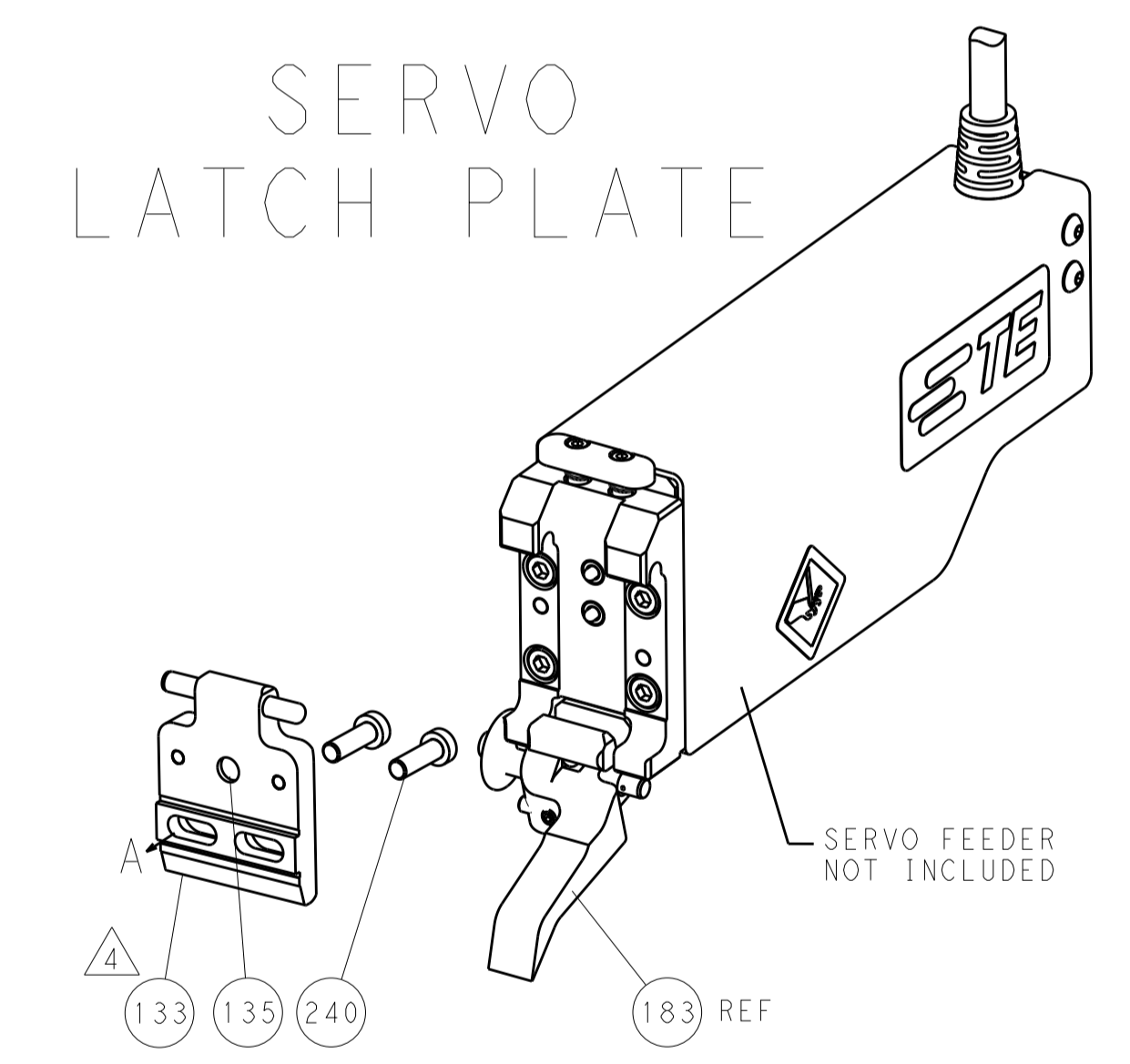
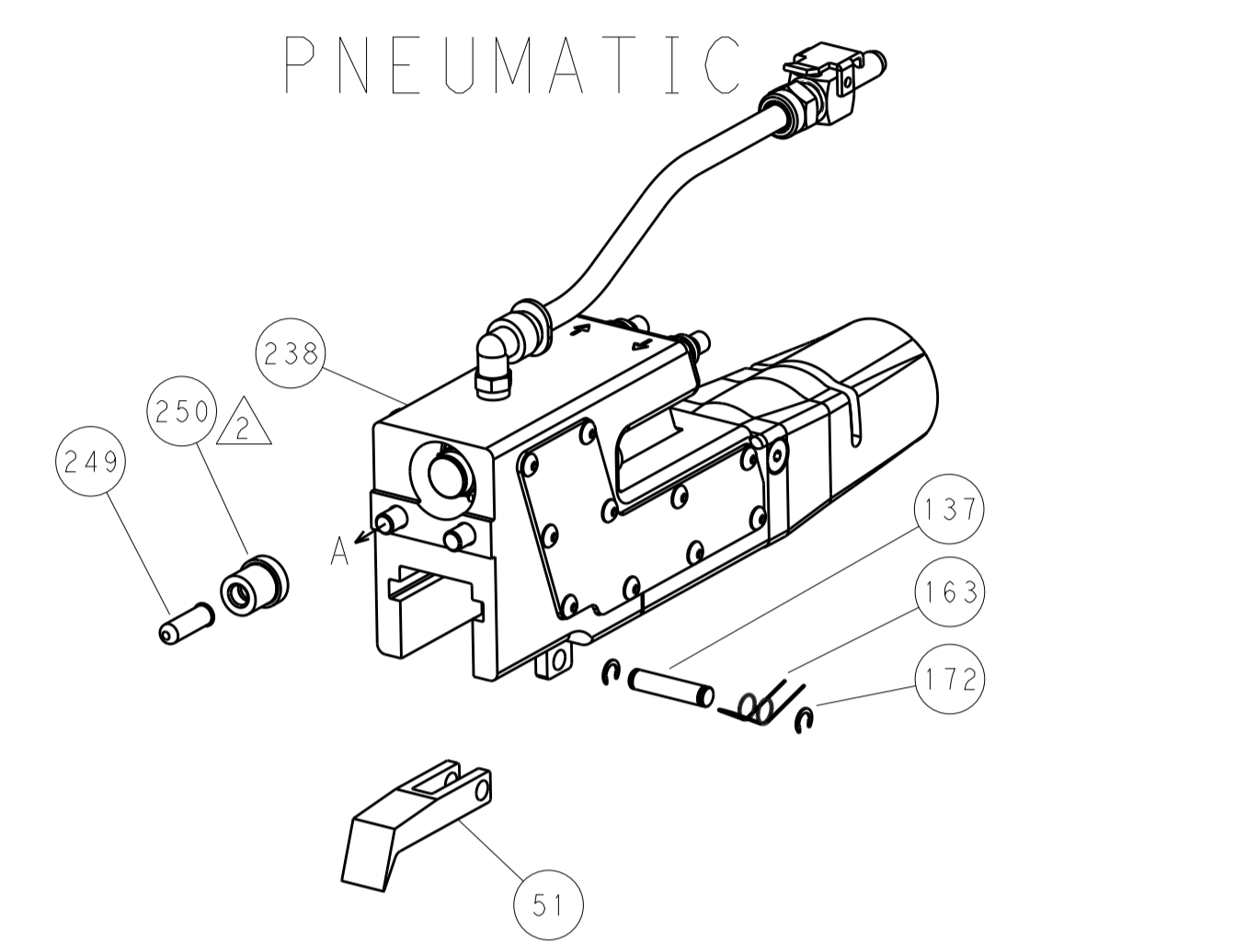
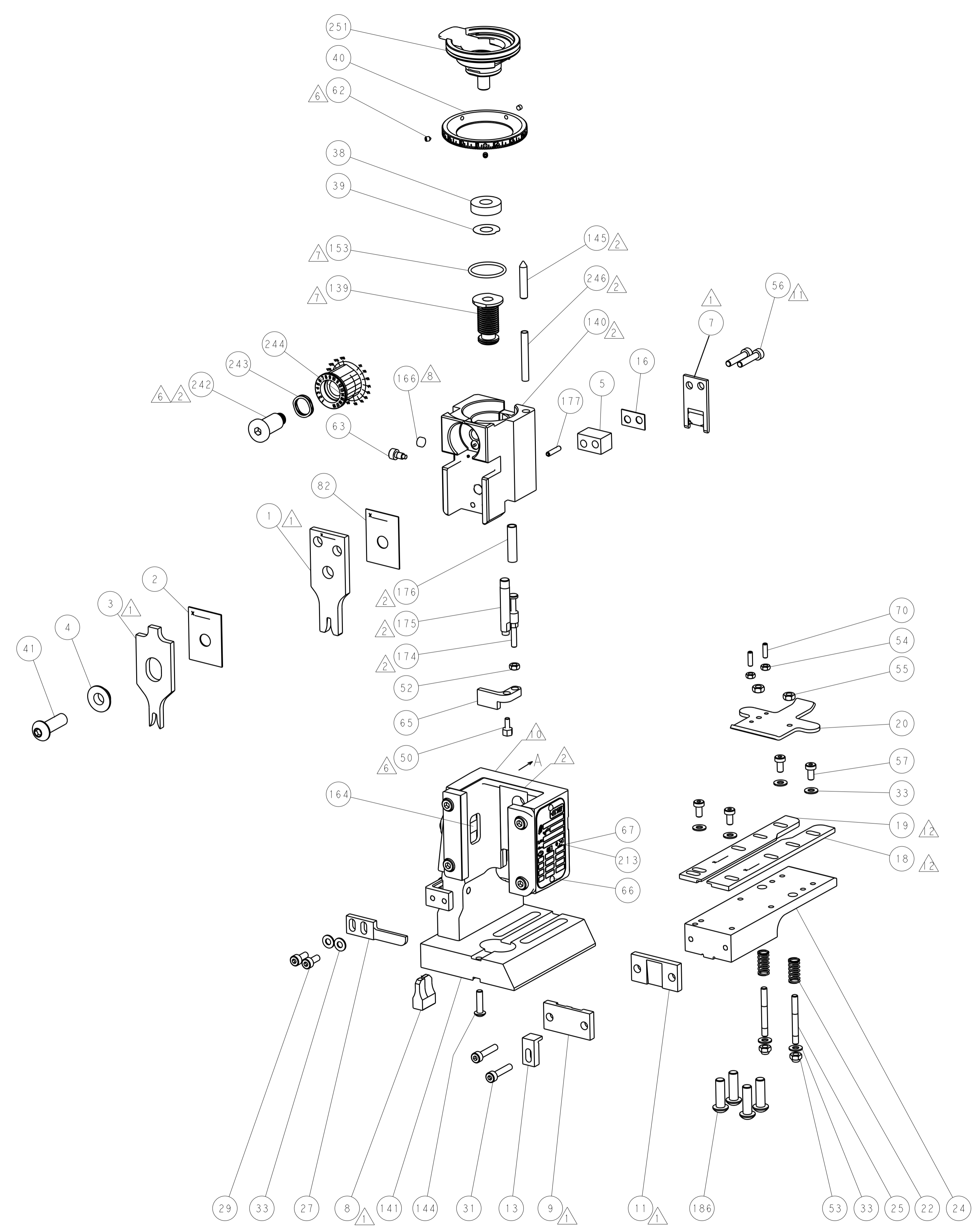
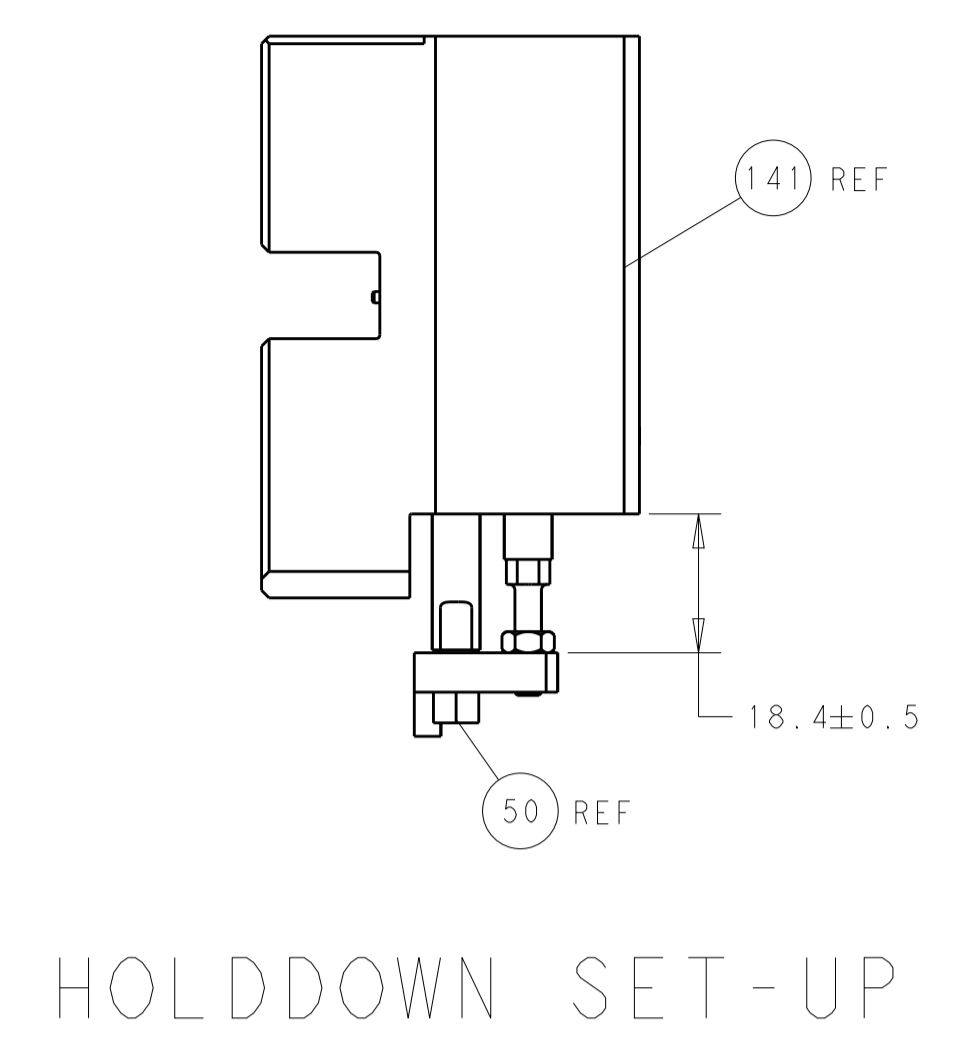
**PACIFIC VERSION**  
 Shown on sheets 3 of 4 & 4 of 4  
 (Atlantic version shown on sheets 1 of 4 & 2 of 4)

SET UP GAUGE	LOC	DIST	REVISIONS			
2119599-2	A	66	REV	DATE	BY	APPD
-	-	-	1	SEE SHEET 1	-	-

REV	DATE	BY	APPD	DESCRIPTION	DATE	BY	APPD
-	-	-	1	2079988-1	BUSHING, LCH5-12, MISUMI	-	249
-	1	1	1	1-22279-3	SPRING, COMPRESSION	-	246
-	1	1	1	2119082-8	CAM, SNAIL, INSULATION ADJUSTMENT	-	244
-	1	1	1	2079764-1	WASHER, WAVE SPRING, CREST-TO-CREST	-	243
-	1	1	1	2119083-1	RETAINER, INSULATION DIAL	-	242
-	-	-	2	2168400-7	SHCS, LOW HEAD, RoHS, M5 X 10	-	240
-	-	-	1	2063440-2	AIR FEED MODULE	-	238
-	-	-	1	2119740-2	TAG, IDENTIFICATION	-	213
-	4	4	4	2079383-9	SCR, BHSC, RoHS (M6 X 20)	-	186
-	-	REF	-	1901697-1	FEED FINGER ASSEMBLY, EF	-	183
-	1	1	1	6-993111-6	PIN, SLOTTED SPRING 3.0 X 14.0	-	177
-	1	1	1	8-22280-7	SPRING, COMPRESSION	-	176
-	1	1	1	1752353-2	GUIDE PIN, HOLDDOWN	-	175
-	1	1	1	1901680-2	GUIDE PIN, HOLDDOWN	-	174
-	-	-	2	21045-3	RING, RETAIN, EXTERN, 3/16 CRESCENT	-	172
-	-	-	1	994969-1	MAGNET, RARE EARTH HIGH ENERGY	-	166
-	REF	REF	REF	994970-2	COUNTER, MAGNETIC	-	164
-	-	-	1	240638-1	SPRING, FEED FINGER	-	163
-	1	1	1	8-21084-1	O-RING, .801 ID, .070 DIA. MAT.	-	153
-	-	-	1	2119641-2	FEED CAM, AIR FEED	-	152
-	1	1	1	2119798-2	DETENT PIN	-	145
-	1	1	1	2079383-8	SCR, BHSC, RoHS (M4 X 16)	-	144
-	1	1	1	2119655-6	APPLICATOR BASIC ASSEMBLY, EF	-	141
-	1	1	1	2119651-1	RAM, ASIAN STYLE, END FEED	-	140
-	1	1	1	2119092-2	BOLT, ADJUSTMENT	-	139
-	-	-	1	3-23627-7	PIN, RETAIN, GRVD, 3/16 X .854	-	137
-	-	REF	-	SEE NOTE 4	MEMORY CHIP, PROGRAMMED	-	135
-	-	-	1	1633743-1	SERVO FEED LATCH ASM	-	133
-	1	1	1	455888-4	SPACER, CRIMPER	-	82
-	1	1	1	2119956-2	DOCUMENTATION PACKAGE	-	71
-	2	2	2	2-18032-2	SCR, SET, FLT POINT M3 X 10.0	-	70
-	1	-	1	2119740-1	TAG, IDENTIFICATION	-	67
-	2	2	2	2168078-1	SCREW, DRIVE, RH, RoHS, 2 x .188	-	66
-	1	1	1	1901681-1	HOLDDOWN, TERMINAL	-	65
-	1	1	1	2119793-1	LIMITER, ADJUSTMENT BOLT	-	63
-	3	3	3	992763-5	SCR, SET, SOC, CONE POINT, M3 X 4.0	-	62
-	-	-	-	2063961-1	FEED FINGER	-	58
-	4	4	4	2168400-4	SHCS, LOW HEAD, RoHS, M4 X 8	-	57
-	2	2	2	2168083-9	SCR, SKT HD CAP, RoHS, M4 X 20	-	56
-	2	2	2	5018030-2	NUT, HEX, REG, RoHS, M4	-	55
-	2	2	2	5018030-1	NUT, HEX, REG, RoHS, M3	-	54
-	2	2	2	986965-8	NUT, LOCK, HEX, TORQUE (M4)	-	53
-	1	1	1	1-5018030-0	NUT, HEX, REG, RoHS, M3.5	-	52
-	-	-	-	2119792-2	PAWL, EF, AIR	-	51
-	1	1	1	1752354-1	STANDOFF, HOLD-DOWN	-	50
-	-	-	1	18023-9	SCR, SKT HD CAP M4 X 6.0	-	49
-	1	1	1	2079383-7	SCR, BHSC, RoHS (M8 X 25)	-	41
-	1	1	1	2119645-1	DISC, NUMBERED FA WIRE ADJUSTMENT	-	40
-	1	1	1	2119957-1	APPLICATOR SHIM PACK	-	39
-	1	1	1	2119644-1	RAM WASHER, PRECISION	-	38
-	8	8	8	1-18028-2	WASHER, FLAT, REG M4	-	33
-	2	2	2	2168083-9	SCR, SKT HD CAP, RoHS, M4 X 20	-	31
-	2	2	2	1-2168083-0	SCR, SKT HD CAP, RoHS, M4 X 10	-	29
-	1	1	1	240639-1	STRIPPER (MACHINING)	-	27
-	2	2	2	1320906-1	STUD, THREADED	-	25
-	1	1	1	1752371-5	PLATE, STRIP GUIDE	-	24
-	2	2	2	2-22281-3	SPRING, COMPRESSION	-	22
-	1	1	1	1752373-4	DRAG	-	20
-	1	1	1	1-1901696-5	STRIP GUIDE, REAR	-	19
-	1	1	1	1-1901695-5	STRIP GUIDE, FRONT	-	18
-	1	1	1	6-240641-6	SPACER	-	16
-	1	1	1	1752360-1	SPACER, HOLD-DOWN	-	13
-	1	1	1	240644-1	PLATE, REAR SHEAR	-	11
-	-	-	-	-	-	-	10
-	1	1	1	690482-4	PLATE, FRONT SHEAR	-	9
-	1	1	1	2-1803000-3	ANVIL, COMBINATION, END FEED	-	8
-	1	1	1	1-2217206-2	BLADE, SLUG	-	7
-	-	-	-	-	-	-	6
-	1	1	1	2-240641-6	SPACER	-	5
-	1	1	1	3-238009-3	BLOCK, FL CRIMPER SPACER	-	4
-	1	1	1	1-2119785-7	CRIMPER, INSULATION OVERLAP PREMIUM	-	3
-	1	1	1	455888-6	SPACER, CRIMPER	-	2
-	1	1	1	4-1633664-7	CRIMPER, WIRE	-	1
-	77	27	25-22	PART NO	DESCRIPTION	ITEM NO	

DIMENSIONS:	TOLERANCES UNLESS OTHERWISE SPECIFIED:	DATE	NAME
mm	0 PLC ± 1 PLC ± 3 PLC ± 4 PLC ± ANGLES ±	28NOV2012	TE Connectivity Harrisburg, PA 17105-3608
	FINISH	CHK G. BAILEY	NAME Ocean End Feed Applicator
MATERIAL	FINISH	APVD T. ERLIN	SIZE A1
		DATE 28NOV2012	CAGE CODE 00779
		PRODUCT SPEC	DRAWING NO C=2150299
		APPLICATION SPEC	RESTRICTED TO
		WEIGHT	SCALE 1:1
		Customer Accessible Production Drawing	SHEET 3 OF 4

REVISONS		DATE	OWN	APVD
LOC	DIST			
A	66			
P	LTM			
		SEE SHEET 1		



PACIFIC VERSION  
 Shown on sheets 3 of 4 & 4 of 4  
 (Atlantic version shown on sheets 1 of 4 & 2 of 4)

DIMENSIONS:		TOLERANCES UNLESS OTHERWISE SPECIFIED:		OWN: R. STAKEM 28NOV2012		TE Connectivity	
mm	0 PLC	±		CHK: G. BAILEY 28NOV2012	Harrisburg, PA 17105-3608		
	1 PLC	±		APVD: T. ERLIN 28NOV2012	NAME: Ocean End Feed Applicator		
	2 PLC	±			SIZE: CAGE CODE: DRAWING NO: A11 00779 ©=2150299		
	3 PLC	±			RESTRICTED TO:		
	4 PLC	±			WEIGHT: SCALE: 1:1 SHEET 4 OF 4 REV: B1		
	ANGLES	±		Customer Accessible Production Drawing			
MATERIAL:	FINISH:						