

# FLR PCB FUSE HOLDER FOR ATO® STYLE BLADE FUSE RATED 58V



## Specifications

Housing: Out of thermoplastic (UL 94-V0, heat-resistant)  
 Connections: Leaf spring connector systems, soldering terminals (4 pins each), copper alloy, tinned  
 Color: Black

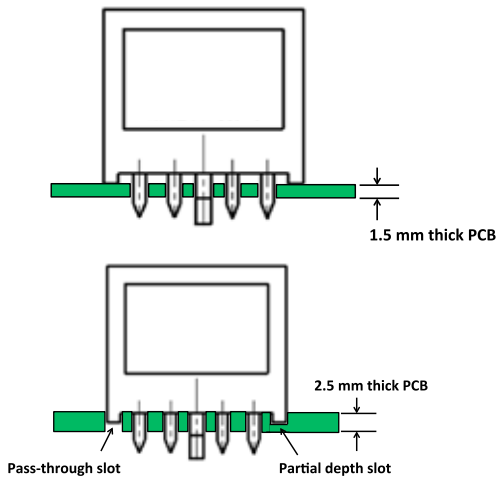
## Ordering Information

Part Number	Package Size
178.4265.0002	500

## Description

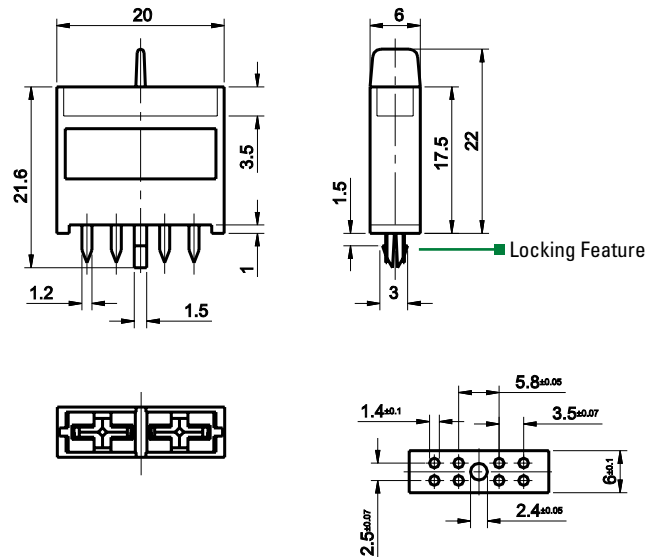
PCB Fuse Holder for 42V PowerNet with coding for TAC fuses-links. For through hole soldering. Rated voltage 58V.

## Recommended Assembly



## Dimensions

Dimensions in mm



Note: The locking feature at the holder center must lock holder and PCB before welding.

## Ratings

Part Number	Description	Contact Temperature
178.4265.0002	Complete	max. 130°C



Visit [Littelfuse.com](http://Littelfuse.com) for the most up-to-date product information. Littelfuse reserves the right to make product changes, without notice. Material in this document is as accurate as known at the time of publication.

# FLR PCB FUSE HOLDER FOR ATO® STYLE BLADE FUSE RATED 80V



## Specifications

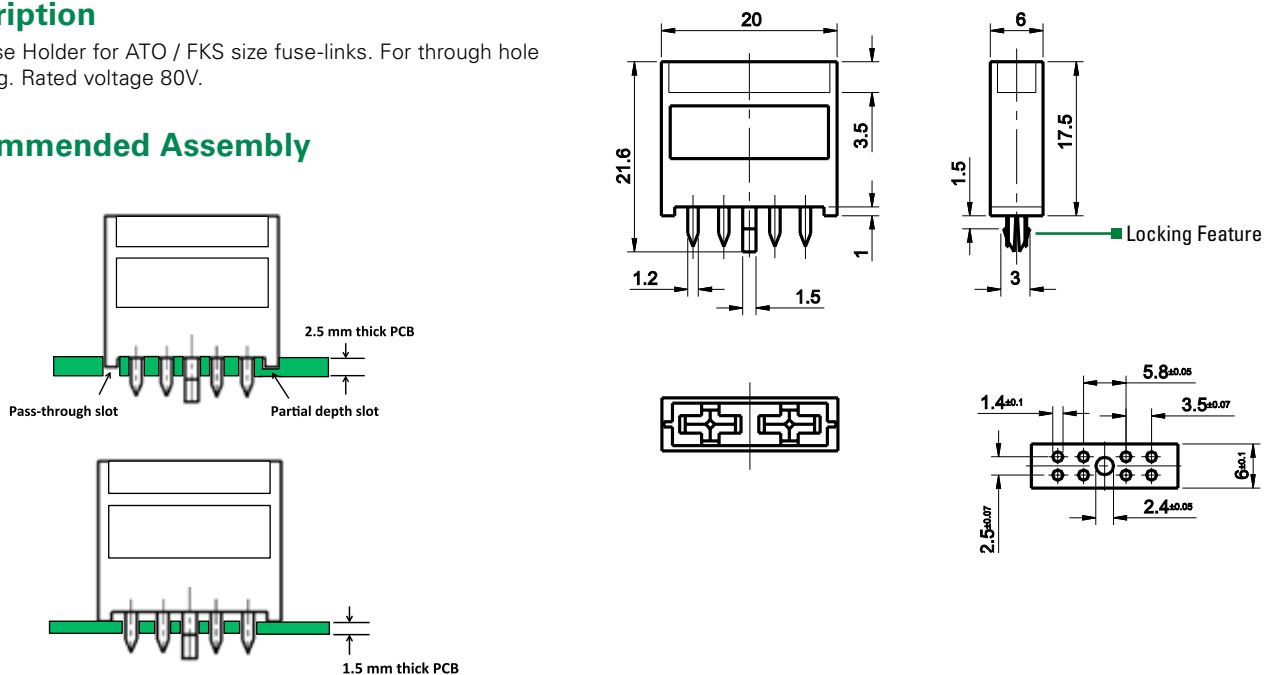
Housing: Out of thermoplastic (UL 94-V0, heat-resistant)  
 Connections: Leaf spring connector systems, soldering terminals (4 pins each), copper alloy, silver plated  
 Color: Black

## Ordering Information

Part Number	Package Size
178.6165.xxx1	100
178.6165.xxx2	500

## Dimensions

Dimensions in mm



## Description

PCB Fuse Holder for ATO / FKS size fuse-links. For through hole soldering. Rated voltage 80V.

## Recommended Assembly

Note: The locking feature at the holder center must lock holder and PCB before welding.

## Ratings

Part Number	Description	Contact Temperature
178.6165.000_	Complete	max. 130°C



Visit [Littelfuse.com](http://Littelfuse.com) for the most up-to-date product information. Littelfuse reserves the right to make product changes, without notice. Material in this document is as accurate as known at the time of publication.

# FLR PCB FUSE HOLDER FOR ATO® STYLE BLADE FUSE RATED 80V



## Specifications

Housing: Out of thermoplastic (UL 94-V0, heat-resistant)  
 Connections: Leaf spring connector systems, soldering terminals, copper alloy, tin plated  
 Color: Black

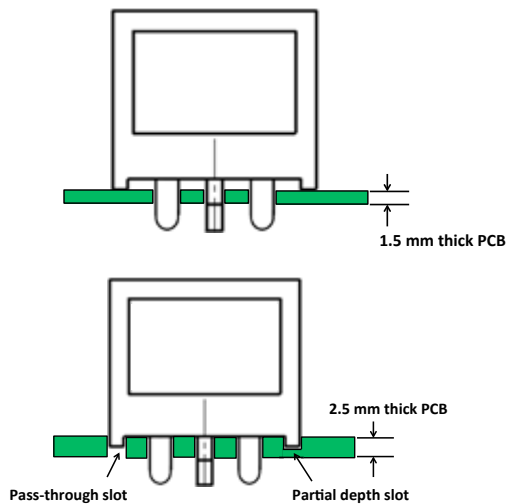
## Ordering Information

Part Number	Package Size
178.6164.xxx1	100
178.6164.xxx2	500

## Description

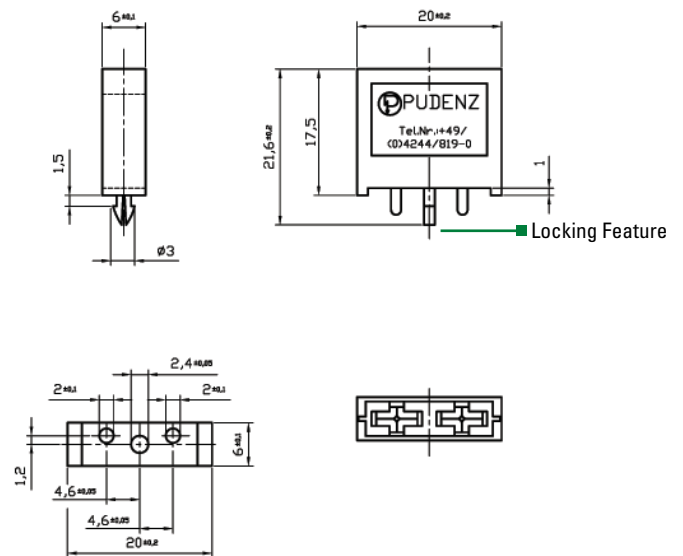
PCB Fuse Holder for ATO/FKS size fuse-links. For through hole soldering. Rated voltage 80V

## Recommended Assembly



Note: The locking feature at the holder center must lock holder and PCB before welding.

## Dimensions in mm



## Ratings

Part Number	Description	Contact Temperature
178.6164.000_	Complete	max. 130°C



Visit [Littelfuse.com](http://Littelfuse.com) for the most up-to-date product information. Littelfuse reserves the right to make product changes, without notice. Material in this document is as accurate as known at the time of publication.