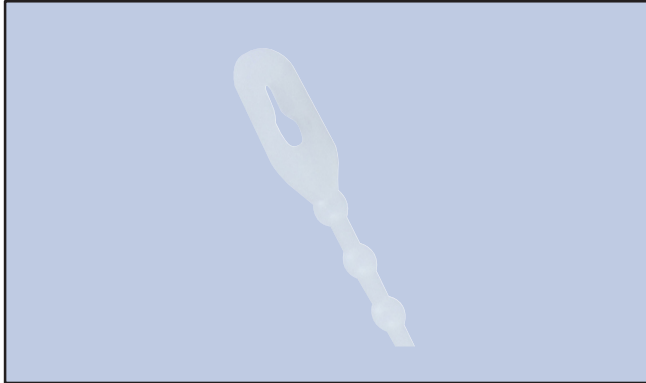


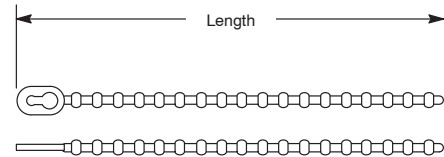
Beaded Nylon Cable Tie

Features

- Natural Nylon 6/6 Molded Construction
- Blunt Tip for General Use
- Smooth, Rounded Configuration Eliminates Damage to Wire and Cable Insulation
- Ties can be Disassembled and Reused



WT-10



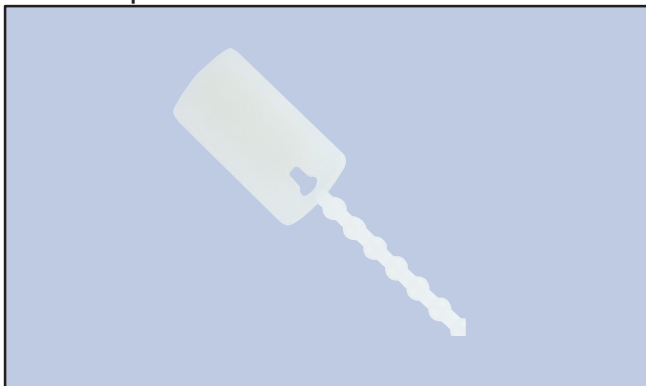
Beaded Tie

	NTE Type No.	Length	Qty. per Bag	Diag No.
NEW	04-04BD9	4.250 / 108	100	WT-10
NEW	04-06BD9	6.000 / 152	100	WT-10
NEW	04-08BD9	8.000 / 203	100	WT-10
NEW	04-10BD9	10.000 / 254	100	WT-10

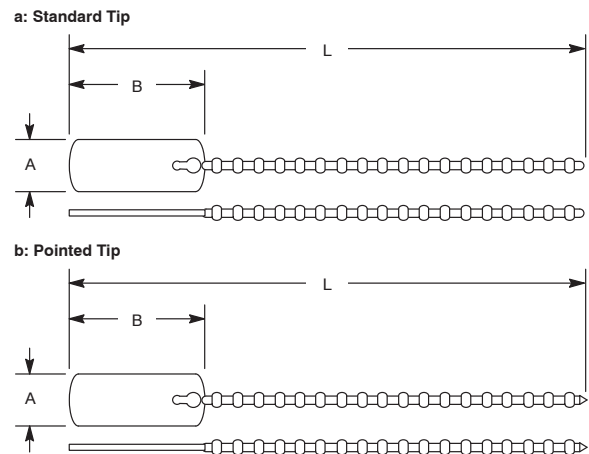
Beaded Nylon Cable Tie with Label

Features

- Integral Label Area for Writing
- Permanent Ink Pens, Felt Tip Pens, Pressure-Sensitive Adhesive Labels, or Post-it® Notes can be used
- Natural Nylon 6/6 Molded Construction
- Available with either a Pointed Tip for Piercing Thin Material or a Blunt Tip for General Use



WT-09



Beaded Tie with Label

NTE Type No.	Description	A	B	L	Qty. per Bag	Diag No.
04-LBT19	Standard Tip	.500 / 12.7	1.312 / 33.32	6.000 / 152.4	25	WT-09a
04-LBT29	Pointed Tip	.500 / 12.7	1.312 / 33.32	6.000 / 152.4	25	WT-09b