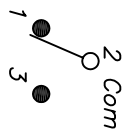
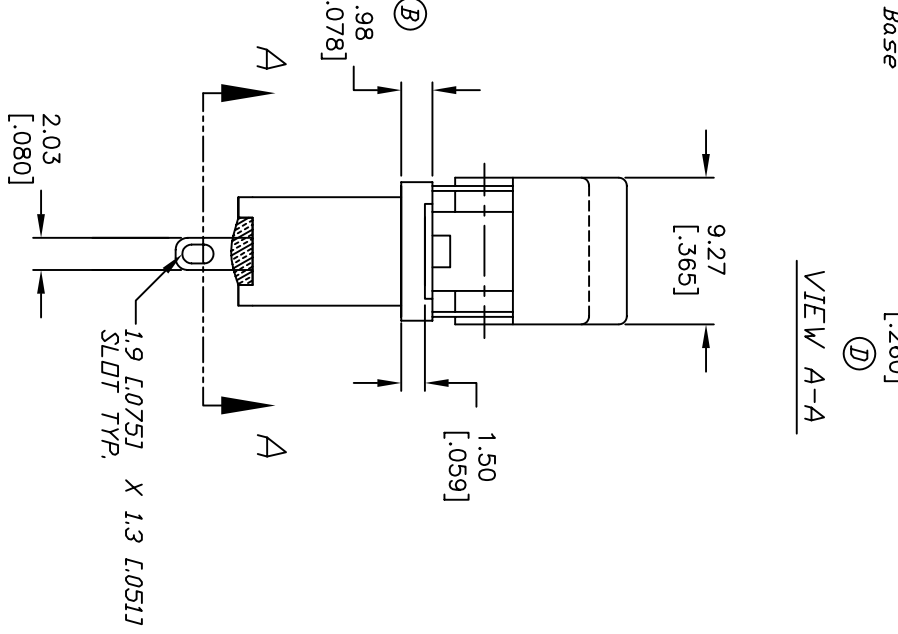
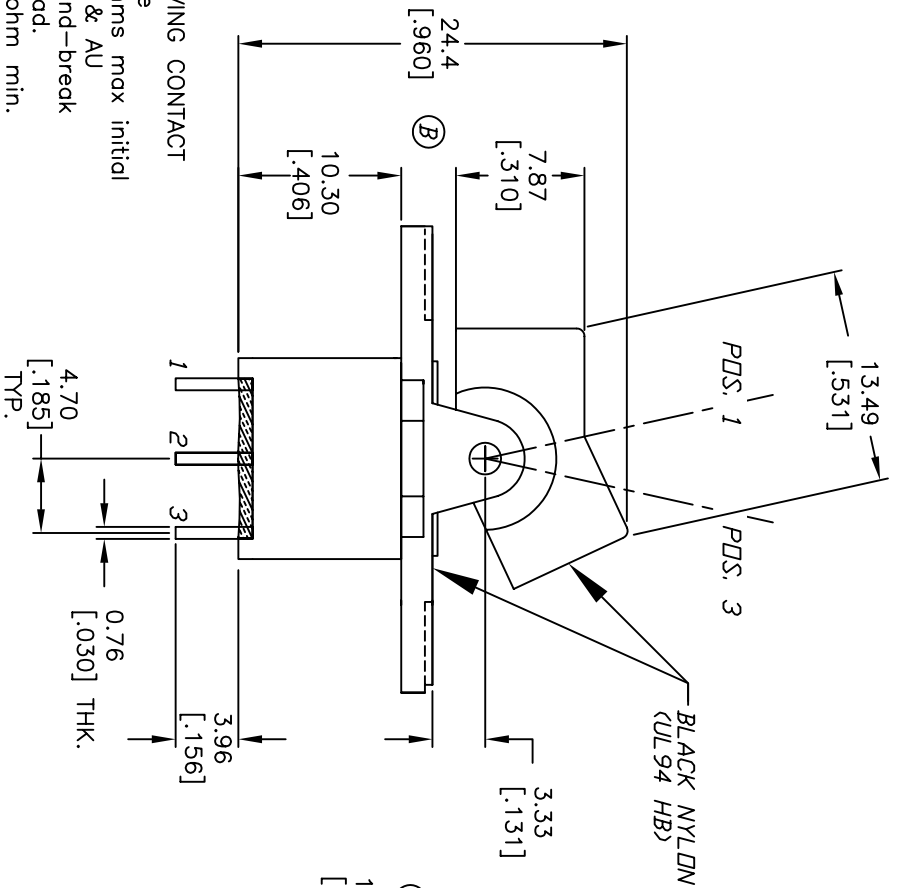
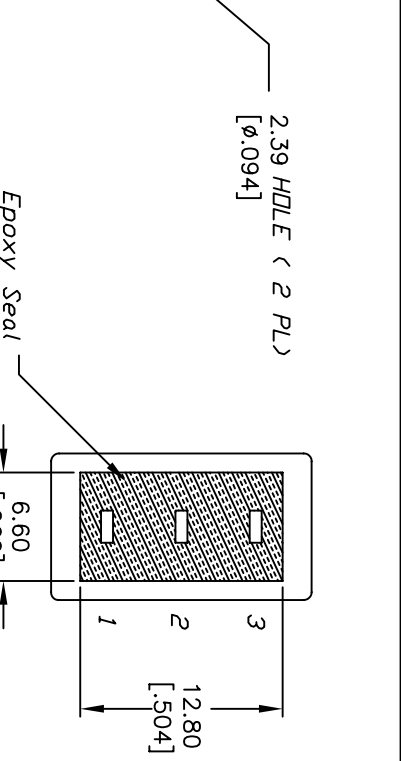
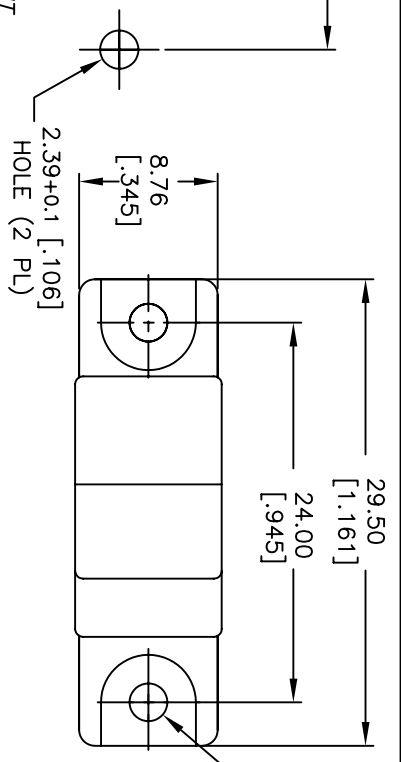


RECOMMENDED PANEL MOUNT



CIRCUIT: SPST

SWITCH FUNCTION		
POS. 1	POS. 2	POS. 3
DN	NONE	DN
2-3	OPEN	2-1



- NOTES:
1. ALL DIMENSIONS IN MM [INCH]
  2. GENERAL TOLERANCE: X.X=±0.4 X.XX=±0.25
  3. TERM. NOS. FOR REF. ONLY
  4. RATING: 5A @120VAC or 28VDC 2A @250VAC
  5. MATERIAL: FIXED TERMINAL & MOVING CONTACT  
Copper Alloy w/Silver plate
  6. CONTACT RESISTANCE: 10mILLI Ohms max initial @2-4VDC, 100ma for AG & AU
  7. ELECTRICAL LIFE: 30,000 make-and-break cycles at full load.
  8. INSULATION RESISTANCE: 1,000M ohm min.
  9. DIELECTRIC STRENGTH: 1000V RMS @sea level
  10. OPERATING TEMP.: -30°C to 85°C

REV.	ECN No.	DESCRIPTION	DATE	CHKD
D	15235	DIM WAS 6.86	9/2/05	PH
C	12016	REVISED DIMENSION, ADD DIM.	3/26/02	CB
B	11604	REVISED/ADD NOTE 4-10	8/7/01	CB

TITLE		SCALE	DATE	DR	DWG	REV
300A WSP-1 R1 BLK M1 Q E		2:1	8/7/01	CB	T301012	D



THE INFORMATION CONTAINED IN THIS DOCUMENT IS PROPRIETARY TO E-SWITCH AND IS NOT TO BE COPIED OR TRANSMITTED