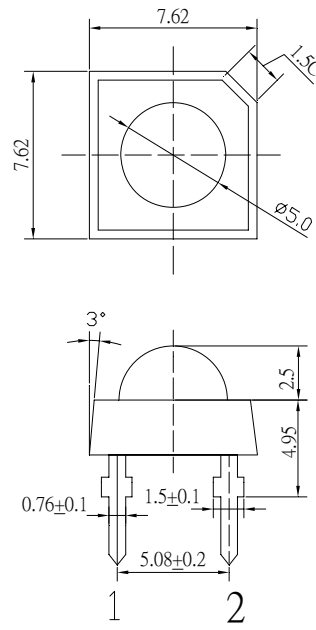


**■Features**

- High Luminous Super Flux Output
- 5 ° Standard Directivity
- Long Lifetime Operation
- Low Thermal Resistance
- Superior Weather-Resistance
- UV Resistant Epoxy
- Water Clear Type

**■Applications**

- Interior and exterior automotive lighting (e.g. dashboard backlighting etc.)
- Backlighting (Illuminated advertising, general lighting, etc)
- Decorative Lighting
- Other Lighting

**■Outline Dimension**


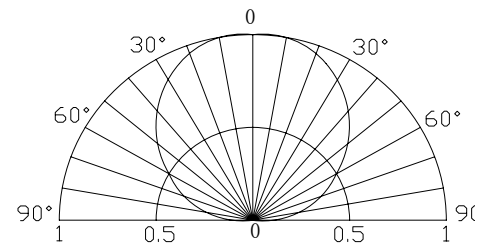
Unit:mm  
Tolerance: $\pm 0.3$ mm

1,4 Anode  
2,3 Cathode

**■Absolute Maximum Rating**
**(Ta=25°C)**

Item	Symbol	Value	Unit
DC Forward Current	$I_F$	50	mA
Pulse Forward Current*	$I_{FP}$	100	mA
Reverse Voltage	$V_R$	5	V
Power Dissipation	$P_D$	180	mW
Operating Temperature	$T_{opr}$	-30 ~ +85	°C
Storage Temperature	$T_{stg}$	-40 ~ +100	°C
Lead Soldering Temperature	$T_{sol}$	260 °C / 5sec	-

\*Pulse width Max.10ms , Duty ratio max 1/10

**■Directivity**

**■Electrical -Optical Characteristics**
**(Ta=25°C)**

Item	Symbol	Condition	Min.	Typ.	Max.	Unit
DC Forward Voltage	$V_F$	$I_F=30$ mA	2.9	3.1	3.6	V
DC Reverse Current	$I_R$	$V_R=5$ V	-	-	10	$\mu$ A
Luminous Intensity*	$I_v$	$I_F=30$ mA	4200	6000	-	mcd
Chromaticity Coordinates*	x	$I_F=30$ mA	-	0.27	-	
	y	$I_F=30$ mA	-	0.28	-	
50% Power Angle	$2\theta_{1/2}$	$I_F=30$ mA	-	120	-	deg

\*1 Tolerance of chromaticity coordinate is  $\pm 10\%$

\*2 Tolerance of luminous intensity is  $\pm 15\%$