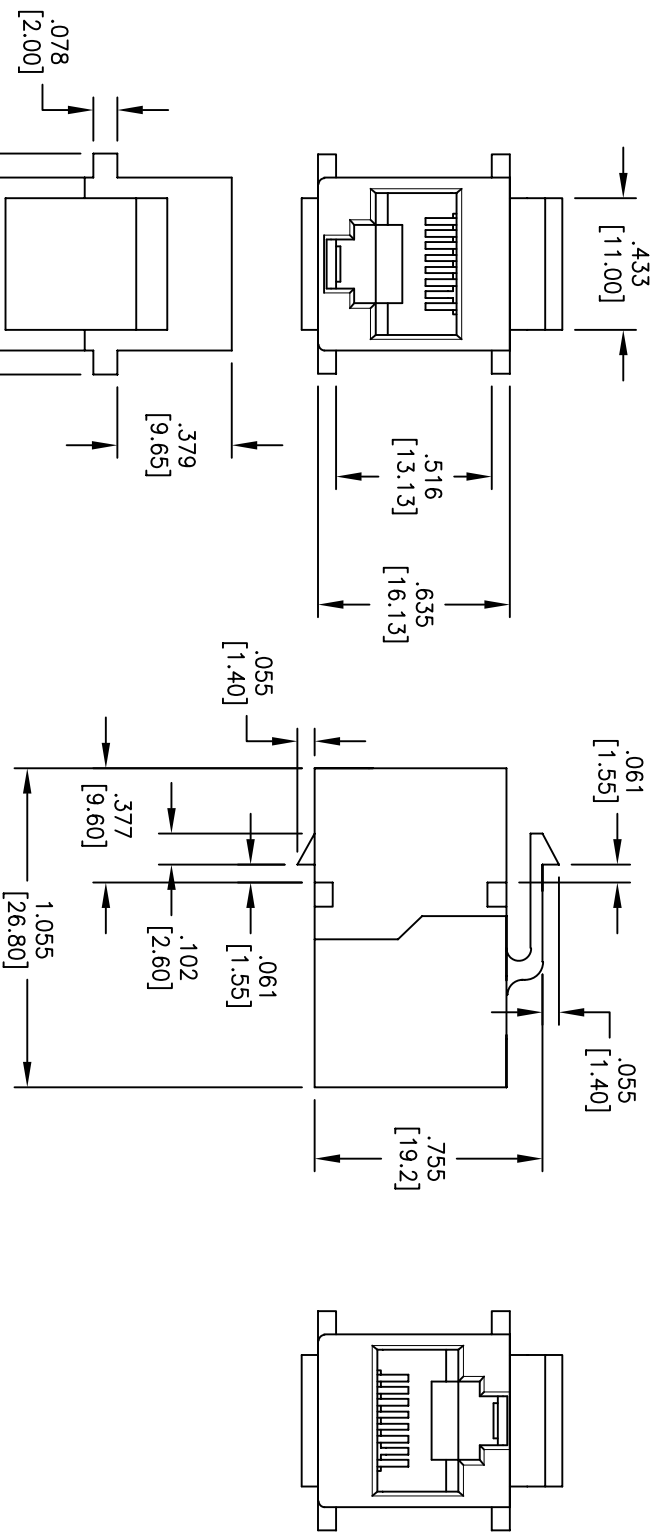


APPROVED: _____
 DATE: _____ TITLE: _____

Rev	AWO #	Description	Date	Appr
-		RELEASED	12/3/04	
A		MATERIAL WAS PRT	10/16/06	



SPECIFICATIONS:
 Material: Polycarbonate, rated UL 94V-0
 Insulator color: Black
 Contacts: Phosphor Bronze
 Plating:
 Gold over Nickel underplate on contact area, Tin over Copper underplate between contact areas (See Chart for Thickness)
Electrical:
 Operating voltage: 150 VAC max.
 Current rating: 1.5 Amps max.
 Contact resistance: 20 mohms max.
 Insulation resistance: 1000 Mohms min. @ 500 VDC
 Dielectric withstanding voltage: 1000 VAC for 1 minute
Temperature Rating:
 Operating temperature: -40°C to +70°C
Environmental:
 Lead free, RoHS Compliant

X	PLATING
0	15 µin Gold
1	30 µin Gold
2	50 µin Gold

UNLESS OTHERWISE SPECIFIED
 ALL DIMENSIONS ARE MILLIMETERS
 TOLERANCES: EXCEPT AS NOTED

APPROVALS	DATE
X ± 2.54	
XX ± .508	
XXX ± .381	

ADAM TECH
 909 Railway Avenue, Union, NJ 07083
 Phone: 908-687-5000 Fax: 908-687-5710

TITLE	SIZE	PART NO.	REV.
MODULAR TELEPHONE JACK COUPLER	X	MTJC-88-X-PB	A
8P8C, PANEL MOUNT, COLOR BLACK			

APPROVALS	DATE
SS	10/16/06
CHECKED	
APPROVED	

