



MA120.A.QP.001
on ground-plane



Hercules

MA120.A.QP.001

Specification

Part No.	MA120.A.QP.001
Product Name	Hercules Hercules GENII Screw mount 2in1 450MHz and 868MHz (Separate cable and connectors)
Feature	Screw-Mount (Permanent Mount) For smart meters and mesh networks 450MHz and 868MHz Combo Antenna Peak Gain 3dBi for 450MHz Band 1dBi for 868MHz Band Cable and Connector 1M RG-316 SMA (M) Height 29mm * Diameter 49mm Waterproof IP67 & IP69K Rated RoHS Compliant

1. Introduction

The MA120 antenna is a high performance 450MHz and 868MHz combination thread mount antenna for external use with smart meters, gateways, mesh networks, vehicles and outdoor and indoor assets.

It is designed for heavy duty work with extra thick threads. The UV resistant polycarbonate housing is resistant to vandalism and direct attack.

At only 29mm high and a diameter of 49mm this unique antenna is the lowest profile and smallest worldwide.

The antenna has been tested in free space and on varying sizes of ground-planes, showing good frequency stability, allowing its use in many different mounting environments.

The IP67 and IP69K rated housing makes it waterproof against short immersion in water, and also against high pressure water jets used in industrial cleaning.

A closed cell foam on base prevents water leaking into mounting hole, while also providing a secure seal to a contoured surface.

The standard cable and connector is 1 meter RG316. High quality FEP (Teflon) jacket is used for the cable.

This makes the cable very flexible and able to operate in high temperature environments, corrosion resistant.

Note this antenna is designed for short range communication in the range of meters to hundreds of meters.

For cable lengths longer than 2 meters or where very long communication ranges are desired, apart from needing a higher transmit power from the transmitter, it is recommended to go with much larger high gain stand-alone whip or fiberglass Omni type antennas, to counteract losses in the cables.

2. Specification

Electrical

	ISM450	ISM868	
Frequency	450	868	MHz
Return Loss (min.)	10	10	dB
Peak Gain	3.91	1.11	dBi
Average Gain	-3.27	-4.52	dBi
Impedance	50Ω		
Polarization	Linear		
Radiation Properties	Omni-Directional		
Max Input Power	5W		

Mechanical

Dimensions (mm)	Height=29mm x Diameter=49mm
Cable	1M RG316 coax - Fully Customizable
Casing	PC Housing
Base and Thread	Nickel plated steel
Weather proof gasket	CR4305 foam with 3M9448HK double-side adhesive
Connector	SMA Male - Fully Customizable
Thread Diameter	18 mm
Sealant	Rubber Stopper

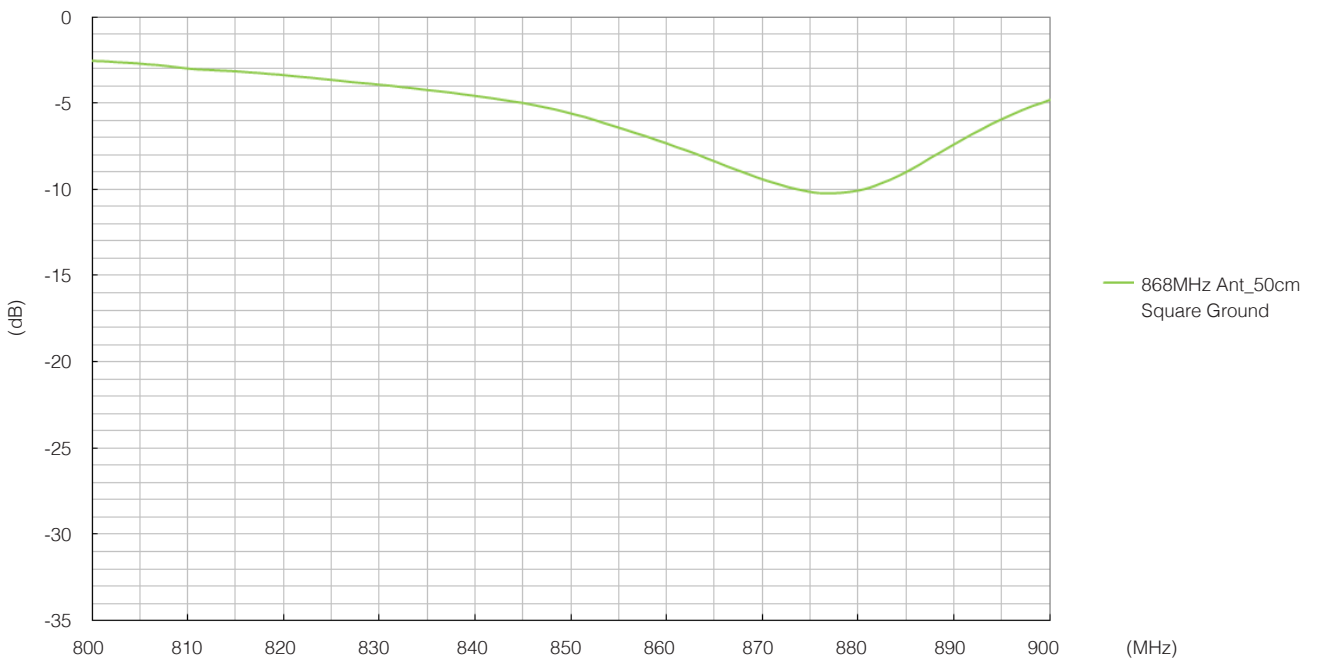
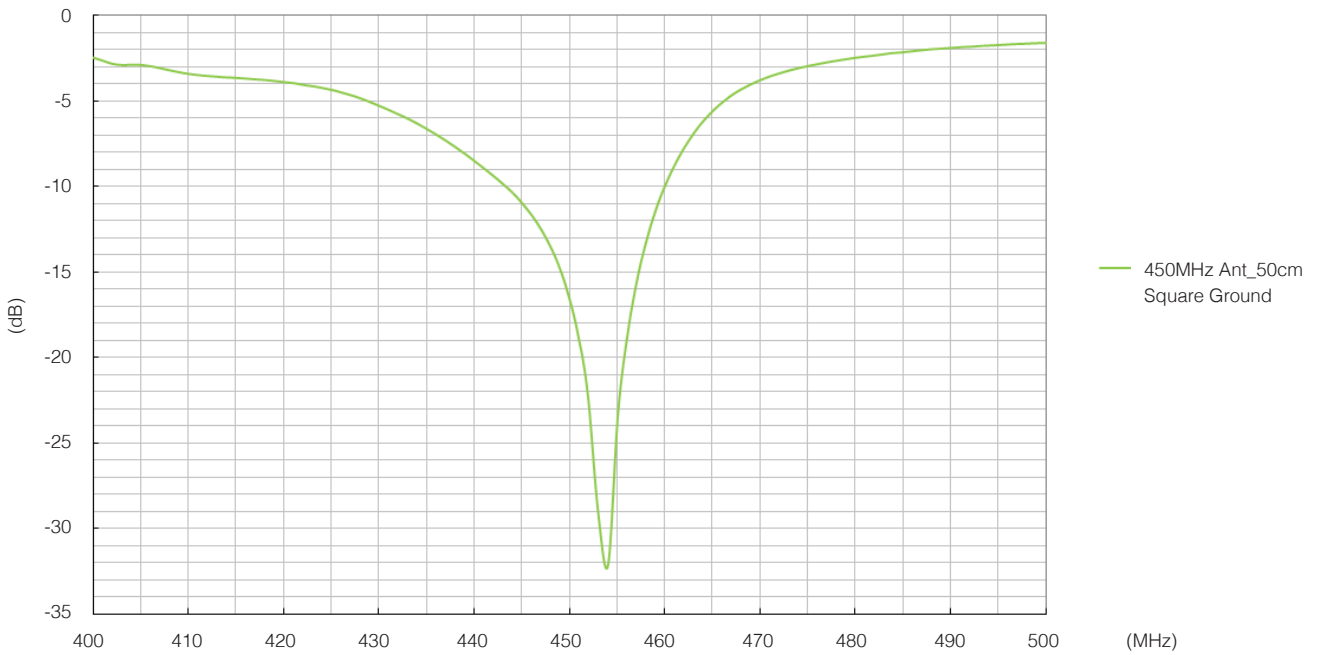
Environmental Ratings

Protection	IP67 & IP69K
Corrosion	5% NaCl for 96hrs - Nickel plated steel base and thread
Temperature Range	40°C to +85°C
Thermal Shock	100 cycles -40°C to +85°C
Humidity	Non-condensing 65°C 95% RH
Shock (Drop Test)	1m drop on concrete 6 axes
Cable Pull	8Kgf

* Results from mounting on 50cm*50cm ground plane

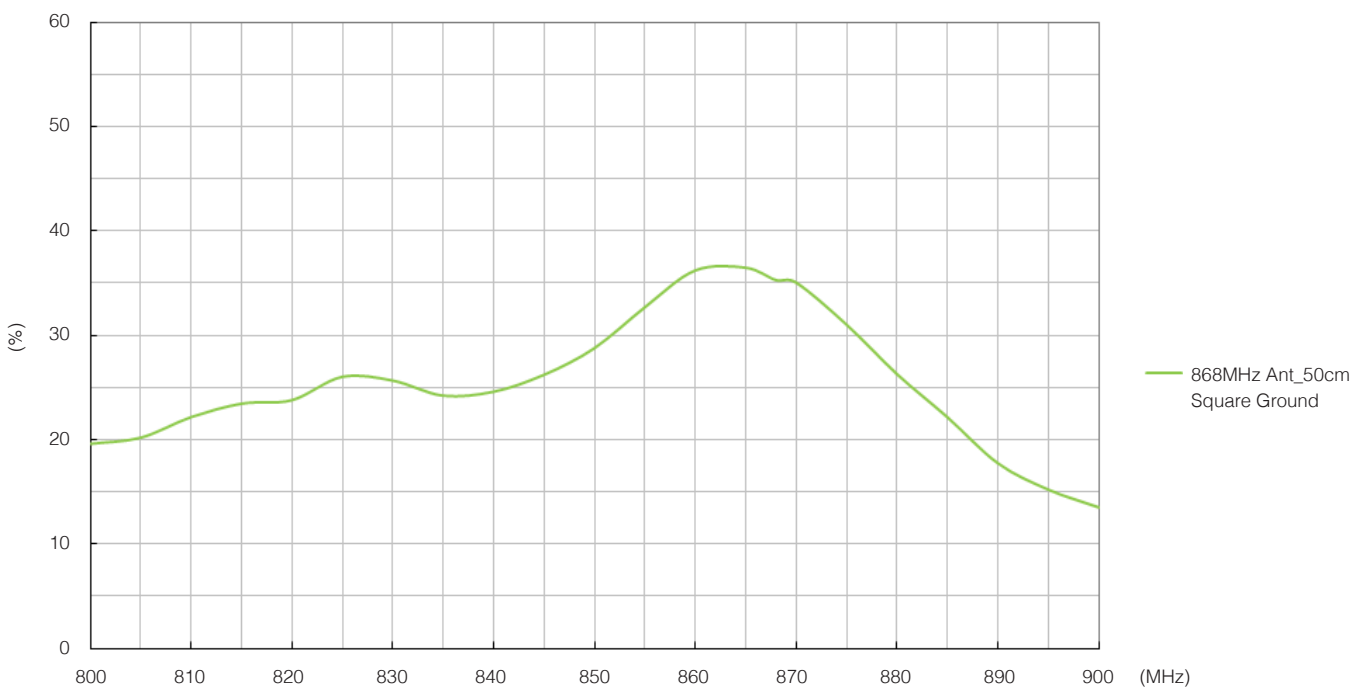
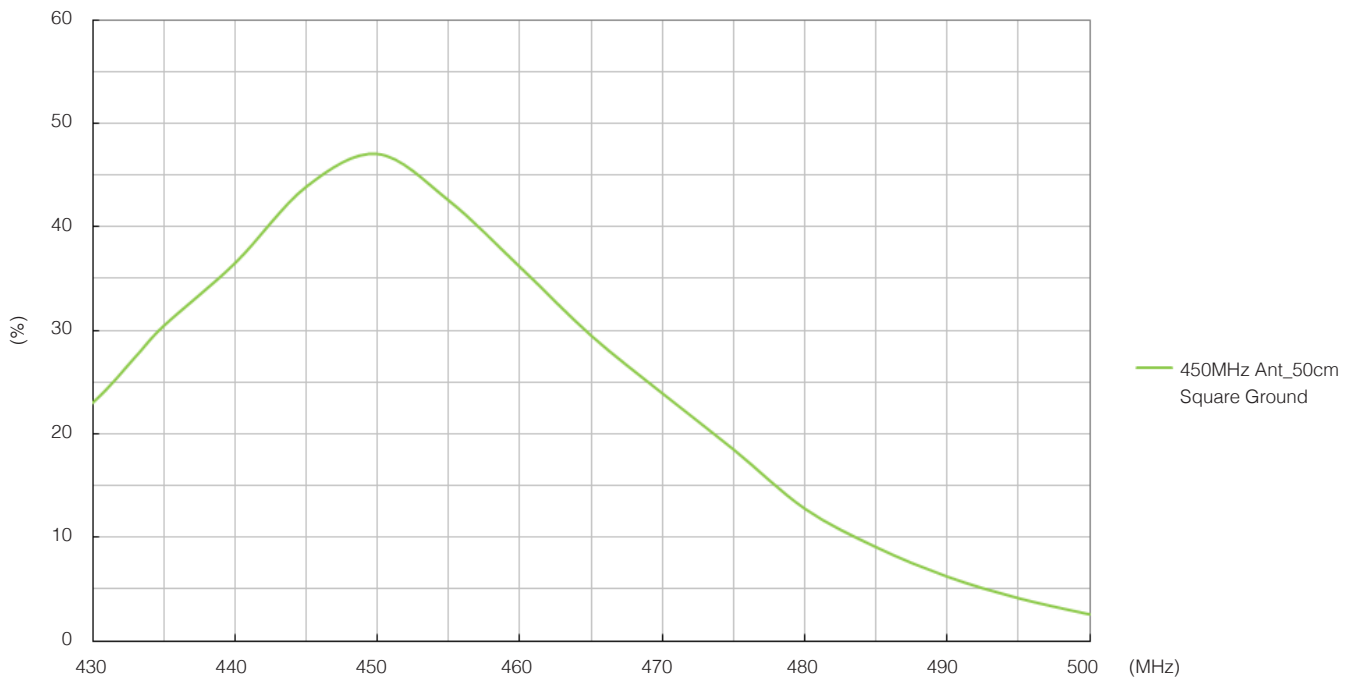
3. Antenna Characteristics

3.1 Return Loss



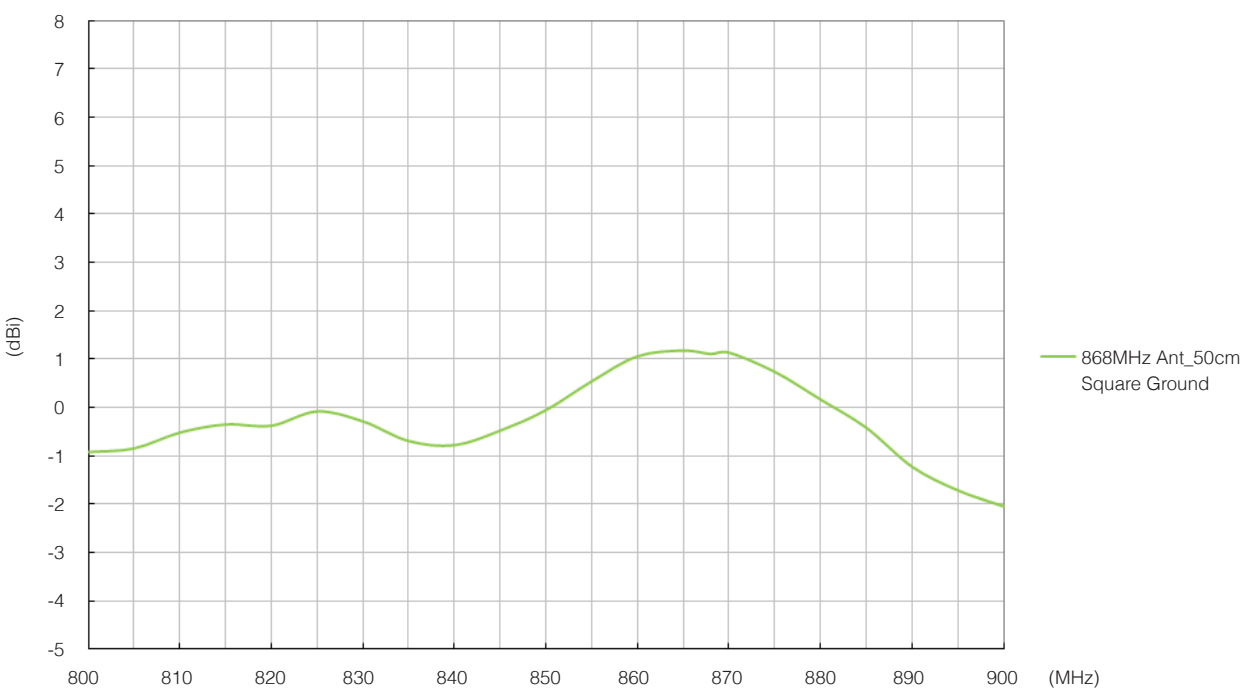
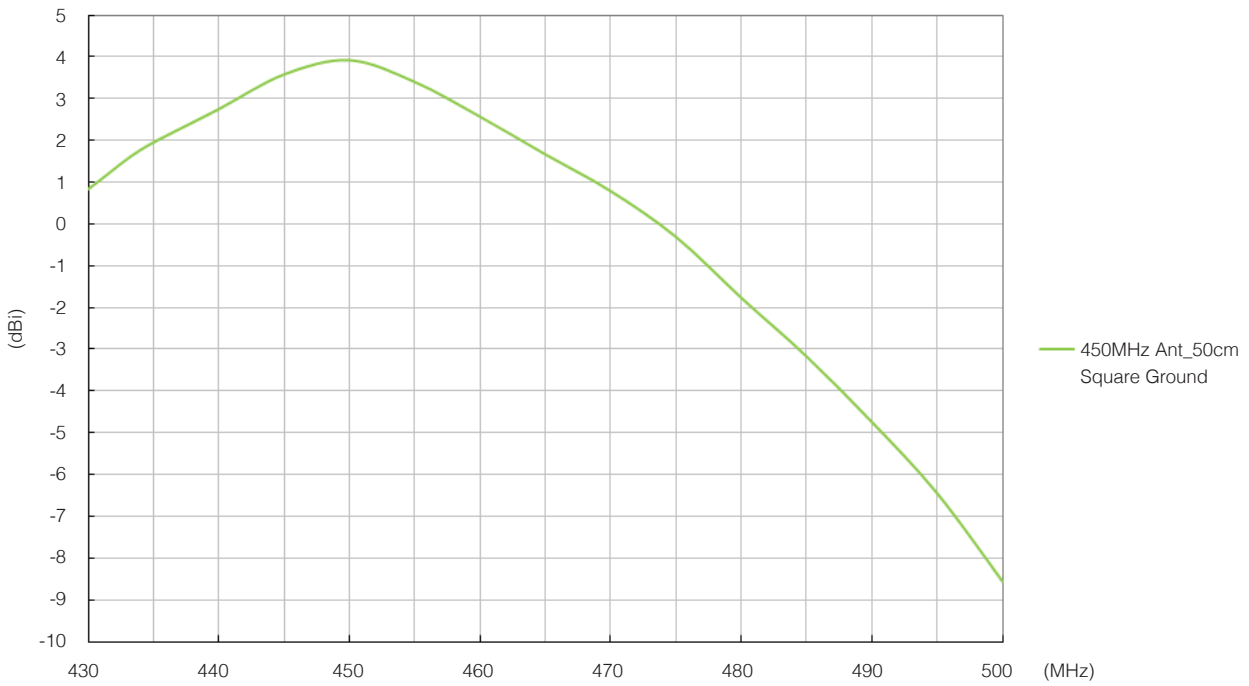
3. Antenna Characteristics

3.2 Efficiency



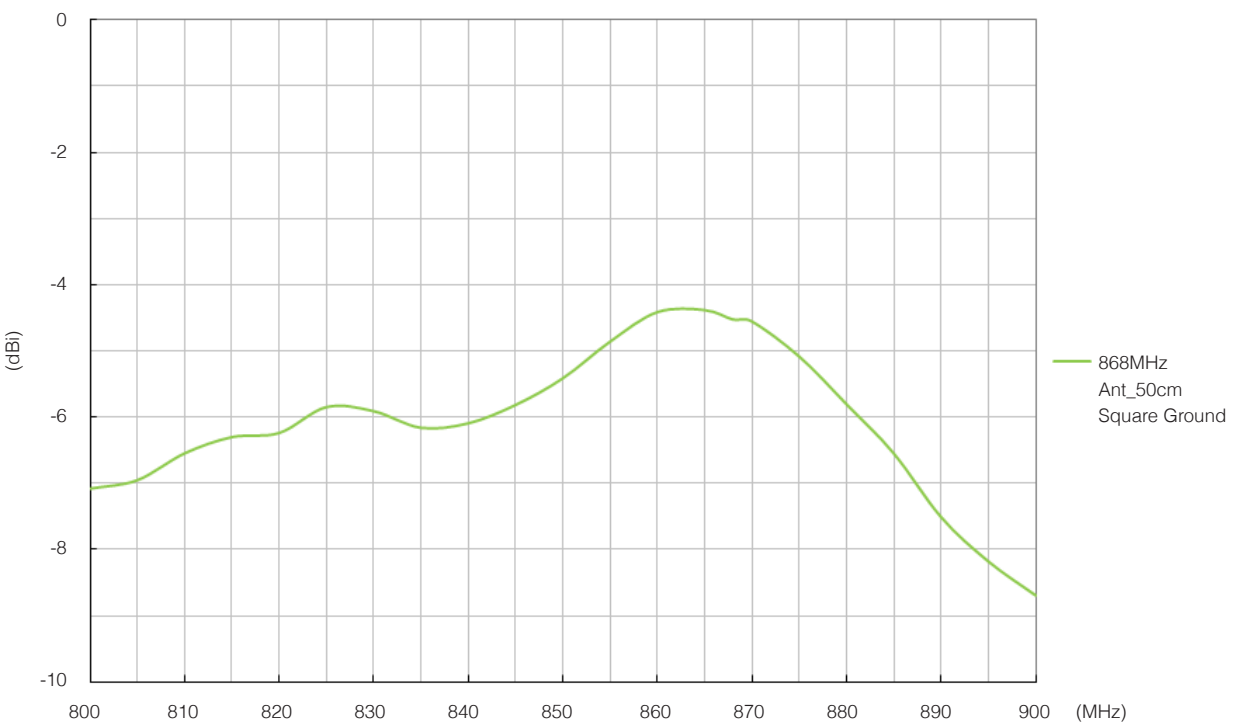
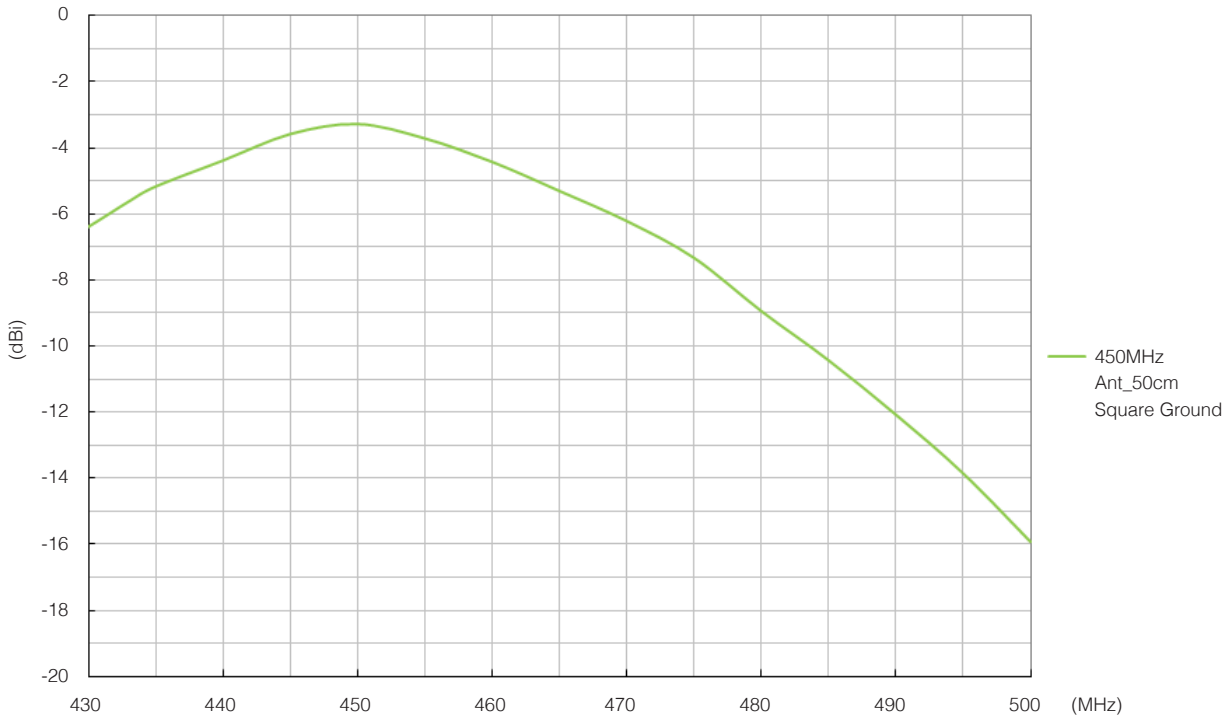
3. Antenna Characteristics

3.3 Peak Gain



3. Antenna Characteristics

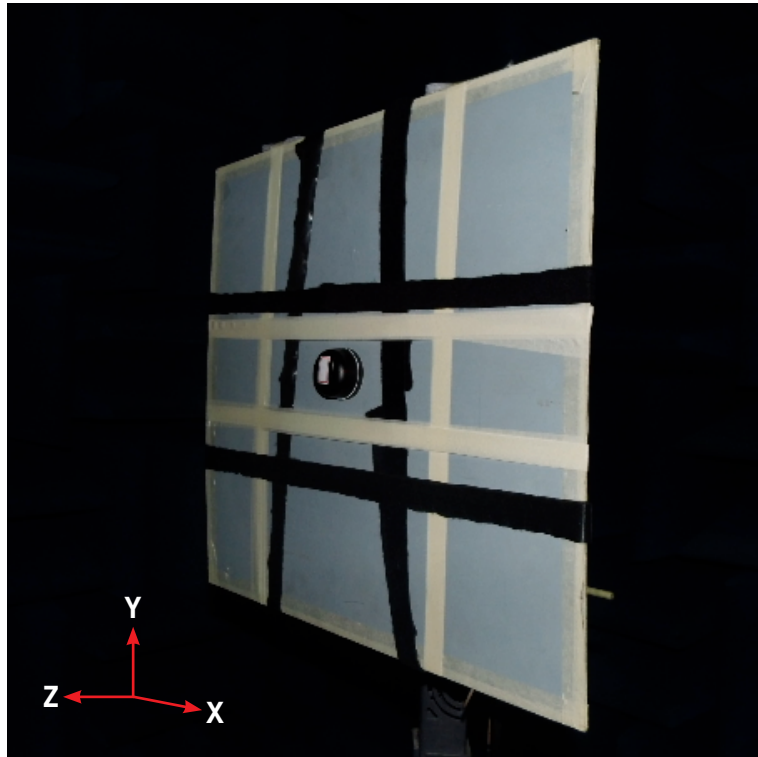
3.4 Average Gain



4. Antenna Radiation Patterns

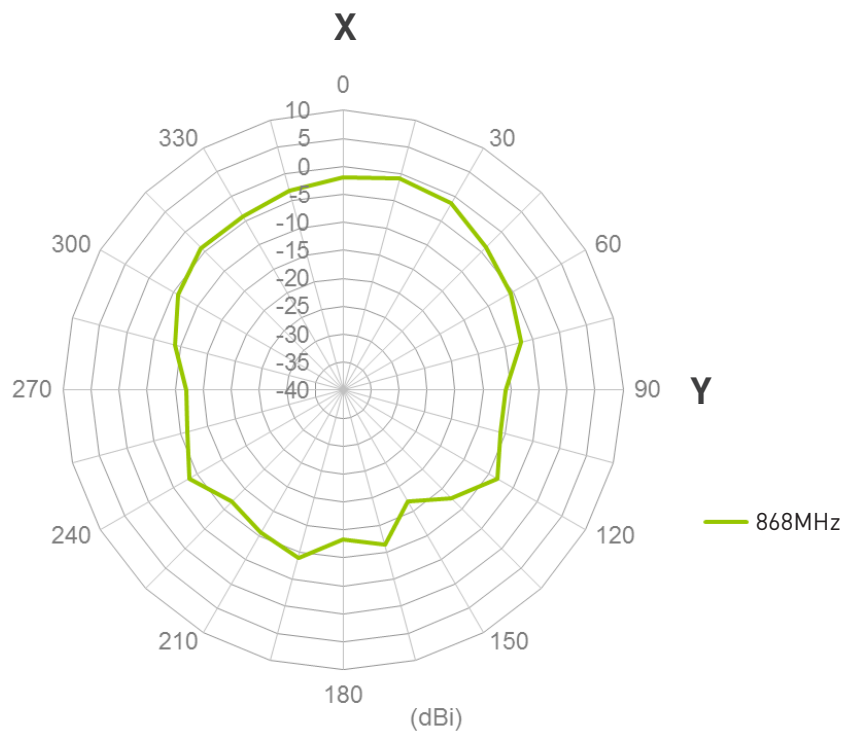
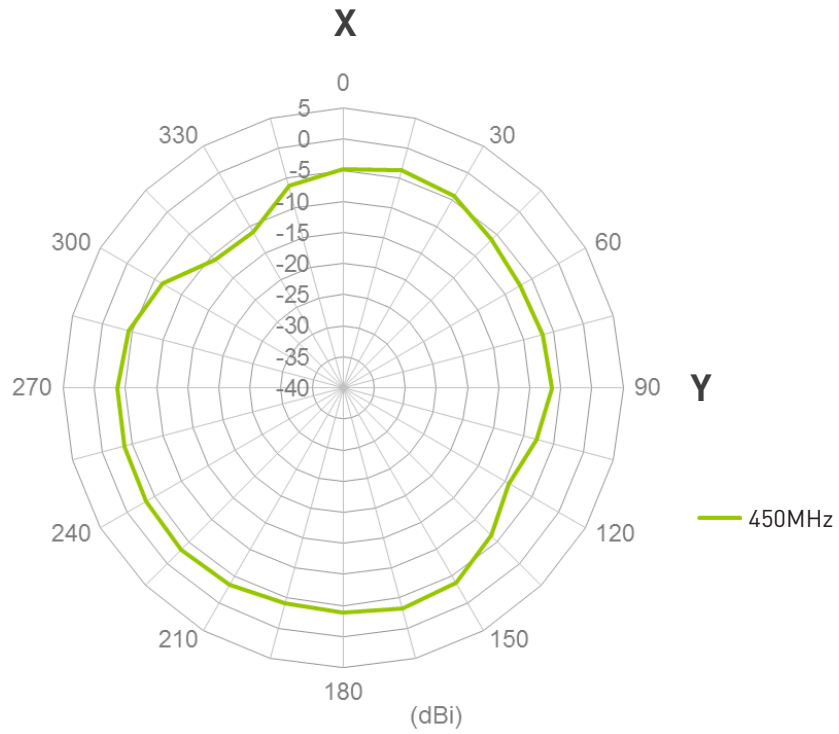
4.1 Antenna Setup

The antenna radiation pattern measured setup as shown below.



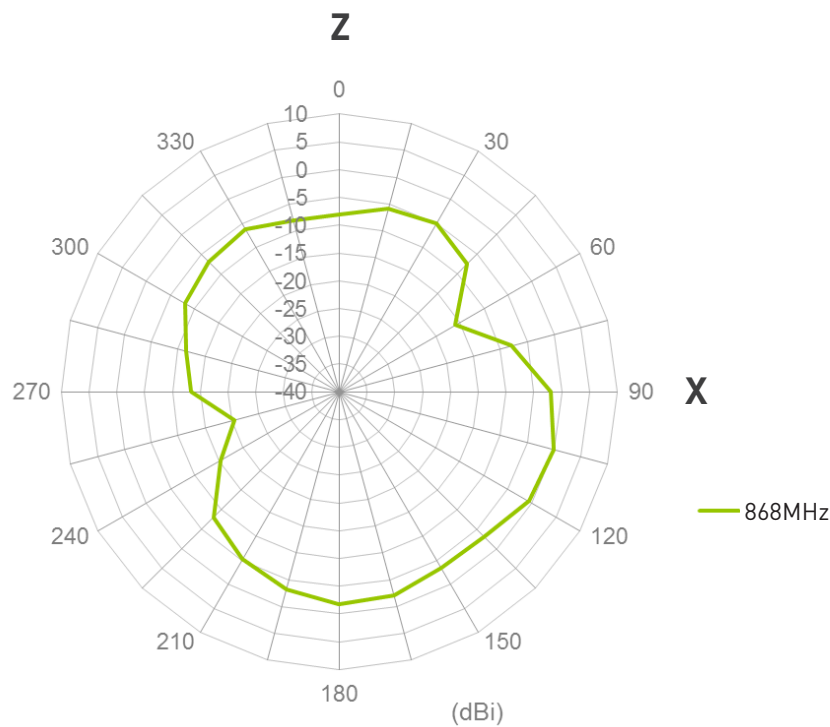
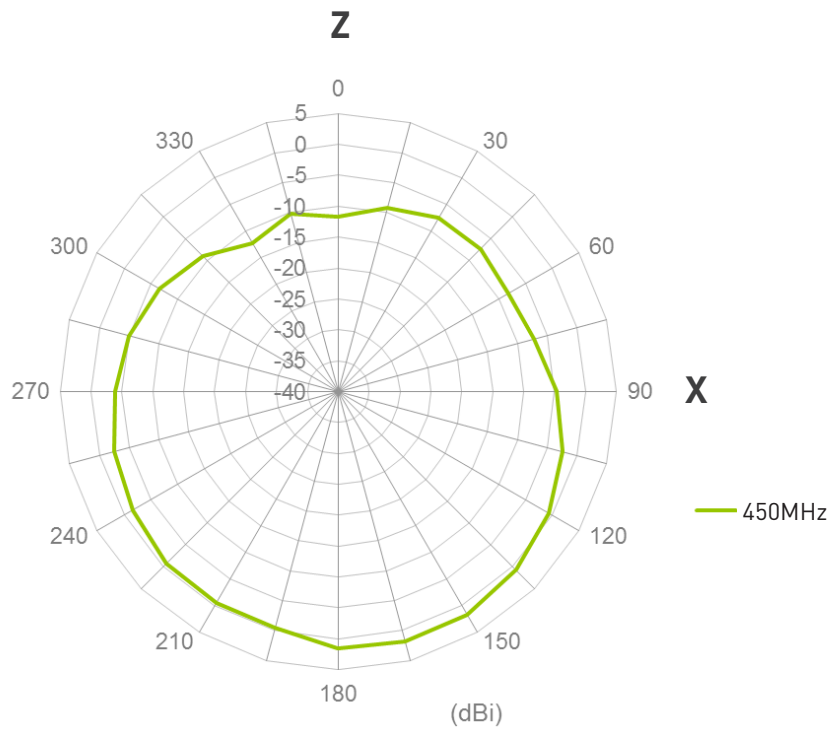
4.2 Antenna Radiation Patterns

XY-Plane



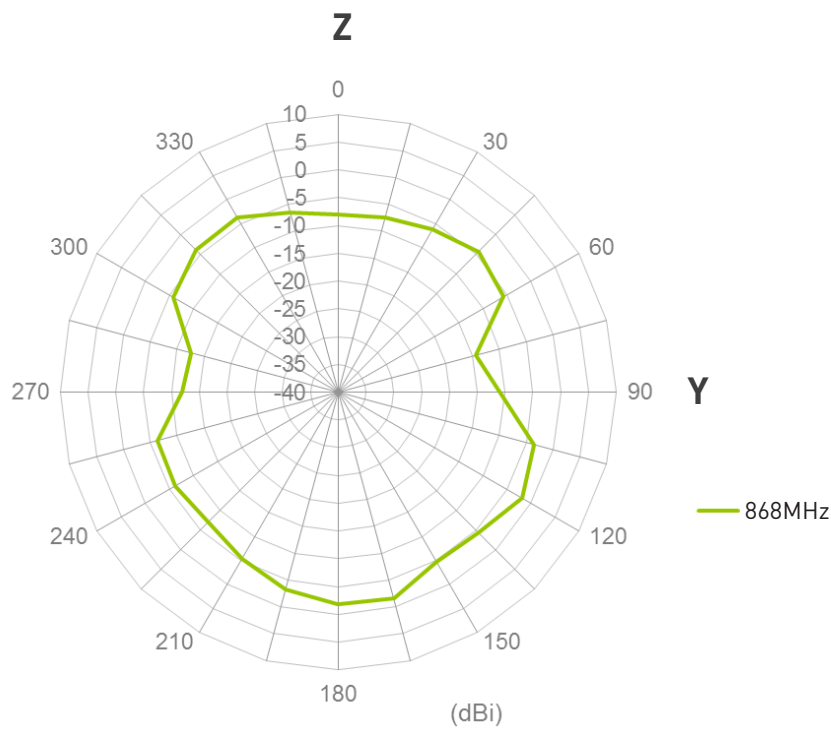
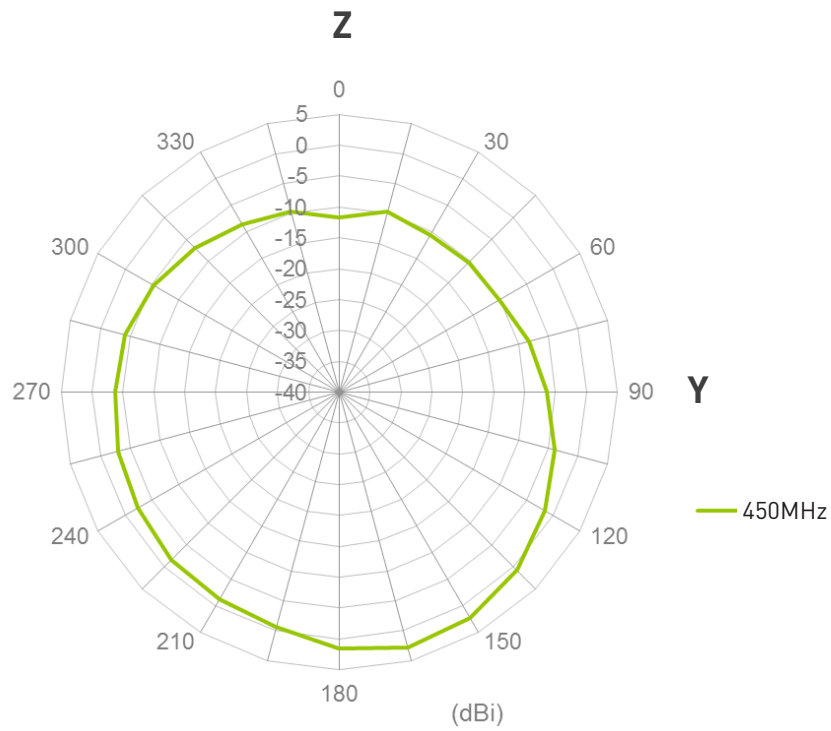
4.2 Antenna Radiation Patterns

XZ-Plane

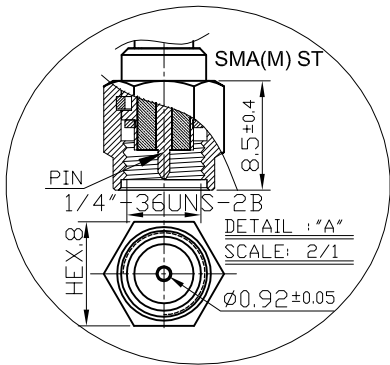


4.2 Antenna Radiation Patterns

YZ-Plane

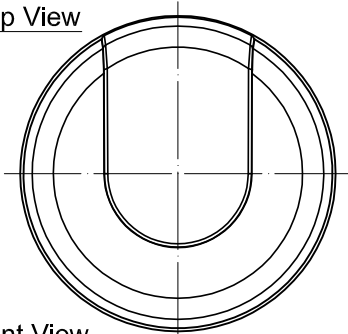


5. Drawing



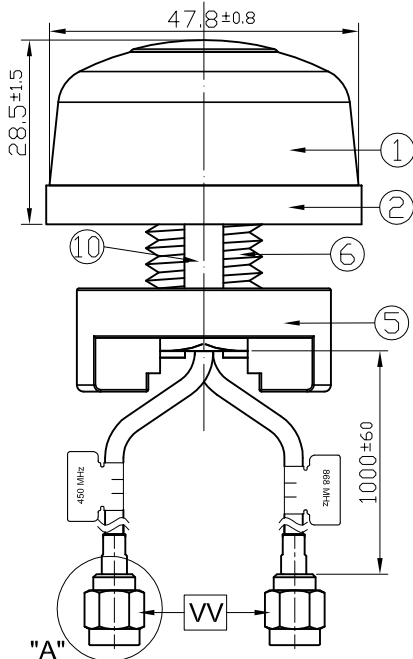
	Name	Material	Finish	QTY
1	Hercules Housing Not Squared Structure PC	PC	Black	1
2	Closed Cell Foam	CR 4305	Black	1
3	3M Double Adhesive	3M 9448 WC	White Liner	1
4	M18 Inner Nut	Steel Carbon	Ni Plated	1
5	Outer Nut Cover	ABS	Black	1
6	M18x2.5 Thread 14.6L	Zinc Alloy	Ni Plated	1
7	Heat Shrink Tube	PE	Black	2
8	450 MHz Label	Coated Paper	Yellow	1
9	868 MHz Label	Coated Paper	Brown	1
10	Rubber Stopper	Silicon Rubber	Black	1

Top View

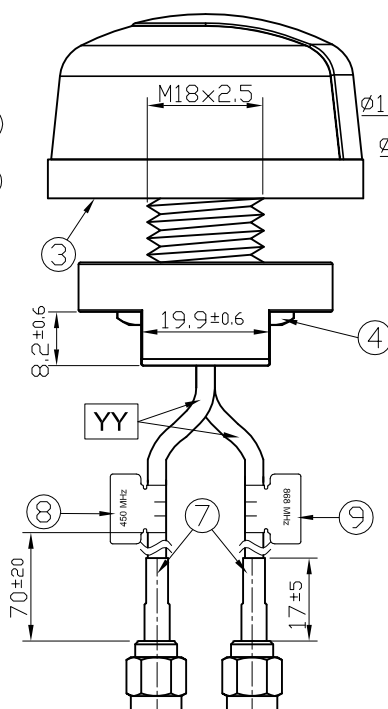


	Name	Spec	Finish	QTY
VV	Connector Type	SMA(M) ST	Gold	2
YY	Cable Type	RG316	Brown	2

Front View



Side View



Bottom Thread View



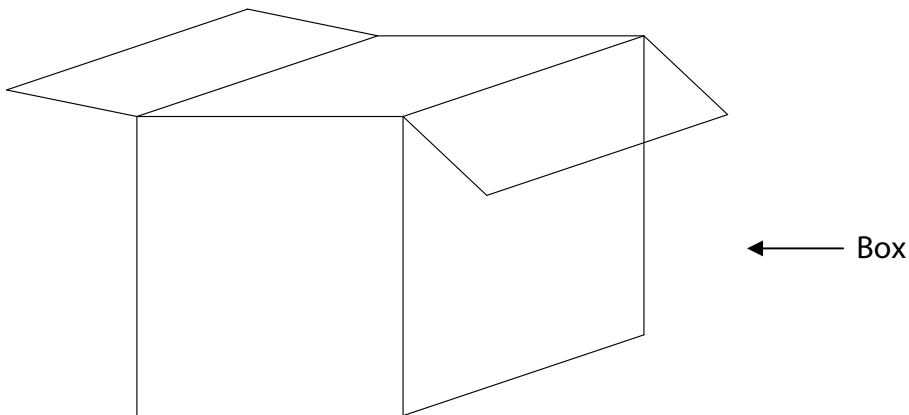
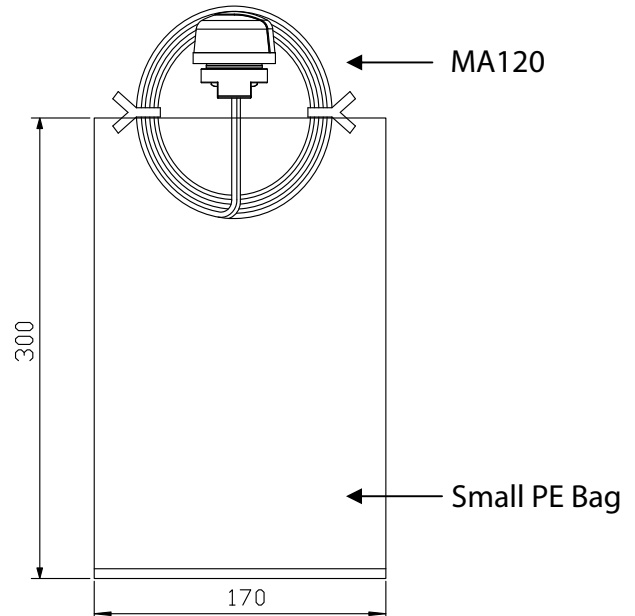
"A"
Notes

1.New Part #: MA.120.A.Q108111.P108111

6. Packaging

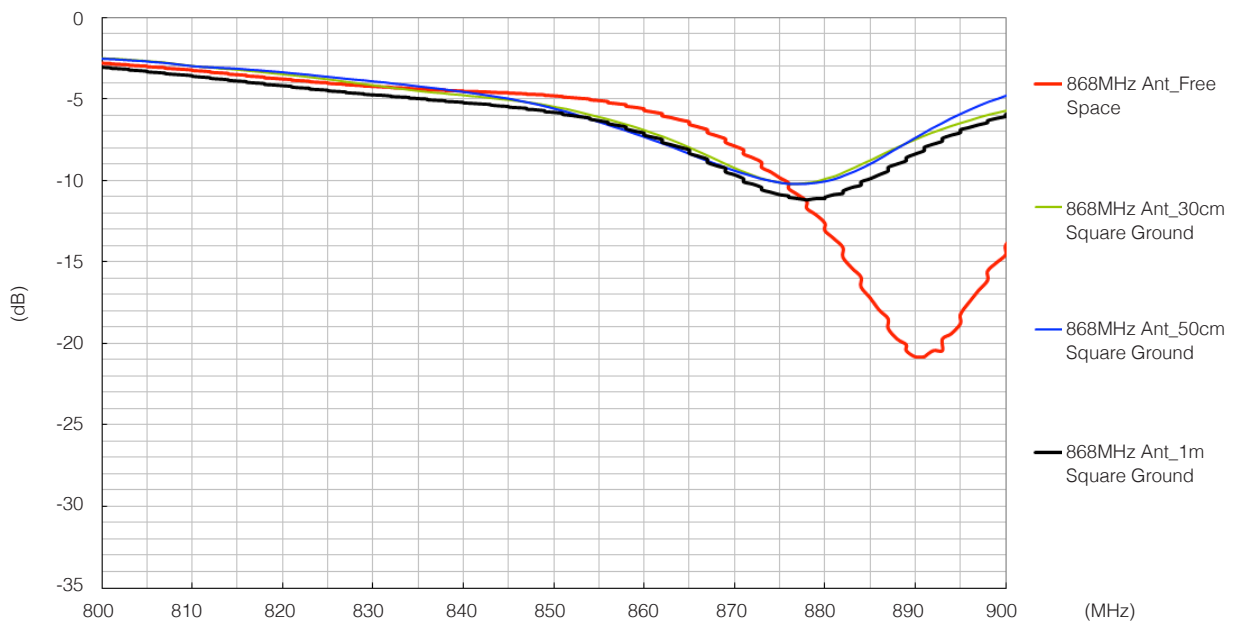
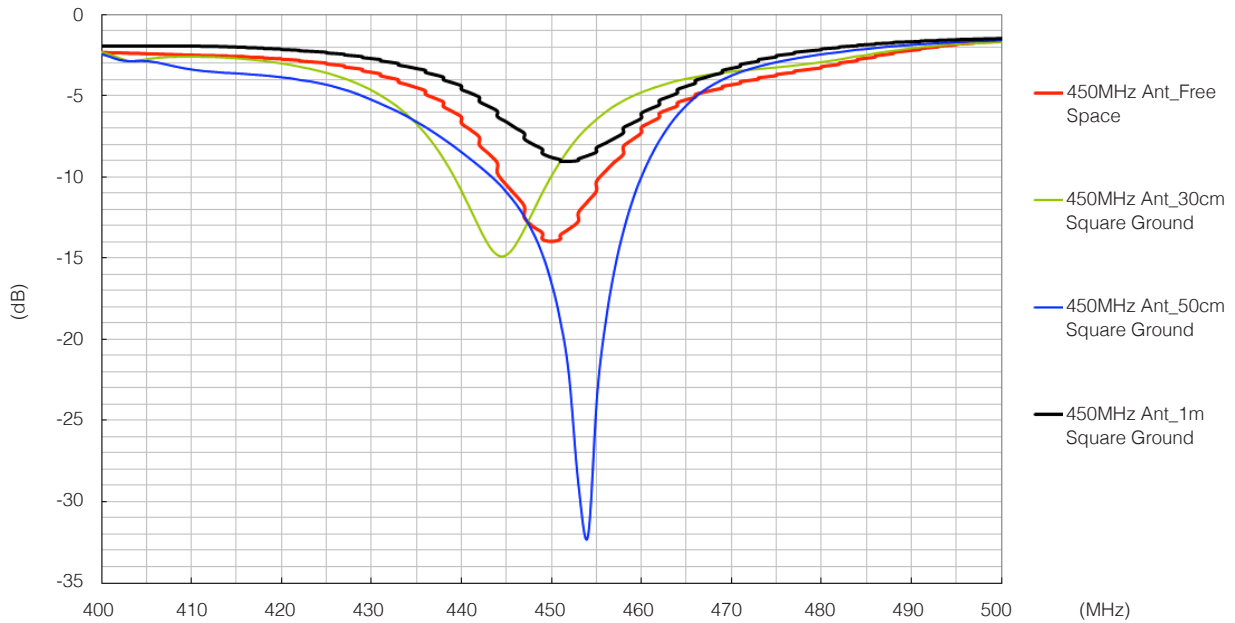
1 pcs antenna per small PE bag

40 small PE bags per box



7. Application Note

Taoglas provides this antenna return loss results with different ground conditions. Detail, please observe below.



Taoglas makes no warranties based on the accuracy or completeness of the contents of this document and reserves the right to make changes to specifications and

product descriptions at any time without notice. Taoglas reserves all rights to this document and the information contained herein.

Reproduction, use or disclosure to third parties without express permission is strictly prohibited. Copyright © Taoglas Ltd.