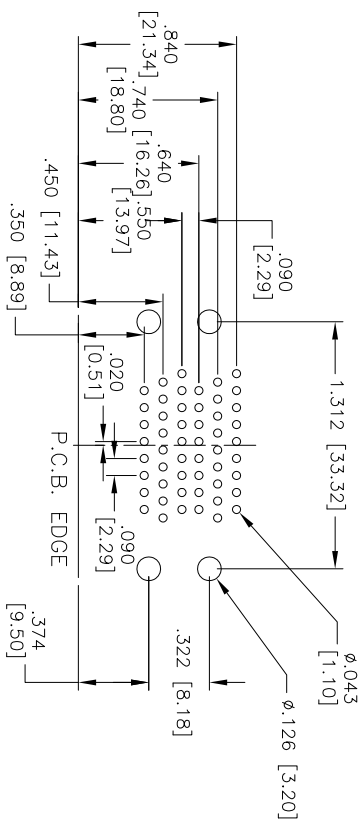
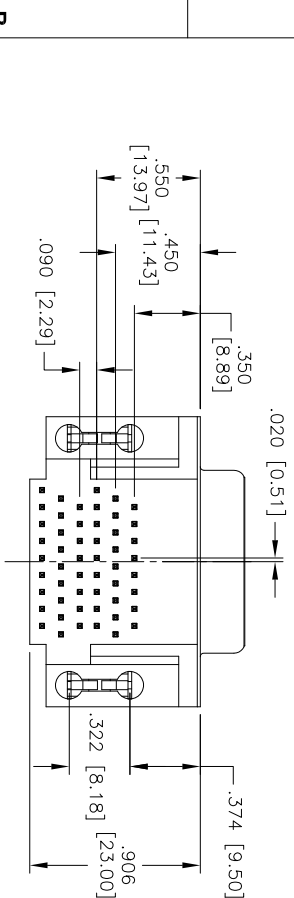
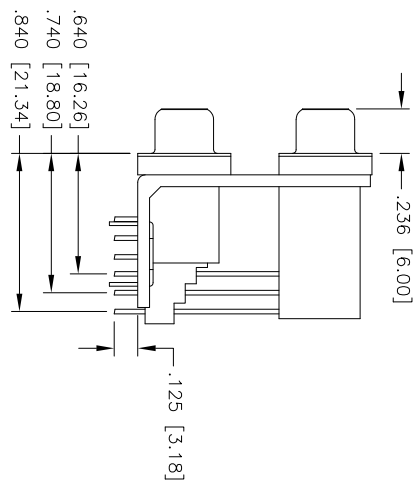
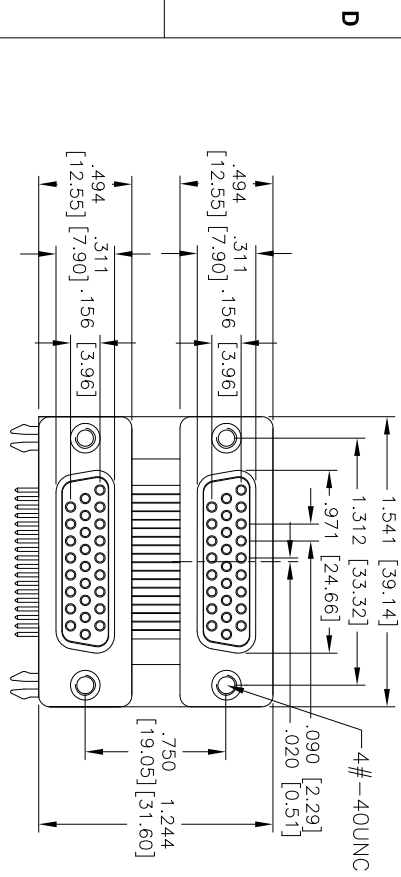


Rev	AWO #	Description	Date	Appr
-		RELEASED	3/03/09	

APPROVED: _____

DATE: _____ TITLE: _____



RECOMMENDED PCB LAYOUT

SPECIFICATIONS:

- Material: Insulator: PBT, rated UL 94V-0
- Insulator color: Black
- Contacts: Brass
- Shell: Steel, Nickel plated
- Plating: Gold flash over Nickel underplate overall

Electrical:

- Operating voltage: 250 VAC max.
- Current rating: 3 Amps max.
- Contact resistance: 25 milliohms max.
- Insulation resistance: 5,000 Megohms min.@DC 500V
- Dielectric withstanding voltage: 1,000 VAC for 1 minute
- Temperature Rating: Operating temperature: -55°C to +105°C

Environmental:

- Lead free, RoHS compliant.
- Recommended soldering temp: 235°C for 5 sec.



UNLESS OTHERWISE SPECIFIED ALL DIMENSIONS ARE MILLIMETERS TOLERANCES: EXCEPT AS NOTED INCHES HOLES	
.X ± 0.25	ØXX ± 0.13
.XX ± 0.15	
.XXX ± 0.05	
APPROVALS	DATE
DRAWN DY	3/03/09
CHECKED	
APPROVED	

ADAM TECH
 909 Rahway Avenue, Union, NJ 07083
 Phone: 908-687-5000 Fax: 908-687-5710

TITLE	DUAL PORT D-SUB, FEMALE / FEMALE
SIZE	HD26 OVER HD26, #4-40 THREADED HOLE
PART NO.	DPD-HD26-00-B3
REV.	
REF:	S00027T
SCALE:	NTS
SHEET	1 OF 1