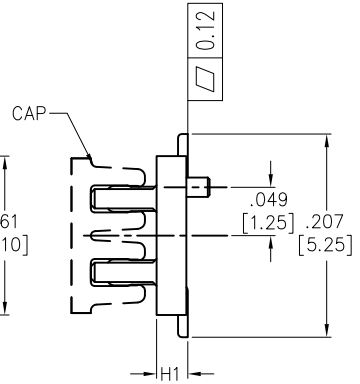
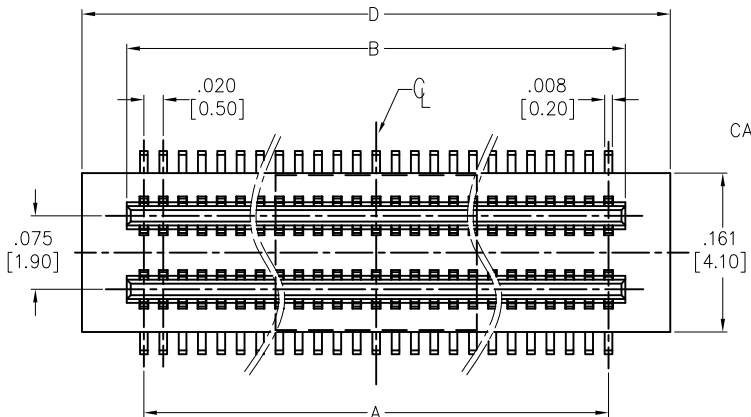
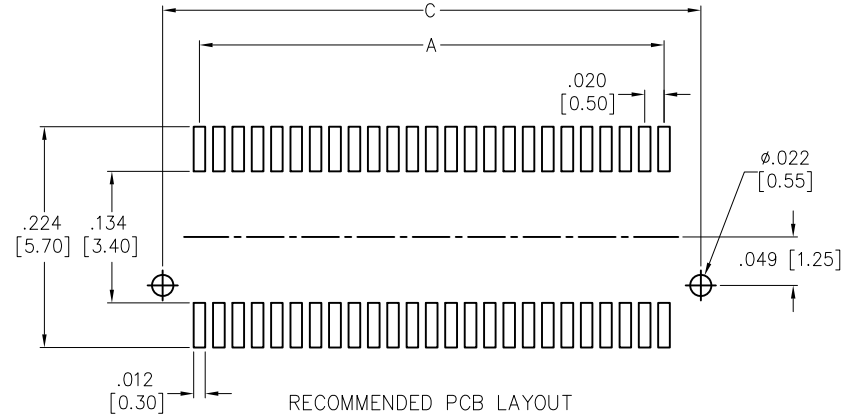
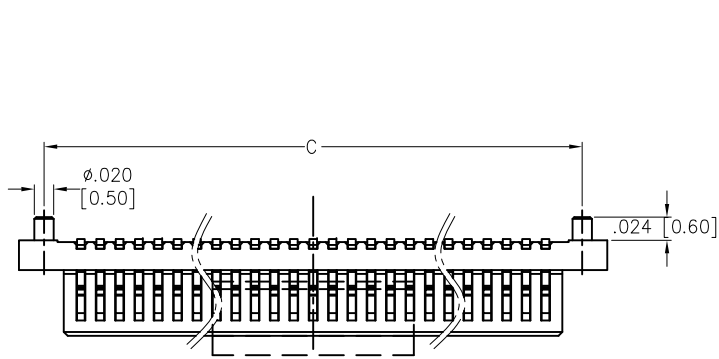


APPROVED: \_\_\_\_\_  
 DATE: \_\_\_\_\_ TITLE: \_\_\_\_\_

Rev	AWO #	Description	Date	Appr
-		RELEASED	11/11/15	
A		UPDATE SPEC.	12/1/15	AY/GC

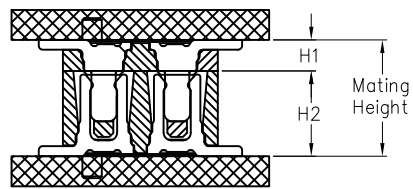


ADAM P/N	DIM. H1 (X.XX)	SOCKET DIM. H2(X.XX)	Mating Height
BB5-PW-XXX-G-0.80-PP-T/R	.031 [0.80]	.087 [2.20]	.118 [3.00]
BB5-PW-XXX-G-0.80-PP-T/R	.031 [0.80]	.106 [2.70]	.138 [3.50]
BB5-PW-XXX-G-1.00-PP-T/R	.039 [1.00]	.118 [3.00]	.157 [4.00]
BB5-PW-XXX-G-1.50-PP-T/R	.059 [1.50]	.118 [3.00]	.177 [4.50]
BB5-PW-XXX-G-1.50-PP-T/R	.059 [1.50]	.157 [4.00]	.217 [5.50]
BB5-PW-XXX-G-2.00-PP-T/R	.079 [2.00]	.118 [3.00]	.197 [5.00]
BB5-PW-XXX-G-2.00-PP-T/R	.079 [2.00]	.157 [4.00]	.236 [6.00]
BB5-PW-XXX-G-2.00-PP-T/R	.079 [2.00]	.157 [4.50]	.256 [6.50]

Mated with: BB5-SW-XXX-G-X.XX-PP-T/R

**SPECIFICATIONS:**

Material:  
 Insulator: Hi-Temp Thermoplastic, rated UL 94V-0  
 Insulator color: Natural  
 Contacts: Phosphor Bronze  
 Plating:  
 Gold flash over Nickel underplate overall  
 Electrical:  
 Operating voltage: 50 VAC/DC  
 Current rating: 0.5 A  
 Contact resistance: 50 mohms max.  
 Insulation resistance: 100 Mohms min.  
 Temperature Rating:  
 Operating temperature: -20°C to +105°C  
 Environmental:  
 Lead free, RoHS compliant



ASSEMBLY VIEW



**PACKAGED ON TAPE & REEL**

Positions: Asking for available contacts

- A = .020 [0.50] x No. of Spaces
- B = .020 [0.50] x No. of Spaces + .035 [0.88]
- C = .020 [0.50] x No. of Spaces + .075 [1.90]
- D = .020 [0.50] x No. of Spaces + .126 [3.20]

UNLESS OTHERWISE SPECIFIED ALL DIMENSIONS ARE INCHES [MM] TOLERANCES: EXCEPT AS NOTED		
.X ± .10	∅X ± .10	HOLES
.XX ± .020	∅XX ± .015	
.XXX ± .015	∅XXX ± .010	
APPROVALS		DATE
DRAWN	AY	11/11/15
CHECKED	GC	11/11/15
APPROVED		

**ADAM TECH**  
 909 Rahway Avenue, Union, NJ 07083  
 Phone: 908-687-5000 Fax: 908-687-5710

TITLE: .020 [0.50] BOARD TO BOARD PLUG  
 .031 [0.80] HEIGHT, SMT TYPE, W/CAP

SIZE	PART NO.	REV.
X	BB5-PW-XXX-G-X.XX-PP-T/R	A

REF: S00019C SCALE: NTS SHEET 1 OF 1