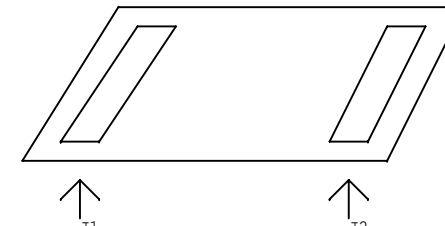


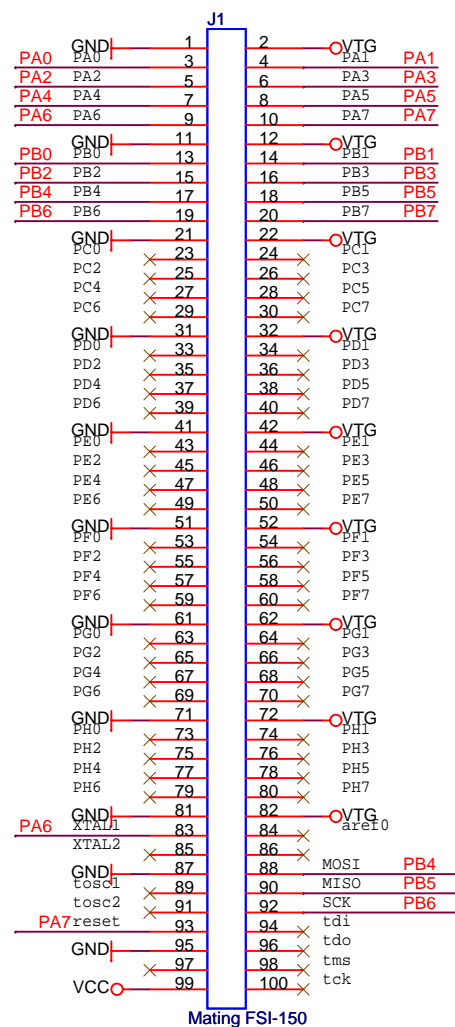
# ATTiny23U / ATTiny43U Routing&Socket card

See layout guidelines for floorplan  
Keep capacitors close to IC pins

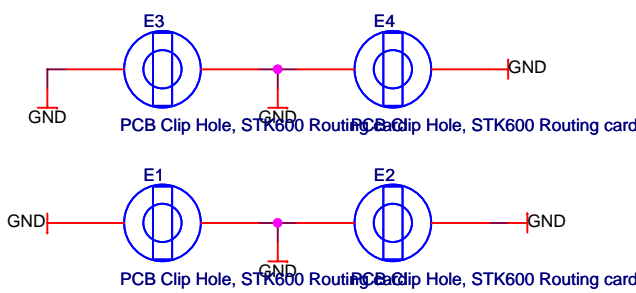
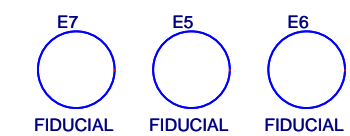
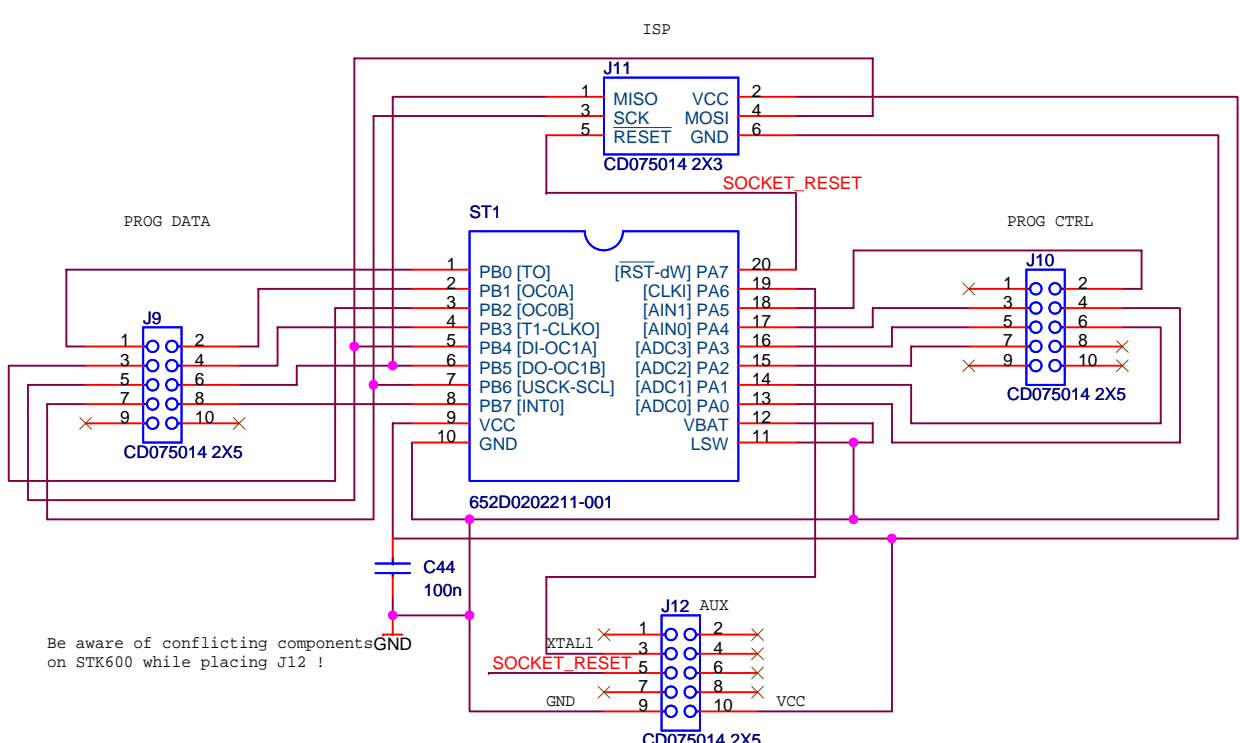
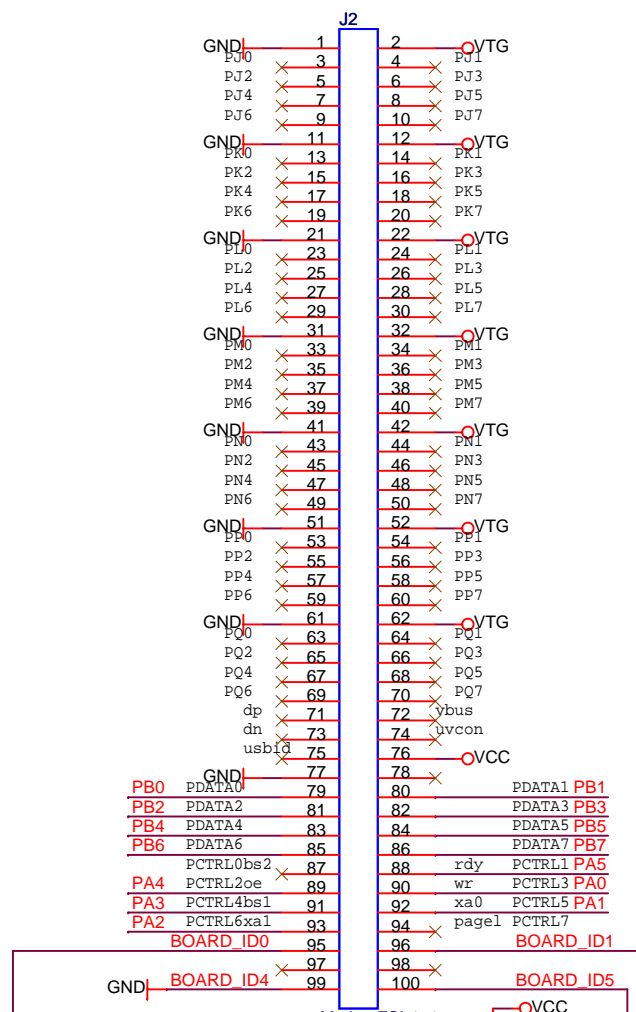
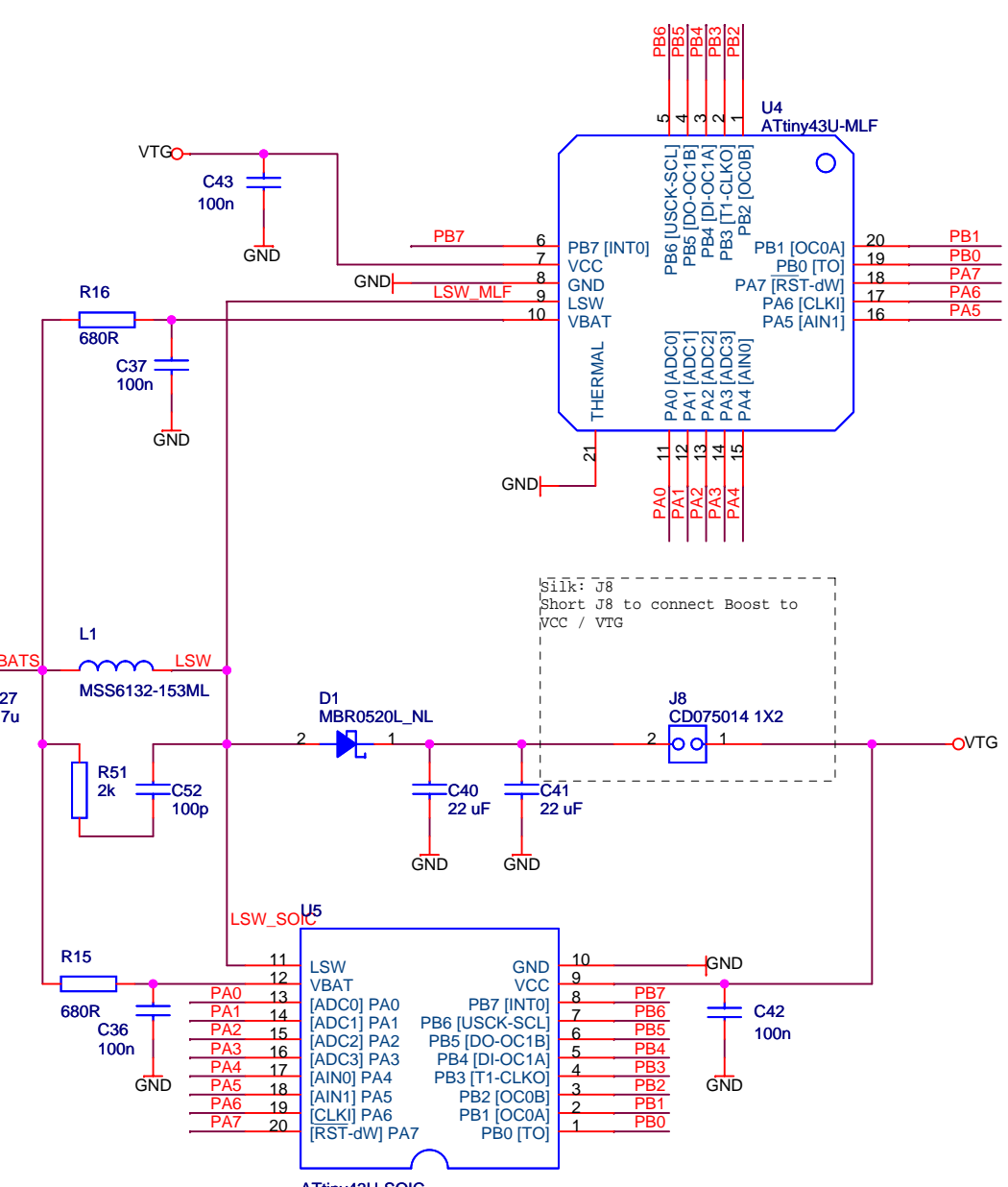
J1 and J2 goes down to the mother board.



SILK: USAGE:  
BOOST regulator:  
open Vtarget jumper on mainboard  
short J8  
strap wire from mainboard Vtarget pin1 to J3 (Vbat) pin 1  
w/o BOOST regulator  
short J3 (Vbat)  
open J8  
short Vtarget jumper on mainboard



Silk: J3 (Vbat)  
"pin1 +" and "pin2 -"  
NOTE: When connecting external power to J3  
- open Vtarget on mainboard  
- short J8

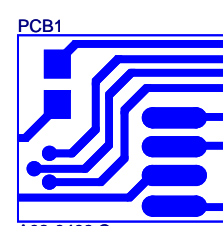


ATMEL Norway AS  
Vestre Rosten 79  
N-7075 TILLER  
Norway

Title: STK600 socket card ATTiny23V / ATTiny43V

Size: A3 | Document Number: <Doc> | Rev: PC2

Date: Wednesday, March 05, 2008 | Sheet: 1 of 1



A08-0409.C