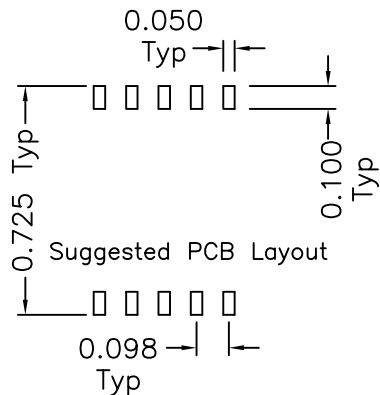
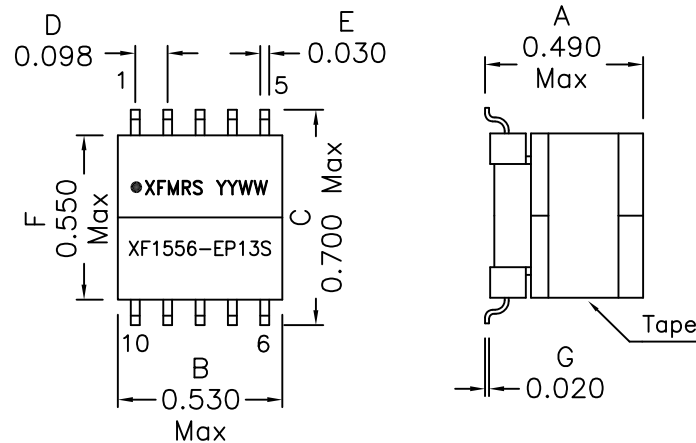
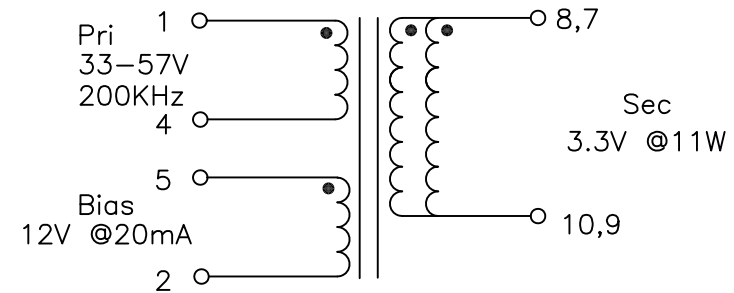


## 1. Mechanical Dimensions:



## 2. Schematic:



## 3. Electrical Specifications:

- OCL: Pins 1-4 155.5uH±10% @200KHz 0.1V  
 Pins 1-4 135uH Min @200KHz 0.1V, 475mAdc
- Q: Pins 1-4 40 Min @200KHz 0.1V
- LL: Pins 1-4 5uH Max @200KHz 0.1V, (Short All Else)
- Cw/w: Pins 1-10 115pF Max @100KHz 0.1V (short pri; sec)
- DCR: Pins 1-4 0.330 Ohms Max  
 Pins 5-2 0.650 Ohms Max  
 Pins 8-10, 7-9 0.011 Ohms Max (parallel - ref only)  
 Pins 8-10, 7-9 0.022 Ohms Max (each)
- Turns Ratio: Pins (1-4):(7,8-9,10):(5-2) = 1.0: 0.167: 0.639
- Hipot: 1500Vrms Pri & Bias to Sec

### Notes:

- Solderability: Leads shall meet MIL-STD-202G, Method 208H for solderability.
- Flammability: UL94V-0
- ASTM oxygen index: > 28%
- Insulation System: Class F 155°C. UL file E151556
- Operating Temperature Range: All listed parameters are to be within tolerance from -40°C to +130°C
- Storage Temperature Range: -55°C to +125°C
- Aqueous wash compatible
- SMD Lead Coplanarity: ±0.004"(0.102mm)
- Electrical and mechanical specifications 100% tested
- RoHS Compliant Component

DOC. REV: A/1

<b>XFMRs Inc</b> www.XFMRs.com		Title: <b>11W PoE Transformer</b>	
UNLESS OTHERWISE SPECIFIED		P/N: XF1556-EP13S	REV. A
TOLERANCES: .xxx ±0.010		DWN.	Yuan
Dimensions in INCH		CHK.	YK Liao
SHEET 1 OF 1		APP.	Joe Huff
			Sep-19-12
			Sep-19-12
			Sep-19-12