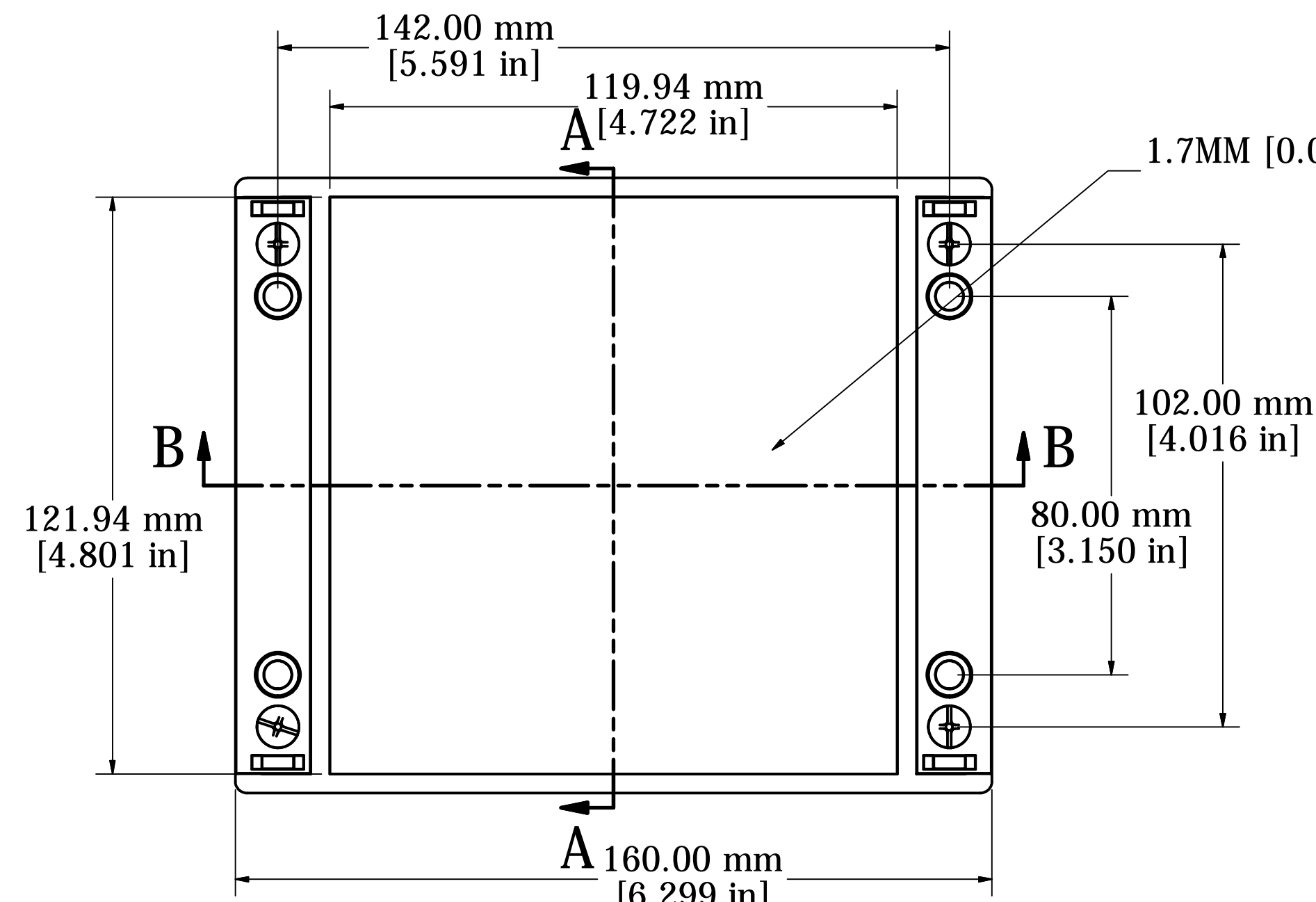
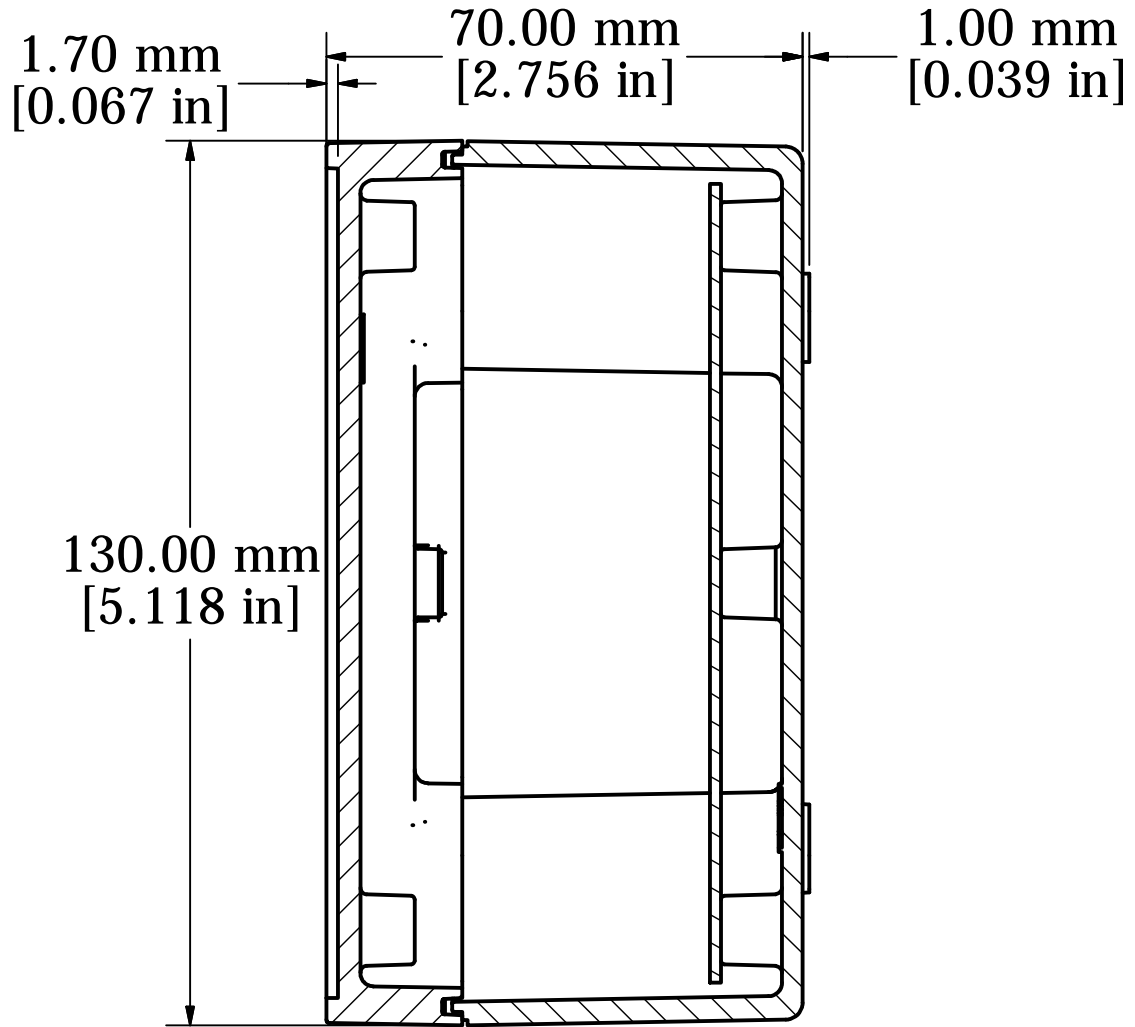


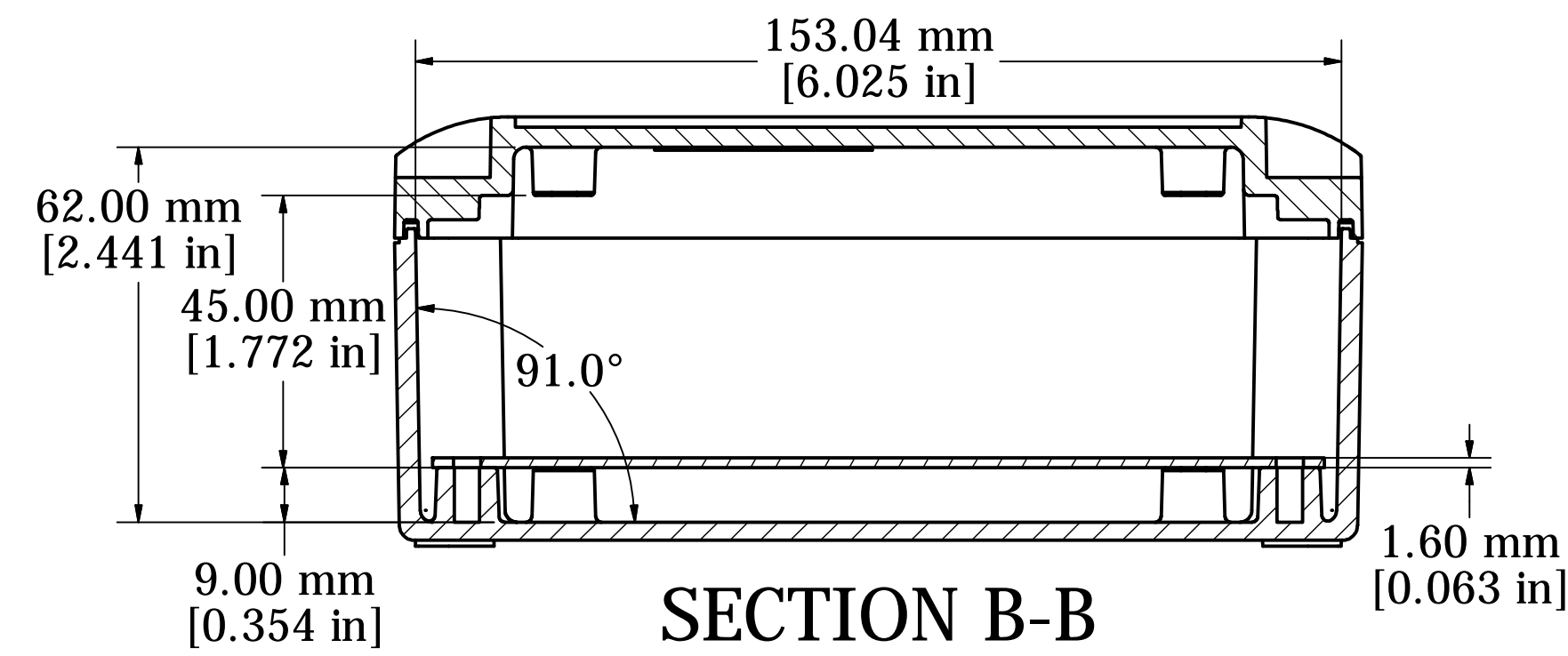
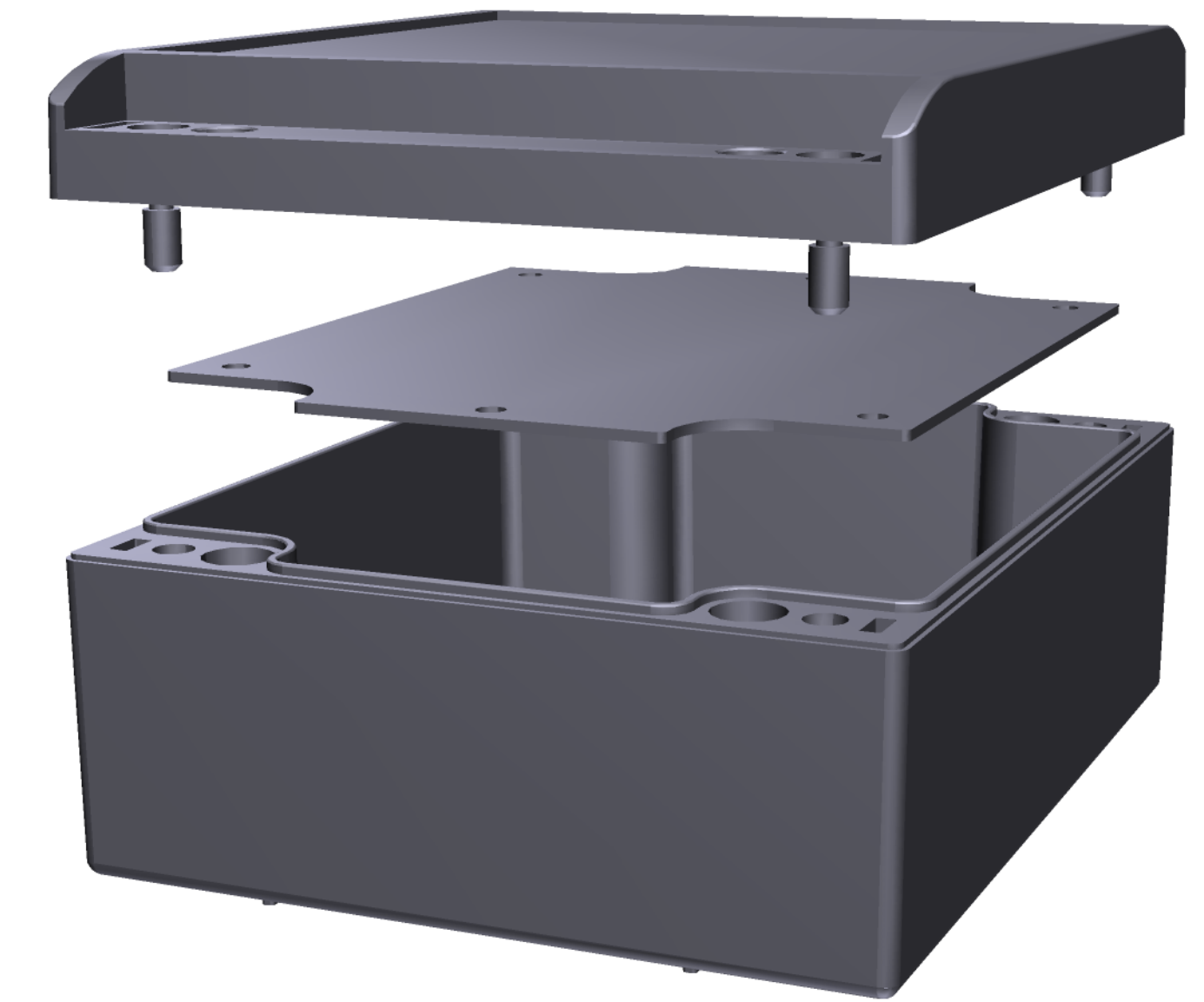
8 7 6 5 4 3 2 1



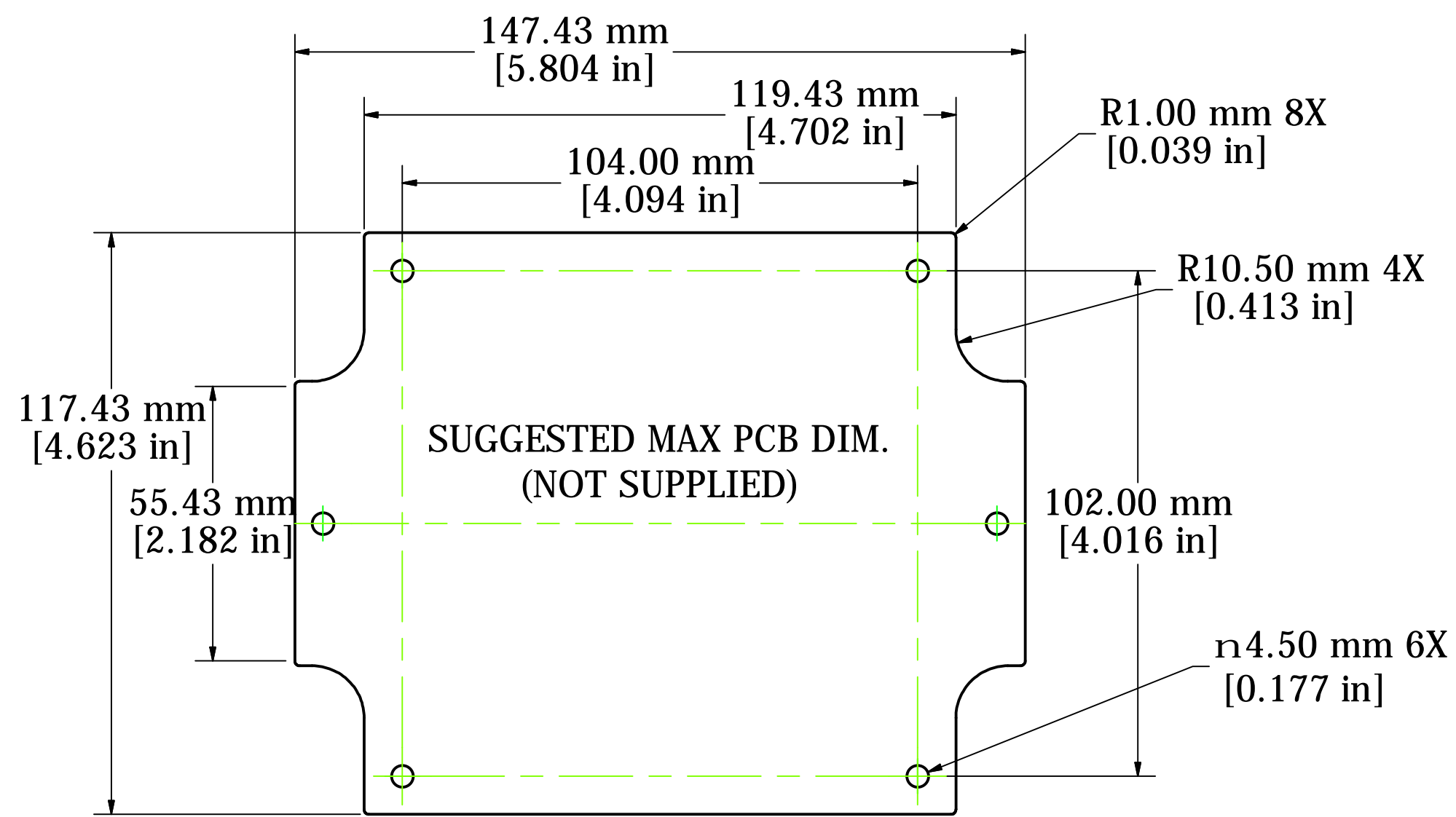
ASSEMBLY - TOP VIEW



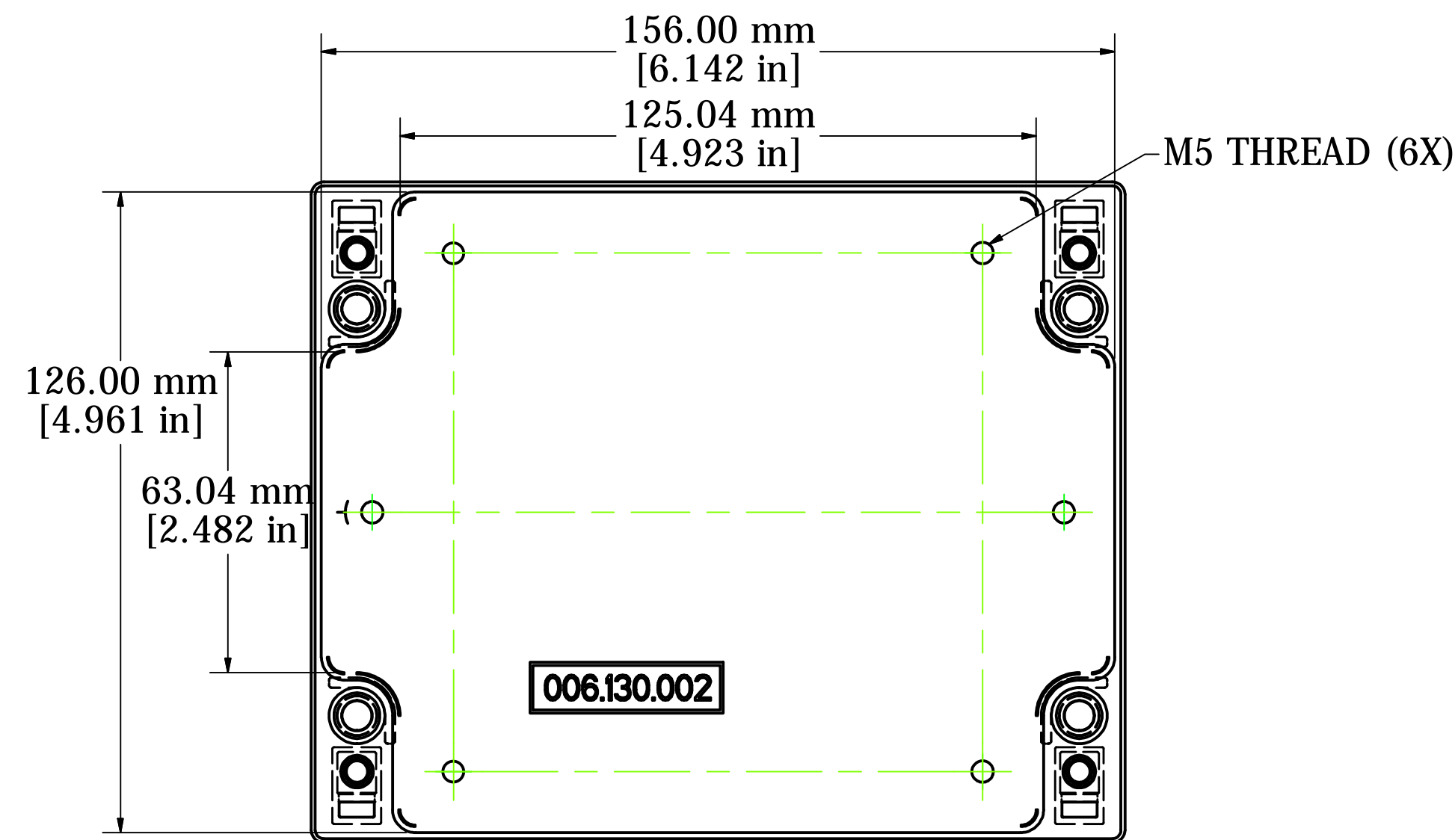
SECTION A-A



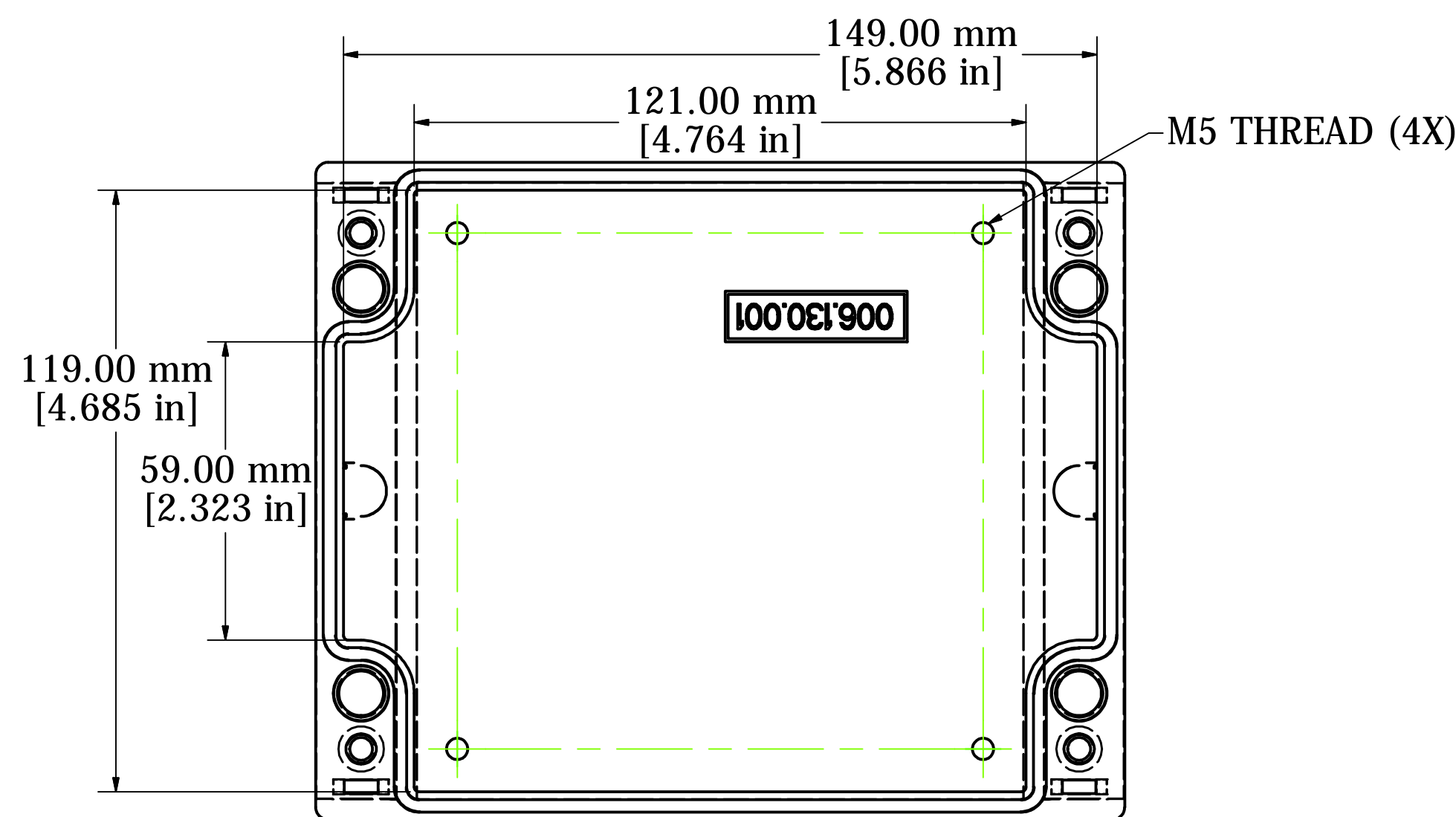
SECTION B-B



PCB



BOX - INSIDE VIEW



LID - INSIDE VIEW

Enclosures can be Factory Modified (Milling, Drilling, Printing etc.)
 Contact Factory mjm@hammondmfg.com for quotes
 Solid models of this enclosure available in STEP or IGES.

| NOTE |
|--|
| Purchased Assembly includes: |
| Top and Bottom Cover (Die-cast aluminum G Al Si 12 / DIN 1725) |
| 4 Captive Stainless Steel Screws. |
| Standard Powder Coated (Silky Grey RAL 7040) |
| POM Design Covers |
| Integrated Lid Support |

**HAMMOND
MANUFACTURING™**
R190-130-000
www.hammondmfg.com

8 7 6 5 4 3 2 1