



Frequency Generator and Integrated Buffer for PowerPC®

General Description

The ICS9160-03 generates all clocks required for high speed RISC microprocessor systems based on the PowerPC 603 and 604. Five different frequency multiplying factors are selectable and offer smooth frequency transitions. BCLK signals are synchronous to PCLK and operate at PCLK/2 for optimum synchronous PCI bus performance. The multiplying and ratio factors can be customized for specific applications.

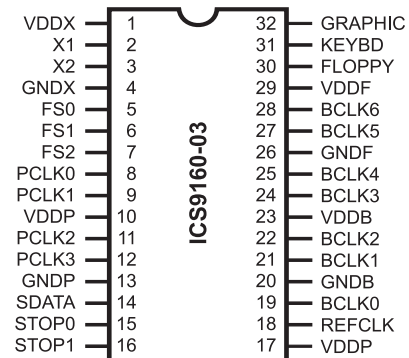
Both individual and group glitch-free stop and start of the clock signals are provided, as well as a power-down mode to minimize power consumption. The individual stop and start is provided through a serial interface control.

A global output enable pin simplifies production board testing, and a test mode is available to aid in system design and diagnostics.

Features

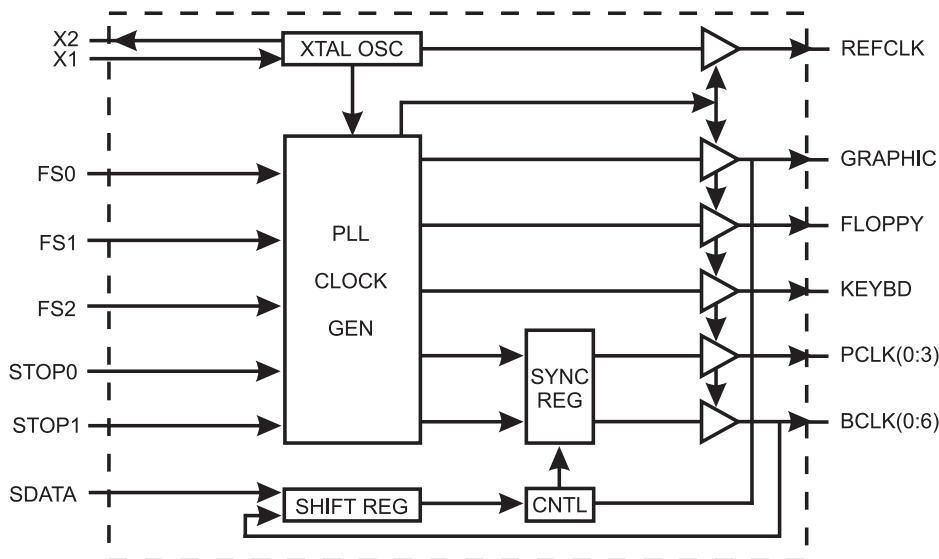
- Generates four processor and seven synchronous bus clocks plus graphic, floppy, keyboard and reference clocks
- Selectable 33.3/50/60/66.6/80 MHz PCLKs
- ±150ps maximum PowerPC PLL in-band jitter
- All synchronous clocks skew matched to ±250ps
- Individual or group stop-clock control
- Power-down modes minimize standby current
- Custom configurations available
- 3.0V - 5.5 supply range
- 32-pin SOIC package

Pin Configuration



28-Pin SOIC

Block Diagram





Pin Descriptions

PIN NUMBER	PIN NAME	TYPE	DESCRIPTION
2	X1	IN	XTAL or external reference frequency input. This input includes XTAL load capacitance and feedback bias for a 10-30 MHz XTAL.**
3	X2	OUT	XTAL output which includes XTAL load capacitance.**
1 4	VDDX GNDX	PWR	XTAL oscillator circuit and REFCLK output power supplies.
5, 6, 7	FS(0:2)	IN	Frequency selection address pins. These inputs have pull-ups.
8, 9, 11, 12	PCLK(0:3)	OUT	Processor clock outputs which are a multiple of the input reference frequency as shown in the table below.
10, 17 13	VDDP GNDP	PWR	PCLK power supplies. VDDP powers the internal PCLK PLL and the PCLK(0:3) outputs.
14	SDATA	IN	Serial stop clock data is clocked in on the falling edge of BCLK. A total of 15 bits must be clocked in using the following protocol. SDATA is sampled on the falling edge of BCLK, so the data generator should change data on the rising edge of BCLK to ensure proper communication. SDATA must be low for one BCLK period as a start bit. The next 15 rising edges of BCLK will clock data in serially. The 16th clock enables the serial data to take effect. Outputs associated with serial data bits that are a one will continue without interruption. Clocks associated with serial data bits that are a zero will be stopped in the low state glitch-free, that is, no short clocks with the exception of REFCLK and KEYBD which do not stop. This input has an internal pull-up device.
15, 16	STOP(0:1)	IN	Stop clock control pins used for glitch-free start and stop of the clock outputs as described in the table on the next page. These inputs have internal pull-up devices.
18	REFCLK	OUT	Buffered copy of the crystal reference frequency.
19, 21, 22, 24, 25, 27, 28	BCLK(0:6)	OUT	Bus clock outputs having selectable frequency based on the FS(0:2) inputs (see table on next page).
20 23	GNDP VDDP	PWR	BCLK power supplies. VSSB and VDDP power BCLK(0:6).
26 29	GNDF VDDF	PWR	Fixed clock power supplies. VSSF and VDDF power GRAPHIC, FLOPPY and KEYBD outputs plus the fixed clock PLL.
30	FLOPPY	OUT	The floppy clock output operates at 24 MHz.*
31	KEYBD	OUT	The keyboard clock output operates at 12 MHz.*
32	GRAPHIC	OUT	The graphics system clock output operates at 40 MHz.*

* Frequencies assuming an input or crystal of 14.318 MHz.

** Device provides 18pF load capacitance for crystal.



Functionality

FS2	FS1	FS0	X1, REFCLK (MHz)	PCLK (0:3) (MHz)	BCLK (0:6) (MHz)	GRAPHIC (MHz)	FLOPPY (MHz)	KEYBD (MHz)
0*	0*	0*	Tristate	Tristate	Tristate	Tristate	Off	Tristate
0*	0*	1*	H/L*	Off	Off	H/L*	H/L*	H/L*
0	1	0	14.318	33.3	16.6	40.0	24.0	12.0
0	1	1	14.318	50.0	25.0	40.0	24.0	12.0
1	0	0	14.318	60.0	30.0	40.0	24.0	12.0
1	0	1	14.318	66.6	33.3	40.0	24.0	12.0
1	1	0	14.318	80.0	40.0	40.0	24.0	12.0
1	1	1	TCLK**	TCLK/2	TCLK/4	TCLK/3	TCLK/5	TCLK/10

* The oscillator and all PLLs are stopped to minimize power consumption in modes '000' and '001.' All outputs maintain their last stable value in mode '001.' Control signals STOP0 and STOP1 can be used to ensure glitch-free start and stop when entering mode '001,' provided mode '001' is entered after the clocks have stopped and exited 10ms (maximum PLL lock time) prior to starting clocks.

** X1 is externally driven with TCLK in mode '111.'

Group Clock Control

STOP1 +	STOP0 +	SDATA *	PCLK (0:1)	PCLK (2:3)	BCLK (0;6)	GRAPHIC, FLOPPY	KEYBD, REFCLK
0	0	1	Low	Low	Low	Low	Running
0	1	1	Low	Low	Running	Running	Running
1	0	1	Low	Running	Running	Running	Running
1	1	1	Running	Running	Running	Running	Running

Outputs stop and start glitch-free within on-clock period. Outputs will not change state if the PLLs are off.

* Each output can be stopped and started glitch-free as described in the SDATA pin description above.

+SDATA control and STOP(0:1) control are logically ORed for each individual clock.



Preliminary Product Preview

Absolute Maximum Ratings

Supply Voltage	7.0 V
Logic Inputs	GND -0.5V to V _{DD} +0.5V
Ambient Operating Temperature	0 to +70°C
Storage Temperature	-65°C to +150°C

Stresses above those listed under Absolute Maximum Ratings may cause permanent damage to the device. This is a stress rating only and functional operation of the device at these or any other conditions above those indicated in the operational sections of the specifications is not implied. Exposure to absolute maximum rating conditions for extended periods may affect product reliability.

Electrical Characteristics at 3.3V

V_{DD} = 3.0 – 3.7 V, T_A = 0 – 70°C unless otherwise stated

DC Characteristics						
PARAMETER	SYMBOL	TEST CONDITIONS	MIN	TYP	MAX	UNITS
Input Low Voltage	V _{IL}		-	-	0.2V _{DD}	V
Input High Voltage	V _{IH}		0.7V _{DD}	-	-	V
Input Low Current	I _{IL}	V _{IN} =0V	-	10.5	28.0	mA
Input High Current	I _{IH}	V _{IN} =V _{DD}	-5.0	-	5.0	mA
Output Low Current	I _{OL} ¹	V _{OL} =0.8V; for PCLKS & BCLKS	30.0	47.0	-	mA
Output High Current	I _{OH} ¹	V _{OL} =2.0V; for PCLKS & BCLKS	-	-66.0	-42.0	mA
Output Low Current	I _{OL} ¹	V _{OL} =0.8V; for fixed CLKs	25.0	38.0	-	mA
Output High Current	I _{OH} ¹	V _{OL} =2.0V; for fixed CLKs	-	-47.0	-30.0	mA
Output Low Voltage	V _{OL}	I _{OL} =15mA; for PCLKS & BCLKS	-	0.3	0.4	V
Output High Voltage	V _{OH} ¹	I _{OH} =-30mA; for PCLKS & BCLKS	2.4	2.8	-	V
Output Low Voltage	V _{OL} ¹	I _{OL} =12.5mA; for fixed CLKs	-	0.3	0.4	V
Output High Voltage	V _{OH} ¹	I _{OH} =-20mA; for fixed CLKs	2.4	2.8	-	V
Supply Current	I _{CC}	@66.66 MHz; all outputs unloaded	-	60	130	mA

Note 1: Parameter is guaranteed by design and characterization. Not 100% tested in production.



Electrical Characteristics at 3.3V

V_{DD} = 3.0 – 3.7 V

AC Characteristics						
PARAMETER	SYMBOL	TEST CONDITIONS	MIN	TYP	MAX	UNITS
Rise Time	T _r ¹	20pF load, 0.8 to 2.0V	-	1.5	3	ns
Fall Time	T _f ¹	20pF load, 2.0 to 0.8V	-	0.9	2	ns
Rise Time	T _r ¹	20pF load, 20% to 80%	-	2	4.5	ns
Fall Time	T _f ¹	20pF load, 80% to 20%	-	1.8	4.25	ns
Duty Cycle	D _t ¹	20pF load	40	50	60	%
Jitter, One Sigma	T _{j1s} ¹	PCLK & BCLK Clocks; Load=20pF, FOUT>25 MHz	-	50	150	ps
Jitter, Absolute	T _{jab} ¹	PCLK & BCLK Clocks; Load=20pF, FOUT>25 MHz	-250	-	250	ps
Jitter, One Sigma	T _{j1s} ¹	Fixed CLK and BCLK < 25 MHz and Fixed CLK; Load=20pF	-3.0	1	3.0	%
Jitter, Absolute	T _{jab} ¹	Fixed CLK and BCLK < 25 MHz; Load=20pF	-5.0	2	5.0	%
Input Frequency	F _i ¹		-	14.318	-	MHz
Clock Skew	T _{sk} ¹	PCLK to PCLK; Load=20pF; @ 1.4V	-250	50	250	ps
Clock Skew	T _{sk} ¹	BCLK0 to other BCLK; Load=20pF; @ 1.4V	-500	90	500	ps
Clock Skew	T _{sk} ¹	PCLK to BCLK; Load=20pF; @ 1.4V	1	2.6	5	ns

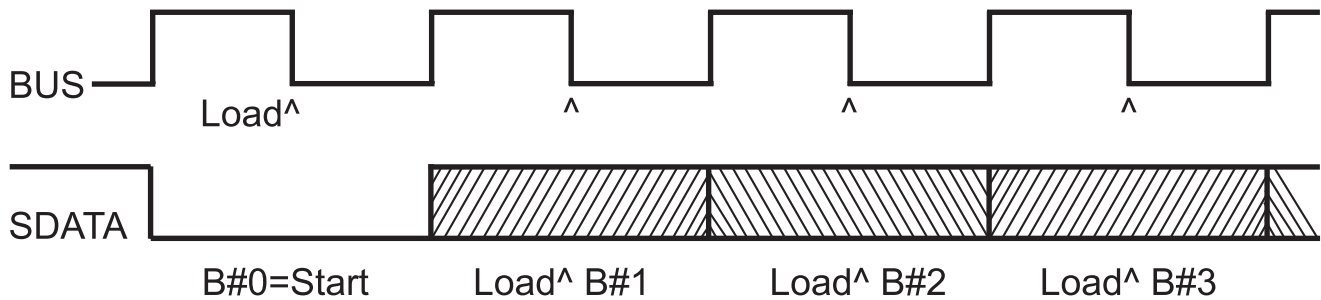
Note 1: Parameter is guaranteed by design and characterization. Not 100% tested in production.

Note 2: Jitter spectrum meets PowerPC PLL natural frequency in-band requirements of less than ±150ps.

ICS9160-03



Preliminary Product Preview



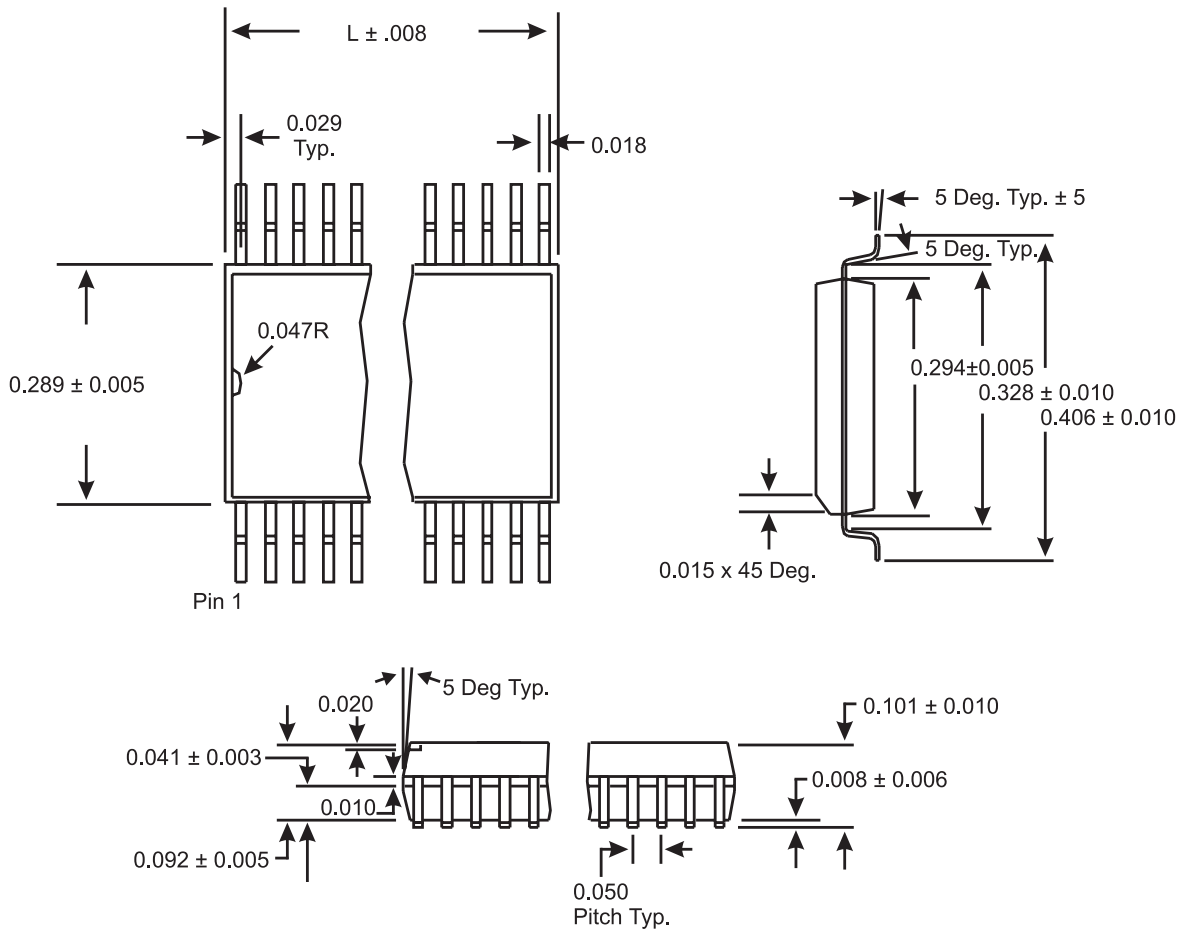
The data is latched into the internal shift register on the **falling** edge of the BCLK signal with the BCLK as a reference (see waveform above). The SDATA input pattern will **change** at the BCLK rising edges and must be stable for loading into the shift register at the BCLK **falling** edges.

Programming Bit Addresses

The following table lists the function of each of the 15 input programming bits for the device.

ICS9160-03 SDATA Serial Stop Clock Input Pin Bit Pattern

BIT#	OUTPUT PIN	STOP CLOCK FUNCTION (Clocks stops if Bit=Low)
0		START BIT (One "zero" bit needed to start shift register sequence.)
1	32	GRAPHIC
2	n/a	
3	30	FLOPPY
4	28	BCLK6
5	27	BCLK5
6	21	BCLK4
7	22	BCLK3
8	24	BCLK2
9	25	BCLK1
10	19	BCLK0
11	n/a	
12	12	PCLK3
13	11	PCLK2
14	9	PCLK1
15	8	PCLK0



32-Pin SOIC Package

LEAD COUNT	32L
DIMENSIONL	.804

Ordering Information

ICS9160M-03

Example:

ICS XXXX M - PPP

