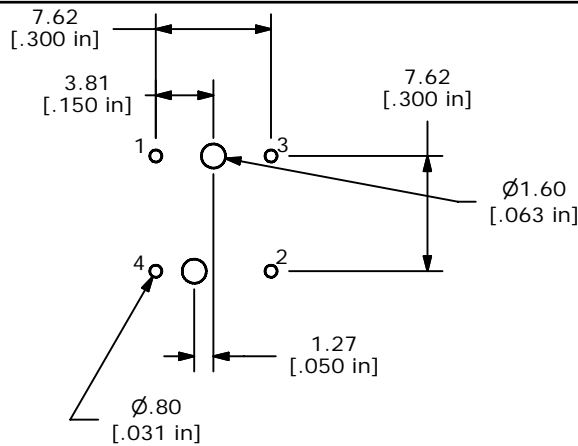
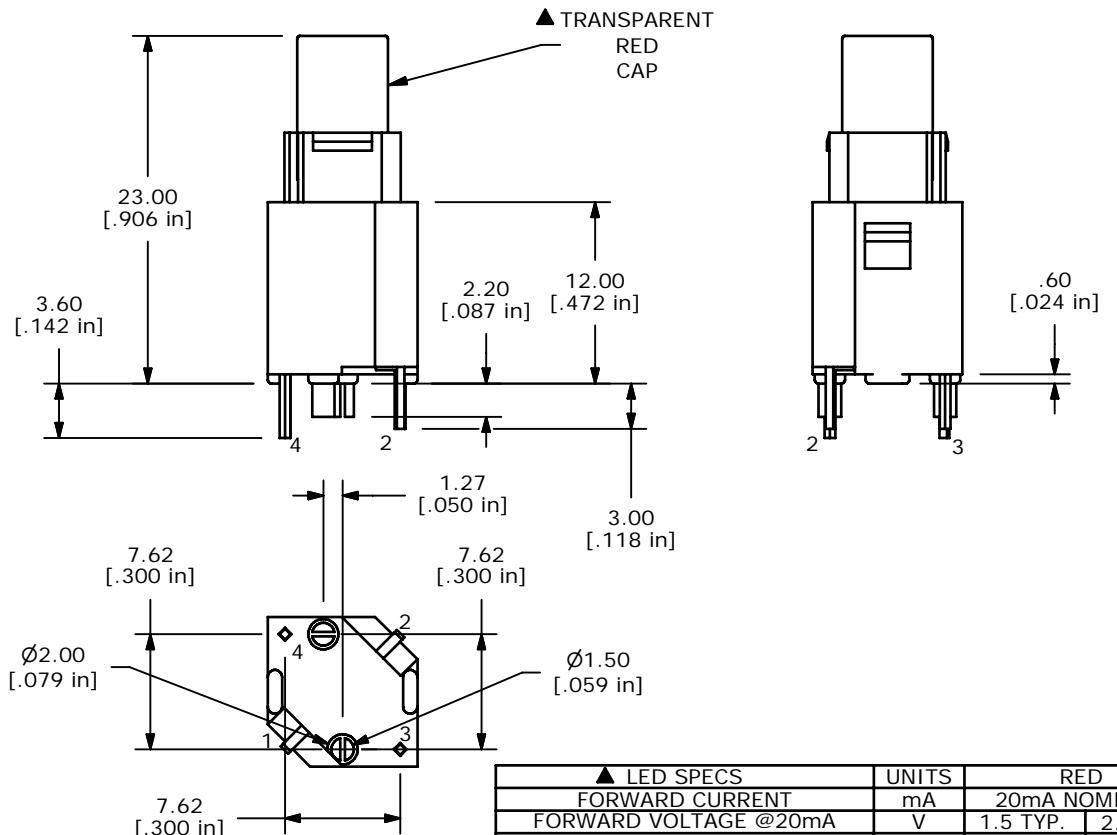
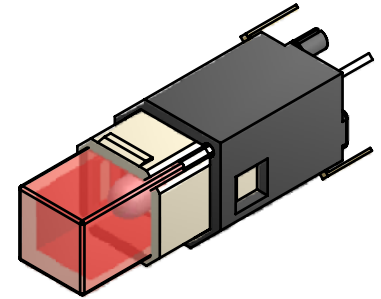
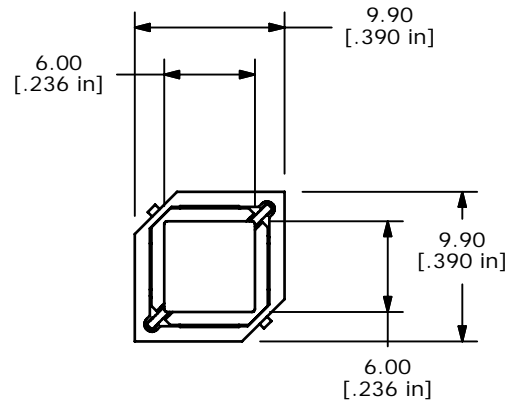


▲ CIRCUIT: SPST  
OFF (ON)



PCB LAYOUT



NOTES:

1. ALL DIMENSIONS IN MM [INCH]
2. GENERAL TOLERANCE: X.X=±0.4  
X.XX=±0.25
3. RATING: 20VDC @ 1mA or 5VDC @ 5mA
4. CONTACT RESISTANCE: 200Ω MAX. @ 5VDC, 1mA
5. INSULATION RESISTANCE: 100MΩ MIN. @ 100VDC.
- ▲ 6. OPERATING FORCE: 125±35gf
7. TRAVEL: 1.3 +/-0.3 mm
8. OPERATING TEMPERATURE: -20°C TO 70°C
9. OPERATING LIFE: 300,000 CYCLES
- ▲ 10. LED: RED
11. ▲ DENOTES CRITICAL PARAMETERS
12. 2002/95/EC (ROHS) COMPLIANT

▲ LED SPECS	UNITS	RED	
FORWARD CURRENT	mA	20mA NOMINAL	
FORWARD VOLTAGE @20mA	V	1.5 TYP.	2.4 MAX.
LUMINOUS INTENSITY @ 20mA	mcd	120 TYP.	



A	20578	NEW RELEASE	4/30/12	rc
REV	PCR NO	DESCRIPTION	DATE	BY

TITLE LP2S1TRRED-N				
SCALE	DATE	DR	DWG	REV
2 = 1	4/30/2012	RC	B250012	A

THE INFORMATION CONTAINED IN THIS DOCUMENT IS PROPRIETARY TO E-SWITCH AND IS NOT TO BE COPIED OR TRANSFERRED