

Silicon NPN Power Transistors

2SD2151

DESCRIPTION

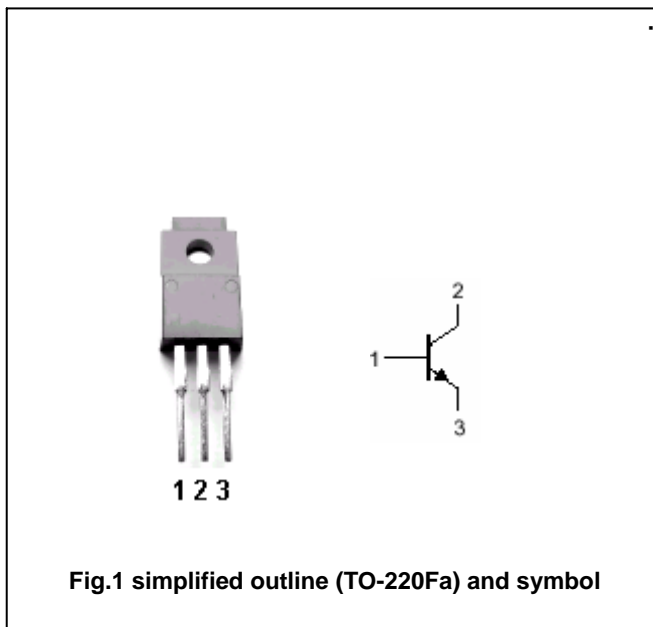
- With TO-220Fa package
- Low collector to emitter saturation voltage
- Large collector current  $I_C$

APPLICATIONS

- For power switching applicaitons

PINNING

PIN	DESCRIPTION
1	Base
2	Collector
3	Emitter



Absolute maximum ratings ( $T_a=25$  )

SYMBOL	PARAMETER	CONDITIONS	VALUE	UNIT
$V_{CBO}$	Collector-base voltage	Open emitter	130	V
$V_{CEO}$	Collector-emitter voltage	Open base	80	V
$V_{EBO}$	Emitter-base voltage	Open collector	7	V
$I_C$	Collector current		10	A
$I_{CM}$	Collector current-peak		20	A
$P_C$	Collector power dissipation	$T_C=25$	30	W
		$T_a=25$	2	
$T_j$	Junction temperature		150	
$T_{stg}$	Storage temperature		-55~150	

## Silicon NPN Power Transistors

## 2SD2151

## CHARACTERISTICS

T<sub>j</sub>=25 unless otherwise specified

SYMBOL	PARAMETER	CONDITIONS	MIN	TYP.	MAX	UNIT
V <sub>(BR)CEO</sub>	Collector-emitter breakdown voltage	I <sub>C</sub> =10mA, I <sub>B</sub> =0	80			V
V <sub>CEsat-1</sub>	Collector-emitter saturation voltage	I <sub>C</sub> =6A; I <sub>B</sub> =0.3A			0.5	V
V <sub>CEsat-2</sub>	Collector-emitter saturation voltage	I <sub>C</sub> =10A; I <sub>B</sub> =1A			1.5	V
V <sub>BE sat-1</sub>	Base-emitter saturation voltage	I <sub>C</sub> =6A; I <sub>B</sub> =0.3A			1.5	V
V <sub>BE sat-2</sub>	Base-emitter saturation voltage	I <sub>C</sub> =10A; I <sub>B</sub> =1A			2.5	V
I <sub>CBO</sub>	Collector cut-off current	V <sub>CB</sub> =100V; I <sub>E</sub> =0			10	μA
I <sub>EBO</sub>	Emitter cut-off current	V <sub>EB</sub> =5V; I <sub>C</sub> =0			50	μA
h <sub>FE-1</sub>	DC current gain	I <sub>C</sub> =0.1A ; V <sub>CE</sub> =2V	45			
h <sub>FE-2</sub>	DC current gain	I <sub>C</sub> =3A ; V <sub>CE</sub> =2V	90		260	
h <sub>FE-3</sub>	DC current gain	I <sub>C</sub> =6A ; V <sub>CE</sub> =2V	30			
f <sub>T</sub>	Transition frequency	I <sub>C</sub> =0.5A ; V <sub>CE</sub> =10V; f=1MHz		20		MHz

## Switching times

t <sub>on</sub>	Turn-on time	I <sub>C</sub> =6A ; I <sub>B1</sub> =-I <sub>B2</sub> =0.6A V <sub>CC</sub> =50V		0.5		μs
t <sub>s</sub>	Storage time			2.0		μs
t <sub>f</sub>	Fall time			0.2		μs

◆ h<sub>FE-2</sub> Classifications

Q	P
90-180	130-260

Silicon NPN Power Transistors

2SD2151

PACKAGE OUTLINE

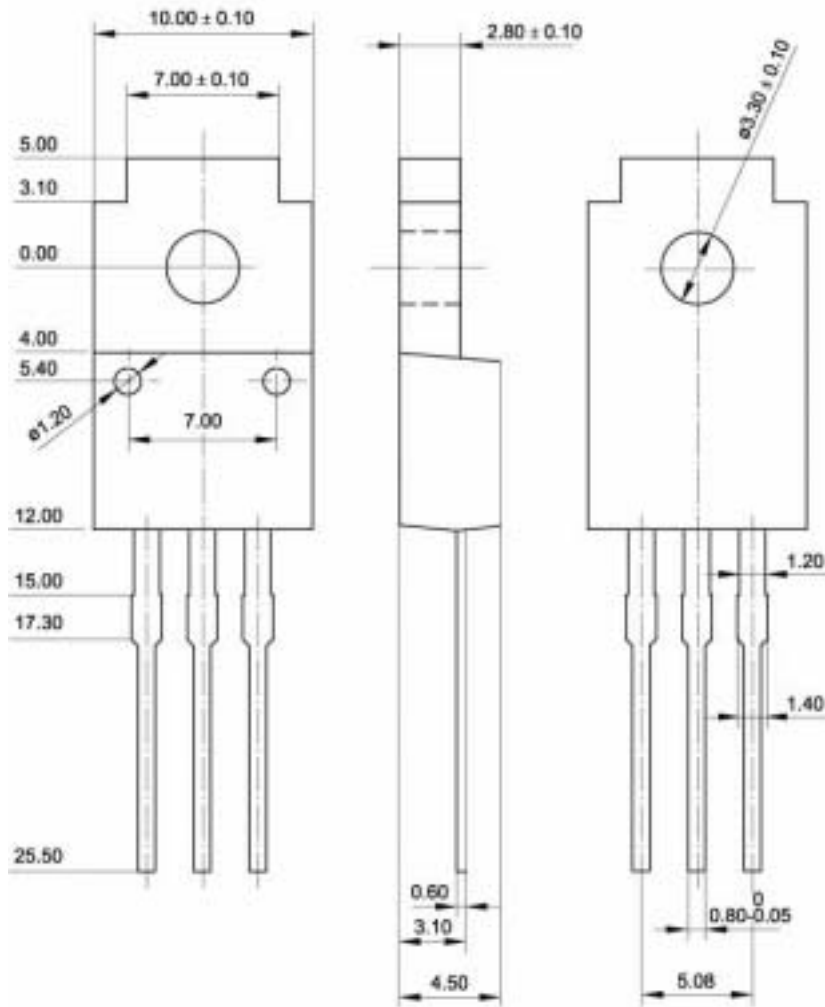


Fig.2 Outline dimensions (unindicated tolerance:  $\pm 0.15$  mm)