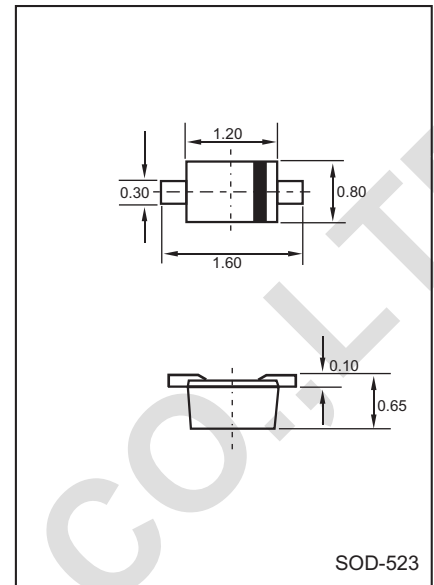


1SS387 High Speed SWITCHING Diodes

FEATURES

Small package



Maximum Ratings and Electrical Characteristics, Single Diode @T_A=25°C

| Parameter | Symbol | Limits | Unit |
|-------------------------|--------------------|----------|------|
| Peak reverse voltage | V _{RM} | 85 | V |
| DC reverse voltage | V _R | 80 | V |
| Peak forward current | I _{FM} | 200 | mA |
| Mean rectifying current | I _O | 100 | mA |
| Surge current (10ms) | I _{surge} | 1000 | mA |
| Junction temperature | T _j | 125 | °C |
| Storage temperature | T _{stg} | -55~+125 | °C |

Electrical Ratings @T_A=25°C

| Parameter | Symbol | Min. | Typ. | Max. | Unit | Conditions |
|-------------------------------|-----------------|------|------|------|------|---|
| Forward voltage | V _{F1} | | 0.62 | | V | I _F =1mA |
| | V _{F2} | | 0.75 | | V | I _F =10mA |
| | V _{F3} | | | 1.2 | V | I _F =100mA |
| Reverse current | I _{R1} | | | 0.1 | μ A | V _R =30V |
| | I _{R2} | | | 0.5 | μ A | V _R =80V |
| Capacitance between terminals | C _T | | | 3.0 | pF | V _R =0, f=1MHZ |
| Reverse recovery time | t _{rr} | | | 4 | ns | V _R =6V, I _F =10mA, R _L =100 Ω |

