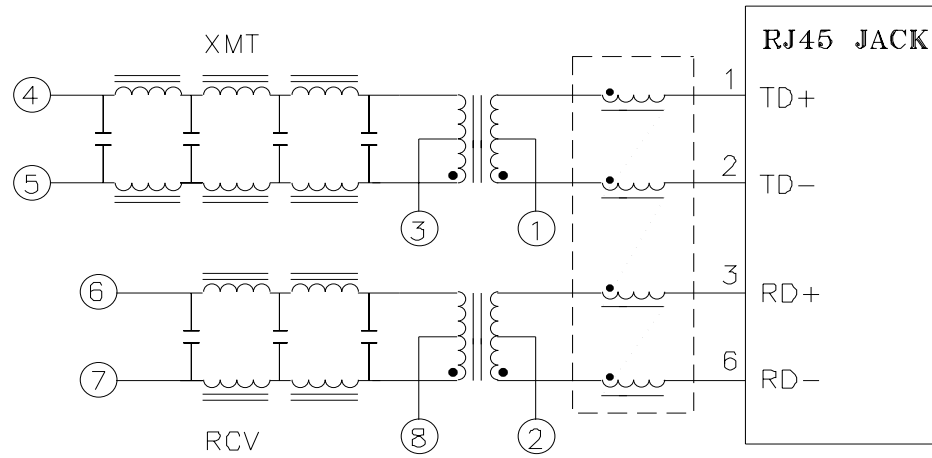


Schematic:



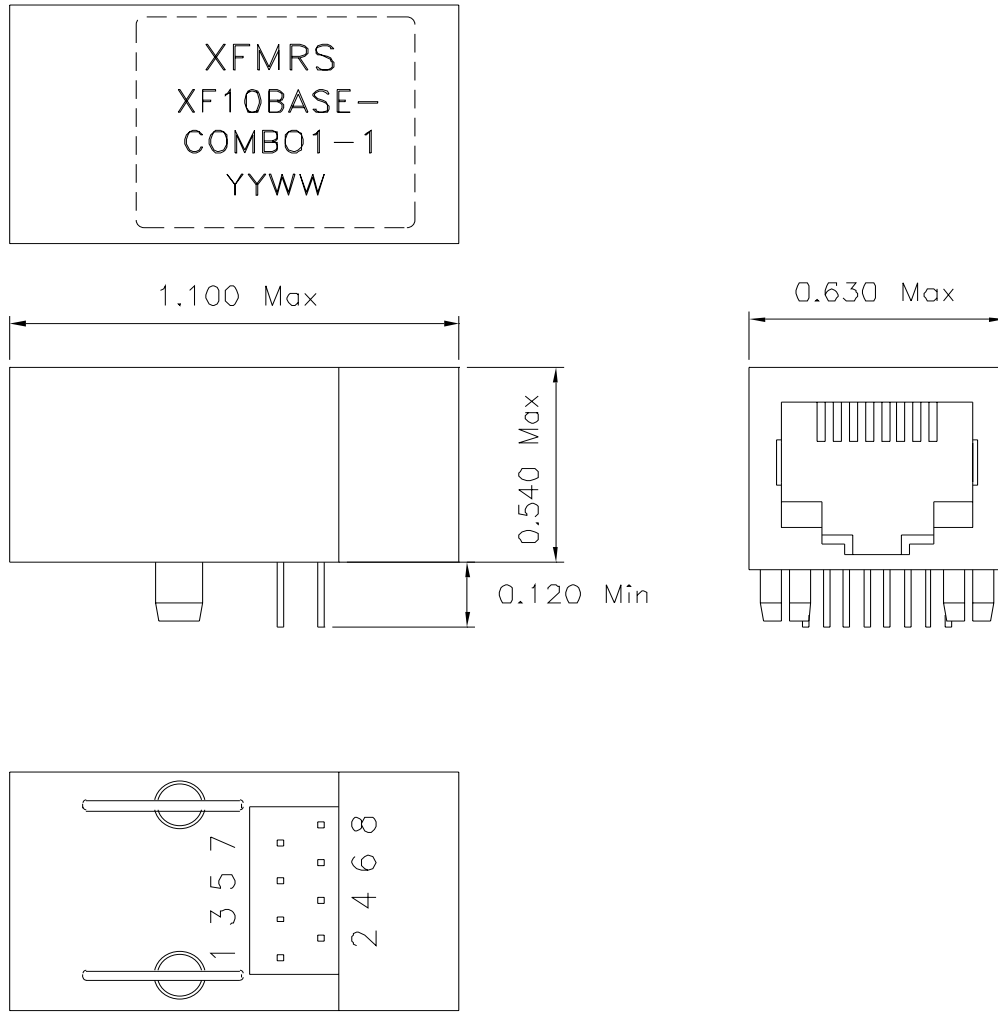
Electrical Specifications: @25°C

ISOLATION: 1500 VRMS (Input to Output)
 ISOLATION: 500 VRMS (XMT to RCV)
 INSERTION LOSS (1-10MHz): -1.0dB Maximum
 ATTENUATION @30MHz:
 TRANSMIT -30dB Minimum
 RECEIVER -18dB Minimum
 RETURN LOSS (1-10MHz): -15dB Minimum
 CUTOFF FREQUENCY: 17MHz TYPICAL
 CROSSTALK (1-10MHz): -30dB Minimum
 I/O IMPEDANCE: 100 OHMS

DOC. REV: A/2

XFMRs Inc	Title: 10 BASE-T FILTER COMBO		
	UNLESS OTHERWISE SPECIFIED		P/N: XF10BASE-COMBO1-1
	TOLERANCES: .xxx ±0.010		REV. A
	Dimensions in INCH		
	DWN.	廖玉坤	Jan-27-00
	CHK.	李清儿	Jan-27-00
	APP.	Joe Huff	Jan-27-00
SHEET 1 OF 2			

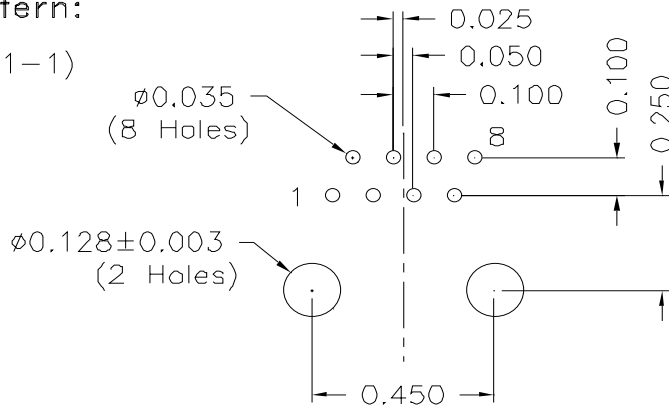
Mechanical Dimensions:



(BOTTOM VIEW)

Mounting Pattern:

(FOR COMBO1-1)
(COMP SIDE)



XFMRS Inc.	Title: SINGLE PORT COMBO		
UNLESS OTHERWISE SPECIFIED	P/N: XF10BASE-COMBO1-1	REV. A	
TOLERANCES: .xxx ±0.010	DWN.	李清儿	Jan-27-00
Dimensions in Inch	CHK.	孙小松	Jan-27-00
SHEET 2 OF 2	APP.	Joe Huff	Jan-27-00