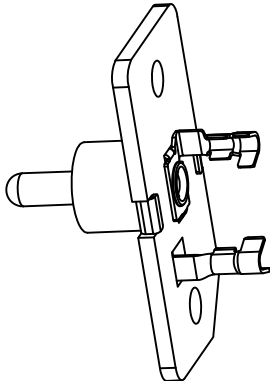
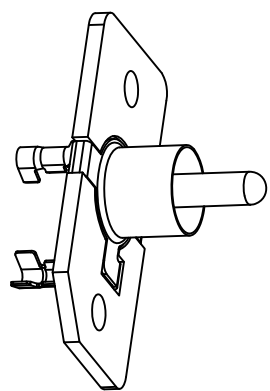
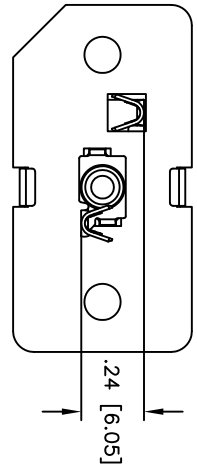
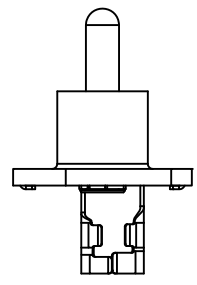
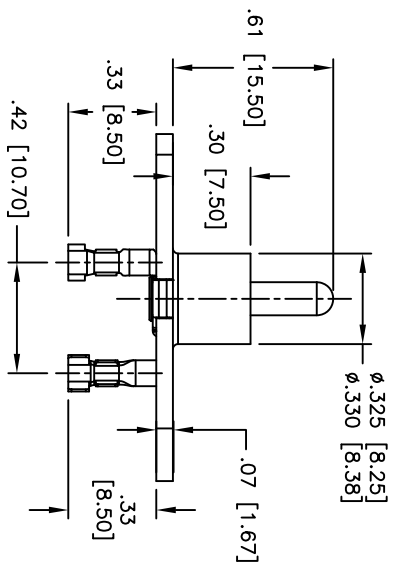
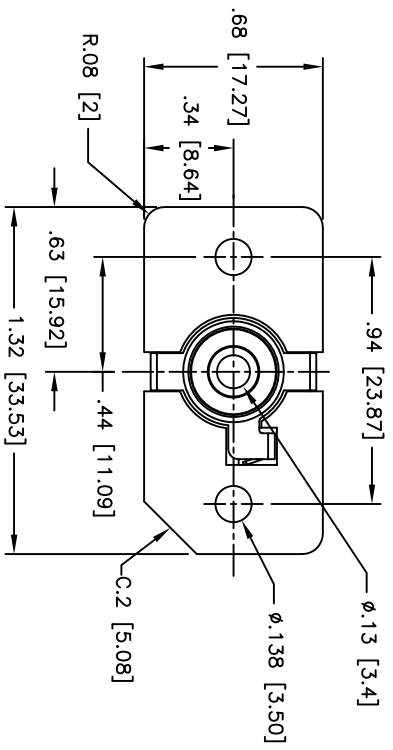


Rev	AWO #	Description	Date	Appr
-	10205	RELEASED	11/29/10	

APPROVED: \_\_\_\_\_  
 DATE: \_\_\_\_\_ TITLE: \_\_\_\_\_



**SPECIFICATIONS:**

- Material: PA9T, rated UL 94V-0
- Insulator color: Black
- Center Pin: Brass, Nickel plated
- Contacts: Brass
- Plating: Tin over Copper underplate
- Electrical:
  - Operating voltage: 30 VDC max.
  - Current rating: 1 Amps max
  - Contact resistance: 30 mohms max.
  - Insulation resistance: 100 Mohms min. @ DC 250V
  - Dielectric withstanding voltage: 500 VAC for 1 minute
- Environmental:
  - Lead free, RoHS compliant
  - Recommended soldering temp: 260°C for 5 sec.

UNLESS OTHERWISE SPECIFIED ALL DIMENSIONS ARE INCHES [MM]	
TOLERANCES: EXCEPT AS NOTED	
INCHES	HOLDS
.X ± .10	ØX ± .10
.XX ± .020	ØXX ± .015
.XXX ± .015	ØXXX ± .010
APPROVALS	DATE
DRAWN	DY
CHECKED	
APPROVED	

**ADAM TECH**  
 909 Rahway Avenue, Union, NJ 07083  
 Phone: 908-687-5000 Fax: 908-687-5710

TITLE	RCA PLUG	
SIZE	PART NO.	REV.
X	RCP-22-W-1-C4	-
REF:	S00002C	SCALE: NTS
SHEET	1 OF 1	