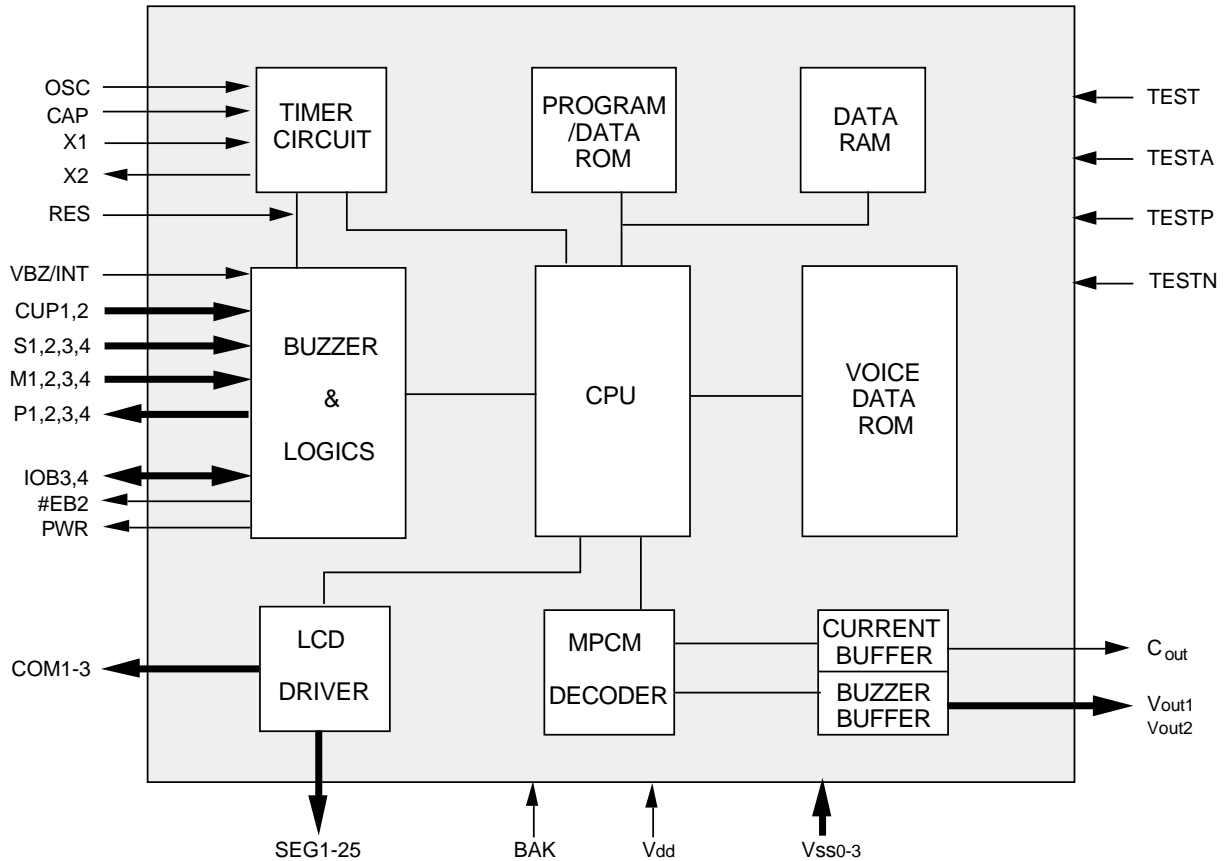


General Description

The MSu001 is a monolithic talking microcomputer that can memorize voice up to 22 seconds using MOSEL qualified coding method(MPCM). It's an integration of traditional 4-bit microcomputer and voice chip with minimal external components. LCD driver and miscellaneous interface are provided for versatile applications. With more than 10K ROM/RAM inside, this chip meets every intelligent novelty. Customer requested function and voice data will be built in by changing masks during fabrication.

Block Diagram



See 12-page PID 219D 02/96 for details which belongs to MSU001.

Taiwan
#1, Creation Road I,
Science - based Industrial Park,
Hsinchu, 30077
Taiwan, ROC
"audio_reply @ccmail.mosel.com.tw"
TEL: 886-3-5770055
FAX: 886-3-5772788
FAX: 886-3-5784732

Taipei
7F, #102 Sec. 3,
Ming Chung E. Road,
Taipei,105
Taiwan, ROC
TEL: 886-2-5451213
FAX: 886-2-5451214

Hongkong
#19 Dai Fu Street,
Taipo Industrial Estate,
Taipo, N.T.
Hongkong
TEL: 852-2388-8277(MKO)
TEL: 852-2665-4883
FAX: 852-2664-2406
FAX: 852-2770-8011(MKO)

U.S.A.
#3910 North First Street,
San Jose,
CA. 65134-1501
U.S.A.
TEL: 1-408-433-6000
FAX: 1-408-433-0952