

CR Series

CR14™ 1' x 4' Architectural LED Troffer

Product Description

The CR14™ Architectural LED troffer delivers up to 130 lumens per watt of exceptional 90 CRI light at 4000 lumens. This breakthrough performance is achieved by combining the high efficacy and high-quality light of Cree TrueWhite® Technology with a unique thermal management design. The CR14 product family is available in warm, neutral, cool, or daylight color temperatures and has step, 0-10V, or Lutron EcoSystem® Enabled dimming options. Its unique indirect illumination design makes the CR14 perfect for use in commercial new construction or renovated spaces.

Performance Summary

Utilizes Cree TrueWhite® Technology (90 CRI)
Room-Side Heat Sink
Efficacy: 90-130 LPW
Initial Delivered Lumens: 2,200, 3,100, 4,000, 5,000 lumens
Input Power: 22-50 watts
CRI: 90 CRI (Cree TrueWhite® Technology), 80+ CRI (HD)
CCT: 3000K, 3500K, 4000K, 5000K
Input Voltage: 120-277 VAC or 347 VAC
Limited Warranty*: 10 years
Lifetime: Designed to last from 50,000 hours (HD), 75,000 hours (Standard TW), and 100,000 hours (HE TW)
Controls: Step Level to 50%, 0-10V Dimming, Lutron EcoSystem Enabled to 5%*
Mounting: Recessed**

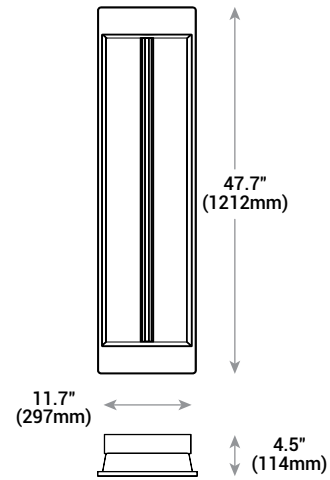
* See www.cree.com/lighting/products/warranty for warranty terms

** Reference www.cree.com/lighting for recommended dimming control options

** Acceptable for use with standard 9/16 T-Bar or larger when installed per installation instructions. Consult factory for non-standard grid applications

Accessories

Field-Installed		
Adjustable Cable AC5- 72 PD8 JB AC5 18/4 72 PD8 JB Chicago Plenum Field Kit CPLCR	Chicago Plenum Field Kit-Emergency CPLCR EM Junction Box EJBCR 5PK - Expanded size junction box for through wiring (5 pack)	Power Whip PW 18/4 06 9T/SS CR 347 Volt CR 347V Step Dimming to 50% CR 347V SD Surface Mount Kit SMK 14



NOTE: Use of Expanded Junction Box will expand the depth to 6.42" and Emergency Backup will expand the depth to 6.05". Use of 347V will increase luminaire height by 1.4"

Ordering Information

Example: CR14-40L-35K-S

CR14	Product	Initial Delivered Lumens	CCT	Voltage	Control	Options
CR14	22L ¹ 22W, 2200 lumens – 100 LPW - Only available in 35K or 40K 31L ¹ 34W 3100 lumens – 90 LPW 40L 40W 4000 lumens – 100 LPW 40LHE ¹ 30.5W 4000 lumens – 130 LPW (30K) 32W 4000 lumens – 125 LPW (35K) 33W 4000 lumens – 120 LPW (40K) 34.5W 4000 lumens – 115 LPW (50K) 50L ² 50W 5000 lumens – 100 LPW	30K 3000K 35K 3500K 40K 4000K 50K 5000K	Blank 120-277 Volt 34V 347 Volt - Integrated option available on 40L only. Other types require addition of a 347 accessory kit (see table above)	S Step Dimming to 50% 10V 0-10V Dimming to 5% LES ³ Lutron EcoSystem® Enabled to 5%	HD CRI 80+ (44W 4000 lumens – 90 LPW) - Available only with 40L EB14 ^{4,5} Emergency Backup – 1400 lumens - Not for use with SMK Kits. Use EB14 SMK EB14SMK ^{4,5} Emergency Backup with surface mount kit – 1400 lumens - Includes surface mount kit accessory (SMK-CR14)	

1. Not available with HD 2. Not available with HD, EB14, EB14SMK 3. Not available in the following options: 22L: 30K or 50K; 31L: All Colors; 40LHE: All Colors 4. Not available in 50L 5. Not available in LES types except 40L LES type
NOTE: Price adder may apply depending on configuration



Rev. Date: V5 10/28/2015



Product Specifications

CREE TRUEWHITE® TECHNOLOGY

A revolutionary way to generate high-quality white light, Cree TrueWhite® Technology is a patented approach that delivers an exclusive combination of 90+ CRI, beautiful light characteristics, and lifelong color consistency, all while maintaining high luminous efficacy – a true no compromise solution

CREE LED TECHNOLOGY

Cree's total systems approach to product development is a comprehensive engineering philosophy that combines the most advanced LED sources, driver technologies, optics and forms. The result is highly-reliable luminaire solutions for both indoor and outdoor applications that reduce energy use, extend lifetimes, and maximize illumination performance and quality.

ROOM-SIDE HEAT SINK

An innovative thermal management system designed to maximize cooling effectiveness by integrating a unique room-side heat sink into the diffusing lens. This breakthrough design creates a pleasing architectural aesthetic while conducting heat away from LEDs in a temperature-controlled environment. This enables the LEDs to consistently run cooler, providing significant boosts to lifetime, efficacy, and color consistency.

CONSTRUCTION & MATERIALS

- Durable 22-gauge steel housing with standard troffer access plate for electrical installation
- One-piece lower reflector finished with a textured high reflectance white polyester powder coating creates a comfortable visual transition from the lens to the ceiling plane
- Includes t-bar clips and holes for mounting support wires enable recessed or suspended installation
- Individual luminaires may be mounted end to end for a continuous row of illumination

OPTICAL SYSTEM

- Unique combination of reflective and refractive optical components achieves a uniform, comfortable appearance while eliminating pixelation and color fringing
- Components work together to optimize distribution, balancing the delivery of high illuminance levels on horizontal surfaces with an ideal amount of light on walls and vertical surfaces. This increases the perception of spaciousness
- Diffusing lens integrated with upward-facing LED strip eliminates direct view of LEDs while lower reflector balances brightness of lens with the ceiling to create a low-glare high angle appearance

ELECTRICAL SYSTEM

- Integral, high-efficiency driver
- **Power Factor:** = 0.9 nominal
- **Input Power:** Stays constant over life
- **Input Voltage:** 120-277V or 347V, 50/60Hz
- **Operating Temperature Range:** 0°C - + 35°C (32°F - + 95°F)
- **Total Harmonic Distortion:** < 20%

CONTROLS

- Step dimming to 50%*
- Continuous dimming to 5% with 0-10V DC control protocol*
- Lutron EcoSystem® Enabled option allows seamless integration with Lutron EcoSystem controls*

REGULATORY & VOLUNTARY QUALIFICATIONS

- cULus Listed
- Suitable for damp locations
- Designed for indoor use
- UL924 (EB14 option)
- DLC qualified. Please refer to www.designlights.org/QPL for most current information
- RoHS compliant. Consult factory for additional details
- Meets FCC Part 15 standards for conducted and radiated emissions

* Reference www.cree.com/lighting for recommended dimming controls and wiring diagrams

Recommended CR Series Lumen Maintenance Factors (LMF) ¹						
Ambient	Initial Delivered Lumens	Initial LMF	25K hr Projected ² LMF	50K hr Projected ² LMF	75K hr Calculated ³ LMF	100K hr Calculated ³ LMF
0°C (41°F)	22L, 31L, 40L, and 50L	1.05	1.04	1.04	1.04	1.04
	40LHE	1.05	1.01	0.98	0.96	0.94
5°C (41°F)	22L, 31L, 40L, and 50L	1.04	1.03	1.03	1.03	1.03
	40LHE	1.04	1.00	0.97	0.95	0.93
10°C (50°F)	22L, 31L, 40L, and 50L	1.03	1.02	1.02	1.02	1.02
	40LHE	1.03	0.99	0.96	0.94	0.92
15°C (59°F)	22L, 31L, 40L, and 50L	1.02	1.01	1.01	1.01	1.01
	40LHE	1.02	0.98	0.95	0.93	0.91
20°C (68°F)	22L, 31L, 40L, and 50L	1.01	1.00	1.00	1.00	1.00
	40LHE	1.01	0.97	0.95	0.92	0.90
25°C (77°F)	22L, 31L, 40L, and 50L	1.00	0.99	0.99	0.99	0.99
	40LHE	1.00	0.96	0.94	0.91	0.89
30°C (86°F)	22L, 31L, 40L, and 50L	0.99	0.98	0.98	0.98	0.98
	40LHE	0.99	0.95	0.93	0.91	0.89
35°C (95°F)	22L, 31L, 40L, and 50L	0.98	0.97	0.97	0.97	0.97
	40LHE	0.98	0.94	0.92	0.90	0.88
40°C (104°F)	22L, 31L, 40L, and 50L	0.97	0.96	0.96	0.96	0.96
	40LHE	0.97	0.93	0.91	0.89	0.87

¹ Lumen maintenance values at 25°C (77°F) are calculated per TM-21 based on LM-80 data and in-situ luminaire testing

² In accordance with IESNA TM-21-11, Projected Values represent interpolated value based on time durations that are within six times (6X) the IESNA LM-80-08 total test duration (in hours) for the device under testing ((DUT) i.e. the packaged LED chip)

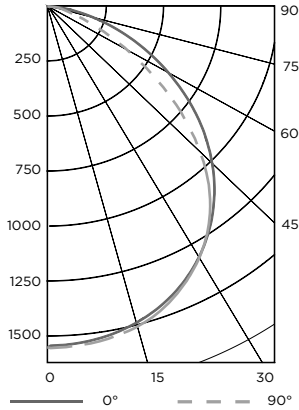
³ In accordance with IESNA TM-21-11, Calculated Values represent time durations that exceed six times (6X) the IESNA LM-80-08 total test duration (in hours) for the device under testing ((DUT) i.e. the packaged LED chip)



Photometry

CR14-40L-30K BASED ON LTL REPORT TEST #: 24294

Luminaire photometry has been conducted by a NVLAP accredited testing laboratory in accordance with IESNA LM-79-08. IESNA LM-79-08 specifies the entire luminaire as the source resulting in a luminaire efficiency of 100%.



Coefficients Of Utilization – Zonal Cavity Method				
RC %:	80			
RW %:	70	50	30	10
RCR: 0	119	119	119	119
1	110	106	102	73
2	101	93	87	82
3	92	82	75	69
4	85	74	65	59
5	78	66	57	51
6	72	60	51	45
7	67	54	46	40
8	63	49	41	36
9	58	45	37	32
10	55	42	34	29

Effective Floor Cavity Reflectance: 20%

Reference www.cree.com/Lighting/Products/Indoor/Troffers/CR-Series for detailed photometric data

Average Luminance Table (cd/m ²)			
Vertical Angle	Horizontal Angle		
	0°	45°	90°
45°	5,407	5,407	5,407
55°	5,015	5,002	4,673
65°	4,589	4,315	3,572
75°	3,039	1,690	1,282
85°	1,727	1,249	1,321

Zonal Lumen Summary			
Zone	Lumens	% Lamp	Luminaire
0-30	1,220	N/A	30.8%
0-40	1,995	N/A	50.4%
0-60	3,385	N/A	85.5%
0-90	3,959	N/A	100%
0-180	3,959	N/A	100%

Application Reference

Based on CR14-40L-30K Luminaire

Open Space					
Spacing	Lumens	Wattage	LPW	w/ft ²	Average fc
8 x 8	2200L	22W	100	0.35	30
	4000L	40W	100	0.69	54
	4000L	30.5W	125	0.56	54
	5000L	50W	100	0.78	68
8 x 10	2200L	22W	100	0.28	25
	4000L	40W	100	0.55	45
	4000L	30.5W	125	0.45	45
	5000L	50W	100	0.62	57
10 x 10	2200L	22W	100	0.22	21
	4000L	40W	100	0.44	38
	4000L	30.5W	125	0.36	38
	5000L	50W	100	0.50	48
10 x 12	2200L	22W	100	0.19	17
	4000L	40W	100	0.37	30
	4000L	30.5W	125	0.30	30
	5000L	50W	100	0.42	38

9' ceiling; 80/50/20 reflectances; 2.5' workplane, open room. LLF: 1.0 Initial Open Space: 50' x 40' x 10'

© 2015 Cree, Inc. and/or one of its subsidiaries. All rights reserved. For informational purposes only. Content is subject to change. Patent www.cree.com/patents. Cree®, TrueWhite®, and Cree TrueWhite® are registered trademarks, and the Cree logo, the Cree TrueWhite Technology logo, and CR14™ are trademarks of Cree, Inc. The UL logo is a registered trademark of UL LLC. Lutron®, Lutron EcoSystem®, EcoSystem®, and the Lutron EcoSystem Enabled logo are registered trademarks of Lutron, Inc. The DLC QPL logo is a registered trademark of Northeast Energy Efficiency Partnerships, Inc.

