

**AK3713****1chip Remote Keyless Entry Transmitter****1. General**

The AK3713 is a RF transmitter for Key-FOB of Remote Keyless Entry system (RKE). It can generate a message according to switch input without external micro controller, and transmit RF signal in 300MHz or 400MHz band.

Messages for Switch action are designed freely in EEPROM by users. It is based on AKM TX Descriptor technology.

2. Features

- 1chip RF transmitter
 - Key-FOB can be built by the AK3713 and a few passive parts.
 - Without making program, the AK3713 operates by just writing the format of message to internal EEPROM.
- High security
 - Employing AES-128 and Rolling counter method, RKE system achieves high security.
- Low power consumption
 - Switch input wait mode with super low power consumption, it saves the power of a button battery.
- Variety of switch action
 - Normal click, Long push, Push and Hold, Tapping, and multi-push patterns are available.
 - Messages are generated for each switch action.
 - Message formats can be defined by users arbitrarily.
- RF transmit function
 - High power +8dBm (typ.) transmission with low power consumption.
- Modulation method
 - ASK / FSK, data-rate and modulation parameter are selectable.
- Encode method
 - Manchester and Bi-phase method are available.
- Others
 - Two LED lightning
 - Battery monitor. When the power supply voltage becomes less than 2.3V (typ.), the AK3713 can transmit a message to a receiver that the power supply voltage is falling. In addition, when the power supply becomes less than 1.95V (typ.), the AK3713 automatically shifts to a sleep mode. In that case the AK3713 does not transmit a message.

3. Block Diagram

Power supply and ground pins are not included.

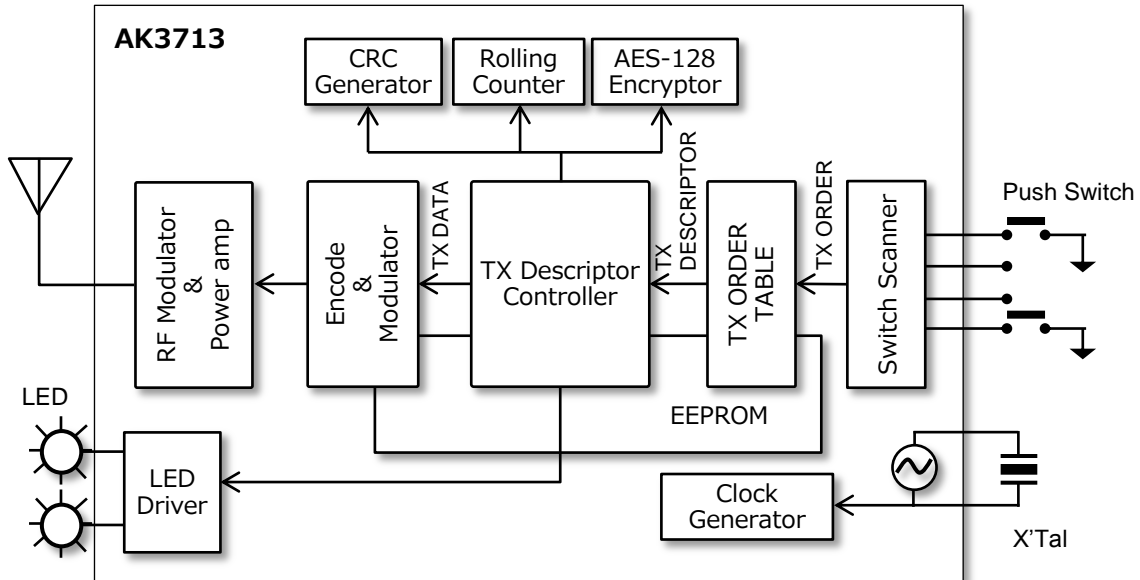


Figure 1 Block Diagram

Main blocks

- a) RF Modulator & Transmitter
This block outputs RF signal after ASK or FSK modulation.
- b) Clock Generator
This block generates a reference clock with external X'TAL.
- c) Switch Scanner
This block detects switch actions.
- d) TX Descriptor Controller
This block picks up a descriptor of a message from EEPROM.
- e) LED driver
This block lights LED when switch action is detected.
- f) EEPROM
EEPROM holds TX descriptors, Rolling counter, RF parameters, and others.

4. Package

4.1. Outline Dimensions

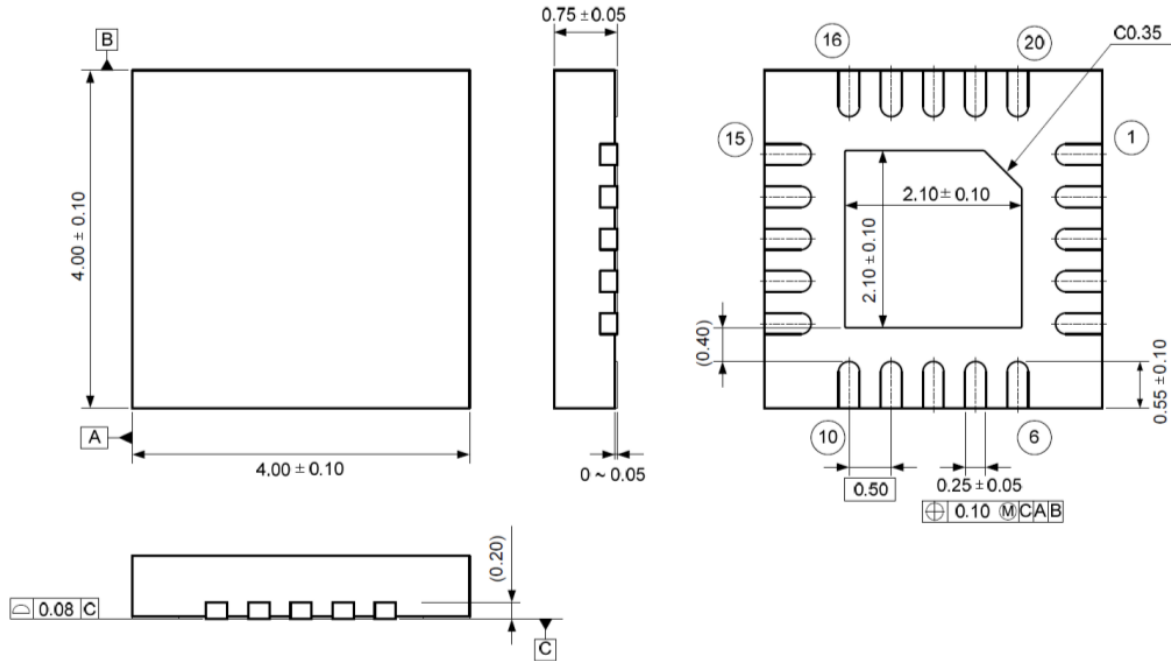
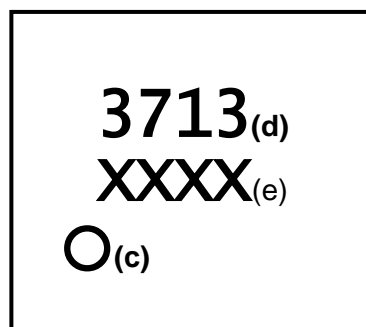


Figure 2 Package outer dimensions

4.2. Marking



- | | |
|-------------------|-------------------|
| a. Style | : QFN |
| b. Number of pins | : 20pins |
| c. A1 pin marking | : Circle |
| d. Product number | : 3713 |
| e. Date code | : XXXX (4 digits) |

Figure 3 Marking

5. Explanation of Important Matters

Thank you for your access to AKM product information.
More detail product information is available,
Please contact our sales office or authorized distributors.

0. Asahi Kasei Microdevices Corporation (“AKM”) reserves the right to make changes to the information contained in this document without notice. When you consider any use or application of AKM product stipulated in this document (“Product”), please make inquiries the sales office of AKM or authorized distributors as to current status of the Products.
1. All information included in this document are provided only to illustrate the operation and application examples of AKM Products. AKM neither makes warranties or representations with respect to the accuracy or completeness of the information contained in this document nor grants any license to any intellectual property rights or any other rights of AKM or any third party with respect to the information in this document. You are fully responsible for use of such information contained in this document in your product design or applications. AKM ASSUMES NO LIABILITY FOR ANY LOSSES INCURRED BY YOU OR THIRD PARTIES ARISING FROM THE USE OF SUCH INFORMATION IN YOUR PRODUCT DESIGN OR APPLICATIONS.
2. The Product is neither intended nor warranted for use in equipment or systems that require extraordinarily high levels of quality and/or reliability and/or a malfunction or failure of which may cause loss of human life, bodily injury, serious property damage or serious public impact, including but not limited to, equipment used in nuclear facilities, equipment used in the aerospace industry, medical equipment, equipment used for automobiles, trains, ships and other transportation, traffic signaling equipment, equipment used to control combustions or explosions, safety devices, elevators and escalators, devices related to electric power, and equipment used in finance-related fields. Do not use Product for the above use unless specifically agreed by AKM in writing.
3. Though AKM works continually to improve the Product’s quality and reliability, you are responsible for complying with safety standards and for providing adequate designs and safeguards for your hardware, software and systems which minimize risk and avoid situations in which a malfunction or failure of the Product could cause loss of human life, bodily injury or damage to property, including data loss or corruption.
4. Do not use or otherwise make available the Product or related technology or any information contained in this document for any military purposes, including without limitation, for the design, development, use, stockpiling or manufacturing of nuclear, chemical, or biological weapons or missile technology products (mass destruction weapons). When exporting the Products or related technology or any information contained in this document, you should comply with the applicable export control laws and regulations and follow the procedures required by such laws and regulations. The Products and related technology may not be used for or incorporated into any products or systems whose manufacture, use, or sale is prohibited under any applicable domestic or foreign laws or regulations.
5. Please contact AKM sales representative for details as to environmental matters such as the RoHS compatibility of the Product. Please use the Product in compliance with all applicable laws and regulations that regulate the inclusion or use of controlled substances, including without limitation, the EU RoHS Directive. AKM assumes no liability for damages or losses occurring as a result of noncompliance with applicable laws and regulations.
6. Resale of the Product with provisions different from the statement and/or technical features set forth in this document shall immediately void any warranty granted by AKM for the Product and shall not create or extend in any manner whatsoever, any liability of AKM.
7. This document may not be reproduced or duplicated, in any form, in whole or in part, without prior written consent of AKM.