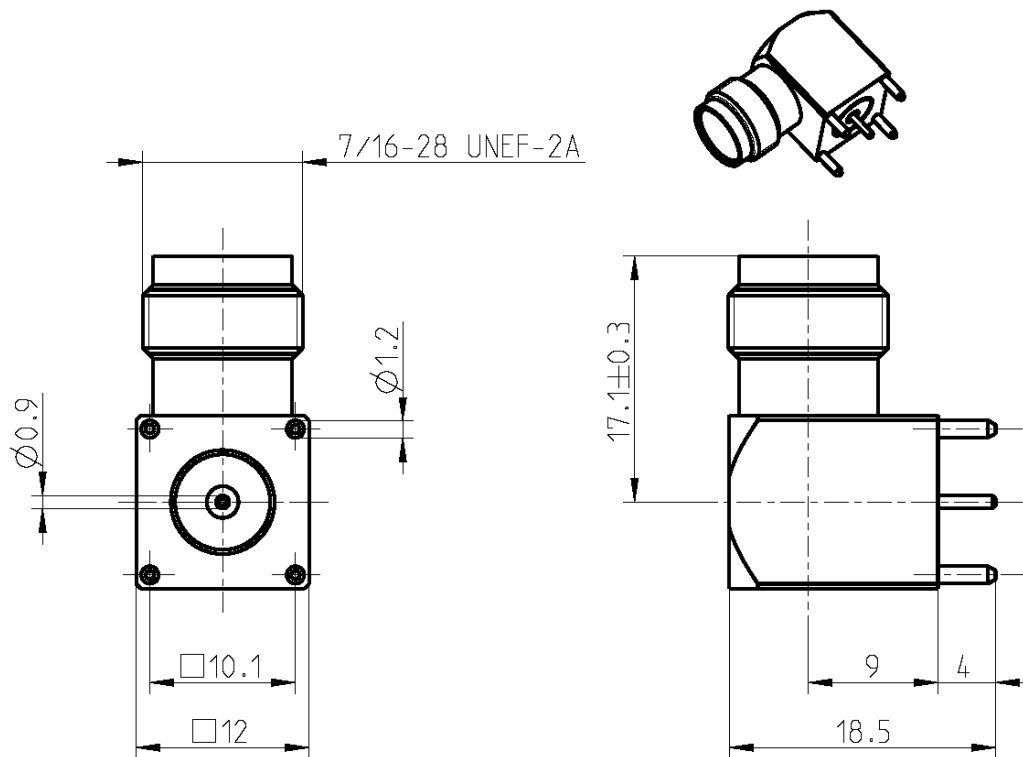


TNC 50 Ω

RIGHT ANGLE JACK PCB  
SOLDER PIN

**56K201-400A5**



All dimensions are in mm; tolerances according to ISO 2768 m-H

**Interface**

According to IEC 60169-17, MIL-PRF-39012, DIN EN 122200

**Documents**

Panel piercing B 32

**Material and plating**

**Connector parts**

Center contact  
Outer contact  
Body  
Dielectric

**Material**

CuBe  
Brass  
Brass  
PTFE

**Plating**

AuroDur®, gold plated  
Nickel, 2.5-5 μm  
Nickel, 2.5-5 μm

Dieses Dokument ist urheberrechtlich geschützt • This document is protected by copyright • Rosenberger Hochfrequenztechnik GmbH & Co. KG

RF\_35/08.13/6.1

TNC 50 Ω

RIGHT ANGLE JACK PCB  
SOLDER PIN

**56K201-400A5**

**Electrical data**

Impedance	50 Ω
Frequency	DC to 10 GHz
Return loss	≥ 28 dB, DC to 1 GHz ≥ 22 dB, 1 to 2 GHz ≥ 20 dB, 2 to 4 GHz
Insertion loss	≤ 0.05 dB, DC to 4 GHz
Insulation resistance	≥ 5 GΩ
Center contact resistance	≤ 1.5 mΩ
Outer contact resistance	≤ 1 mΩ
Test voltage	1500 V rms
Working voltage	500 V rms
Power handling (at 20 °C, sea level, VSWR 1.0)	≤ 80 W @ 2 GHz

- VSWR in application depends decisive on PCB layout -

**Mechanical data**

Mating cycles	≥ 500
Center contact captivation: axial	≥ 15 N
Coupling test torque	≤ 1.7 Nm
Recommended torque	0.46 Nm to 0.69 Nm

**Environmental data**

Temperature range	-65 °C to +165 °C
Thermal shock	MIL-STD-202, Method 107, Condition B
Corrosion	MIL-STD-202, Method 101, Condition B
Vibration	MIL-STD-202, Method 204, Condition B
Shock	MIL-STD-202, Method 213, Condition G
Moisture resistance	MIL-STD-202, Method 106
Max. soldering temperature	IEC 61760-1, +260 °C for 10 sec.
RoHS	compliant

**Tooling**

N/A

**Suitable cables**

N/A

**Weight**

Weight 17.1 g/pce

While the information has been carefully compiled to the best of our knowledge, nothing is intended as representation or warranty on our part and no statement herein shall be construed as recommendation to infringe existing patents. In the effort to improve our products, we reserve the right to make changes judged to be necessary.

Draft	Date	Approved	Date	Rev.	Engineering change number	Name	Date
Inge Mühlauer	10.08.04	Sa. Krautenbacher	19.03.14	f00	14-0352	T. Krojer	19.03.14
Rosenberger Hochfrequenztechnik GmbH & Co. KG P.O.Box 1260 D-84526 Tittmoning Germany www.rosenberger.de					Tel. : +49 8684 18-0 Fax : +49 8684 18-499 Email : info@rosenberger.de		Page 2 / 2