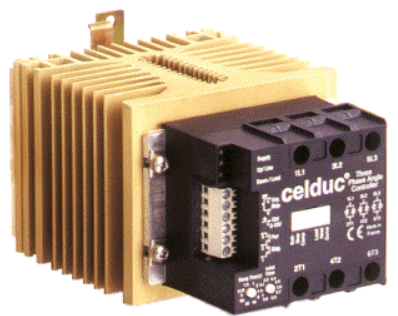


# DIGITAL THREE PHASE ANGLE CONTROLLER

- ▶ Allows to set the voltage applied to different sort of loads with 3 wires, 4 wires or inside the delta wiring:
  - ▶ Resistive (Bulbs, UV and IR lamps, ovens, ...),
  - ▶ Inductive (inductors, transformers, ...),
  - ▶ Motor (motorfan speed control (60 to 100% from the nominal speed),
  - ▶ Rectified (power supplies, ...).
- ▶ Small housing, easy and ready to use.
- ▶ Large mains frequency and voltage range.
- ▶ Fully optoisolated full cycle three phase phase angle controller (balanced currents, less harmonics, ...)
- ▶ Dynamic control voltage range according to the power factor of the load.
- ▶ Softstart and softstop functions (increase lifetime expectancy of the load).
- ▶ Adjustable filter regarding fast input voltage changes (ramps).
- ▶ Motor softstarting functions to control its speed within the stable area.
- ▶ Input-output transfert characteristic linearization function (resistive load).
- ▶ Diagnostic features : Status given on LED and AC/DC switches.

## SWTA4630



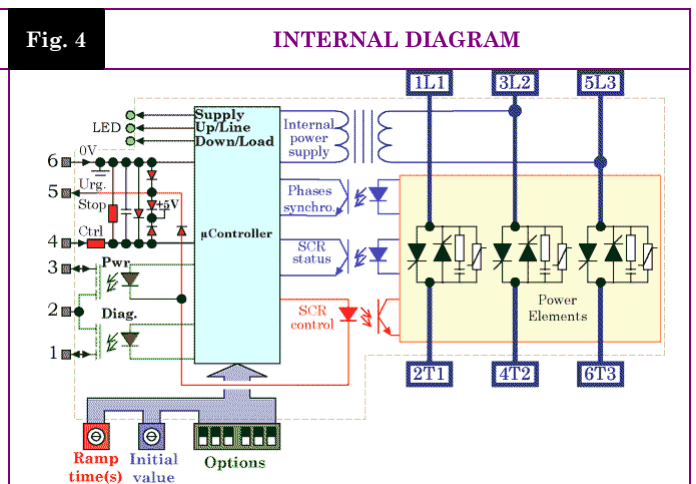
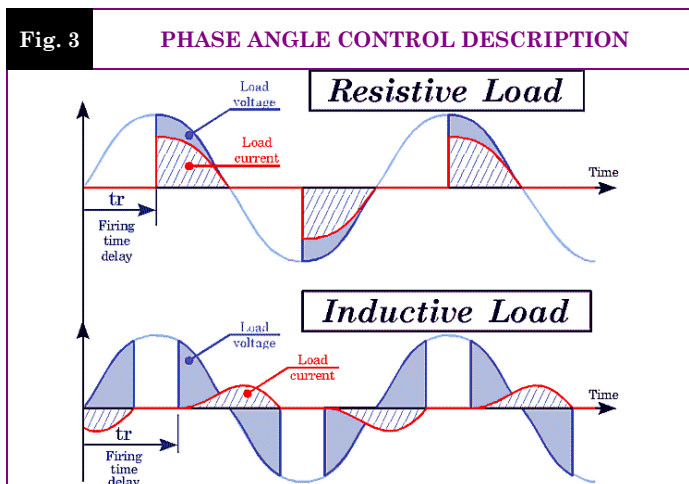
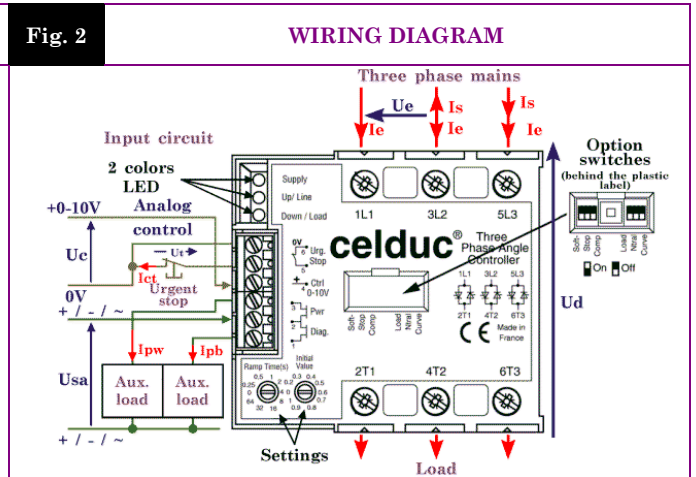
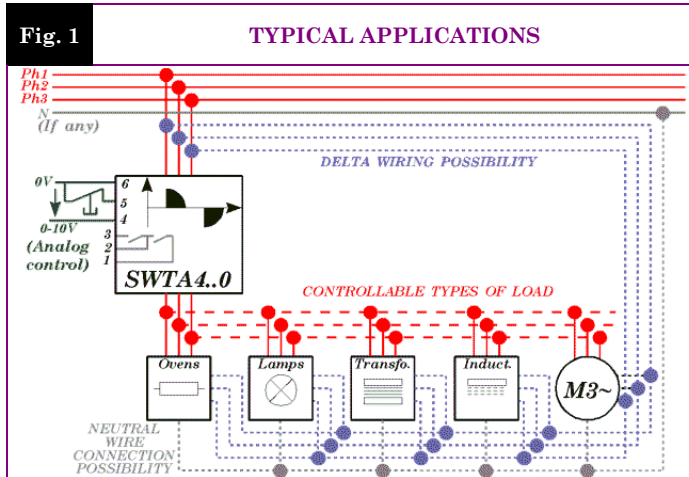
Proportionnal analog voltage control input

**0-10V**

**200->480VAC**

**32A AC-51 @25°C**

Mains Voltage	Mains Frequency	Max AC-51 Current	Max AC-53a Current	Control Input	Status Ouputs	In / Out Insulation	Wire Size	Dimensions (WxHxD)	Weight
200 to 480VAC	40 to 65Hz	25A @40°C	25A @40°C	0-10VDC	0 to 24VDC 1A AC/DC	4kV	In=2.5mm <sup>2</sup> Out=10mm <sup>2</sup>	110x110x180 (mm)	2000g



*Proud to serve you*

**SETTINGS**

<b>SETTINGS AND OPTIONS</b>	<b>Label</b>	<b>“Ramp Time (s)”</b>	<b>“Initial Value”</b>	<b>“Soft Stop”</b>	<b>“Comp”</b>	<b>“Load”</b>	<b>“Ntrl”</b>	<b>“Curve”</b>
	<b>Description</b>							
	<b>Function</b>	Ramp up time (Softstart and smooth transients)	Initial load voltage (footstep)	Ramp down time	Allows to adapt the control signal range whatever the power factor of the load	Ask the unit to make a softstart up to the max. before analog control.	Tells the unit the load star point is connected to the mains neutral	Tells the unit what kind of in-out response to use (angle or RMS voltage linearity)
	<b>Setting possibilities</b>	Ts= 0 to 64s	Vi=0 to 100 %	<b>0 x ts =</b> 	<b>On (Up)</b>	<b>On (Up)</b>	<b>On (Up)</b>	<b>On (Up)</b>
	White squares = buttons Example :  = all switches down (OFF) (factory setting)			<b>0,5 x ts =</b> 	Inductive load	Motor	Star wiring with neutral (4 wires)	RMS voltage control
<b>ts =</b> 				<b>Off (Down)</b>	<b>Off (Down)</b>	<b>Off (Down)</b>	<b>Off (Down)</b>	
<b>2 x ts =</b> 				Resistive load	Other loads than motors	Delta or star without neutral	Phase angle control	

**INPUT CHARACTERISTICS**

<b>INPUT CIRCUIT</b>	<b>CHARACTERISTIC</b>	<b>LABEL</b>	<b>VALUE</b>		<b>INFO.</b>
	<b>Labels</b>			<b>“0-10V”</b>	<b>“Urg. Stop”</b>
<b>Function</b>			Analog control input	Stop the thyristor controls	
<b>Control type</b>			DC control voltage	Opening the connection between 5 & 6	
<b>Terminals</b>			4 & 6	5 & 6	
<b>Control voltage range</b>		<b>Uc</b>	0-10VDC	-	
<b>Release and control threshold voltage</b>		<b>Ucsmin</b>	0.3VDC	-	
<b>Full power threshold control voltage</b>		<b>Ucsmax</b>	9.7VDC	-	
<b>Max. input voltage</b>		<b>Ucmax</b>	30VDC	6VDC	
<b>Max. reverse voltage</b>		<b>-Ucmax</b>	30VDC	6VDC	
<b>Release voltage</b>		<b>Ut</b>		>1,5V	
<b>Input impedance</b>		<b>Re</b>	100kΩ	-	<b>See fig. 5</b>
<b>Current to switch</b>		<b>Ict</b>	-	20mADC	Ict=f(Ut)

<b>STATUS OUTPUTS</b>	<b>Labels</b>		<b>“Diag. “</b>	<b>“Pwr”</b>	
	<b>Terminals</b>		1 & 2	2 & 3	
	<b>Function</b>		Indicates a problem detected in the circuit configuration	Indicates the load is supplied	
	<b>Nominal operating voltage</b>	<b>Usan</b>	24VAC/DC		
	<b>Operating voltage range</b>	<b>Usa</b>	0->28VAC/DC		
	<b>Max. peak voltage</b>	<b>Usap</b>	60V		
	<b>Overvoltage protection</b>		Built-in 25V size7 varistors		
	<b>Minimum load current</b>	<b>Ipw/Ipb</b>	0A		
	<b>Maximum load current</b>	<b>Ipw/Ipb</b>	1A AC/DC		<b>See fig. 6</b>
	<b>Maximum overload current</b>	<b>Ipw/Ipb</b>	2.4A AC/DC		@100ms 10% of the cycle
	<b>On and off state switch resistance</b>	<b>Ron / Roff</b>	500mΩ / 100MΩ		<b>See fig. 6</b>
	<b>On and off time delay</b>	<b>Ton / Toff</b>	0.5ms / 2ms		

**OUTPUT CHARACTERISTICS**

CHARACTERISTIC	LABEL	VALUE				INFO.
		Resistive I <sub>thmax</sub> AC51	Resistive I <sub>th</sub> AC51	Motor I <sub>emax</sub> AC53a	Motor I <sub>e</sub> AC53a	
Mains voltage range	U <sub>e</sub>	200 -> 480VAC				
Non-repetitive peak voltage	U <sub>ep</sub>	1200V				
Oversvoltage protection	VDR	Built-in 510V size 14 varistors				
Maximum nominal currents	I <sub>e</sub>	25A	16A (EN60947-4-3)	25A	16A (EN60947-4-2)	<b>@40°C</b> <b>See fig. 7</b> Delta wiring : See installation manual
		43A	28A (EN60947-4-3)	43A	28A (EN60947-4-2)	
Maximum line currents in delta wiring	I <sub>Line</sub>	43A	28A (EN60947-4-3)	43A	28A (EN60947-4-2)	
Max motor power	P <sub>e</sub>	11kW @400VAC star connection				<b>@40°C</b>
Non-repetitive peak overload current (1 cycle of 10ms)	ITSM	1500A				<b>See fig. 8</b>
Melting limit for choosing the protective fuses	I <sup>2</sup> t	11000A <sup>2</sup> s				<b>@10ms</b>
Minimum load current	I <sub>emin</sub>	100mA				
Maximum leakage current	I <sub>elk</sub>	7mA				@400VAC 50Hz
Power factor	Pf	0->1				
Mains frequency range	F	40->65Hz				
Max. off-state voltage rise	dv/dt	500V/μs				
Protection against fast voltage transients		Buit-in RC network				
Max. current rise	di/dt	50A/μs				
On-state voltage drop	U <sub>d</sub>	1.4V				<b>@I<sub>th</sub></b>
Resistive part of the voltage drop	r <sub>t</sub>	3.5mΩ				<b>@125°C</b>
Potential part of the voltage drop	V <sub>to</sub>	0.9V				<b>@125°C</b>
Maximum junction temperature	T <sub>jmax</sub>	125°C				
Junction/case thermal resistance per power element	R <sub>thjc</sub>	0.3K/W				Total = 3 power elements
Case heatsink thermal resistance	R <sub>thcs</sub>	0.05K/W				
Built-in heatsink thermal resistance vertically mounted	R <sub>thra</sub>	0.9K/W				<b>@ΔTra=60°C</b>
Heatsink thermal time constant	T <sub>thra</sub>	35min				<b>@ΔTra=60°C</b>
Inputs/power outputs insulation voltage	U <sub>imp</sub>	4kV				
Input/status outputs insulation voltage	U <sub>ied</sub>	2.5kV				
Inputs/case insulation voltage	U <sub>imp</sub>	4kV				
Status outputs/case insulation voltage	U <sub>imp</sub>	4kV				
Isolation resistance	R <sub>io</sub>	1GΩ				
Isolation capacitance	C <sub>io</sub>	<8pF				
Storage ambient temperature	T <sub>stg</sub>	-40->+100°C				
Operating ambient temperature	T <sub>amb</sub>	-40->+90°C				<b>See fig. 7</b>
Max. heatsink temperature	T <sub>c</sub>	100°C				

**POWER CIRCUIT**

**INTERNAL POWER SUPPLY**

INTERNAL POWER SUPPLY	CHARACTERISTIC	LABEL	VALUE	INFO.
	Terminals		3L2 & 5L3	
	Mains voltage range	Ue	200->480VAC	
	Consumption	Is	1mA typical	
	Mains frequency range	F	40-65Hz	
	Turn-on time	tm	100ms	

**GENERAL INFORMATION**

CONNEC- TIONS	Connections		Power	Input terminal block	
	Screwdriver advised		Posidriv 2 or 0.8 x 5.5mm	0.8 x 2mm	
	Min and max tightening torque		1.8->3N.m		
	Number and cross section of the wires		2 x 1.5->6mm <sup>2</sup> (10mm <sup>2</sup> without ferrule)	1 x 2.5mm <sup>2</sup>	
	Screwdriver for settings		0.8 x 2mm		

MISC.	Housing		UL94V0	
	Mounting		Omega DIN rail (DIN50022) or screwed	
	Noise level		Low audible vibrations	
	Weight		2000g	

**STANDARDS**

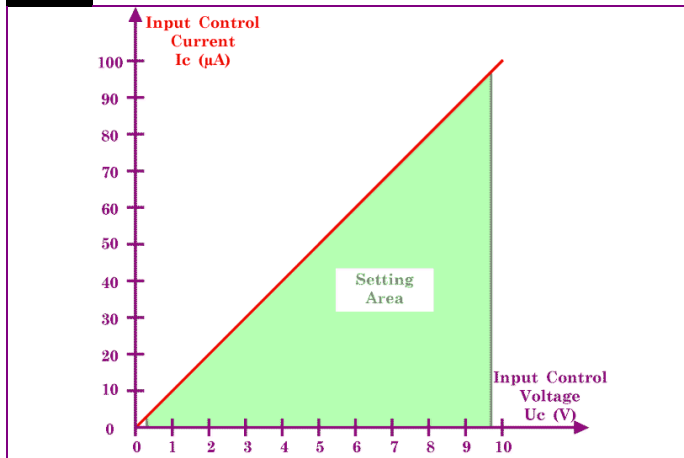
GENERAL	Standards		EN60947-4-2 & EN60947-4-3	
	Protection level		IP2L0	
	Protection against direct touch		Accordin to V.D.E. 160 part 100 : Back hand and finger safety	
	CE marking		Yes	
	UL, cULUS and VDE approvals		Pending	

E.M.C. IMMUNITY	TYPE OF TEST	STANDARD	LEVEL	EFFECT
	E.S.D. (Electrostatic discharges)	EN61000-4-2	8kV (air) 4kV (touch)	No effect
	Radiated electromagnetic fields	EN61000-4-3	10V/m	No effect
	Fast transients bursts	EN61000-4-4	2kV direct coupling on the power side 2kV coupling by clamp on the input side	No effect
	Electric chocks	EN61000-4-5	1kV direct coupling differential mode (input and output) 2kV direct coupling common mode (input and output)	No effect
	Voltage drop	EN61000-4-11	-	

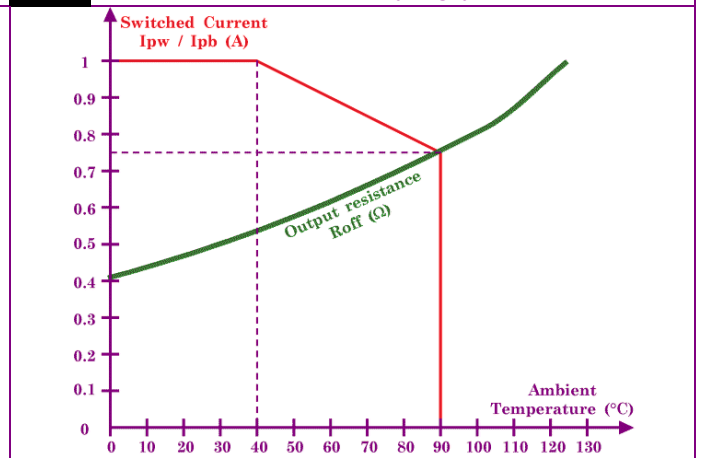
E.M.C. EMISSION	Disturbances	STANDARD	LEVEL	EFFECT
	Radiated and conducted disturbances	NFEN55011		<p>The conducted or radiated disturbances generated by solid state relays depend on the wiring and load configuration.</p> <p>The test method recommended by the European standards and concerning electromagnetic compatibility leading to results far from reality, we decided to advise our customer in order to adapt their filtering scheme to their application.</p> <p><b>Please refer to the SVTA – SWTA installation manual.</b></p>

**CHARACTERISTIC CURVES**

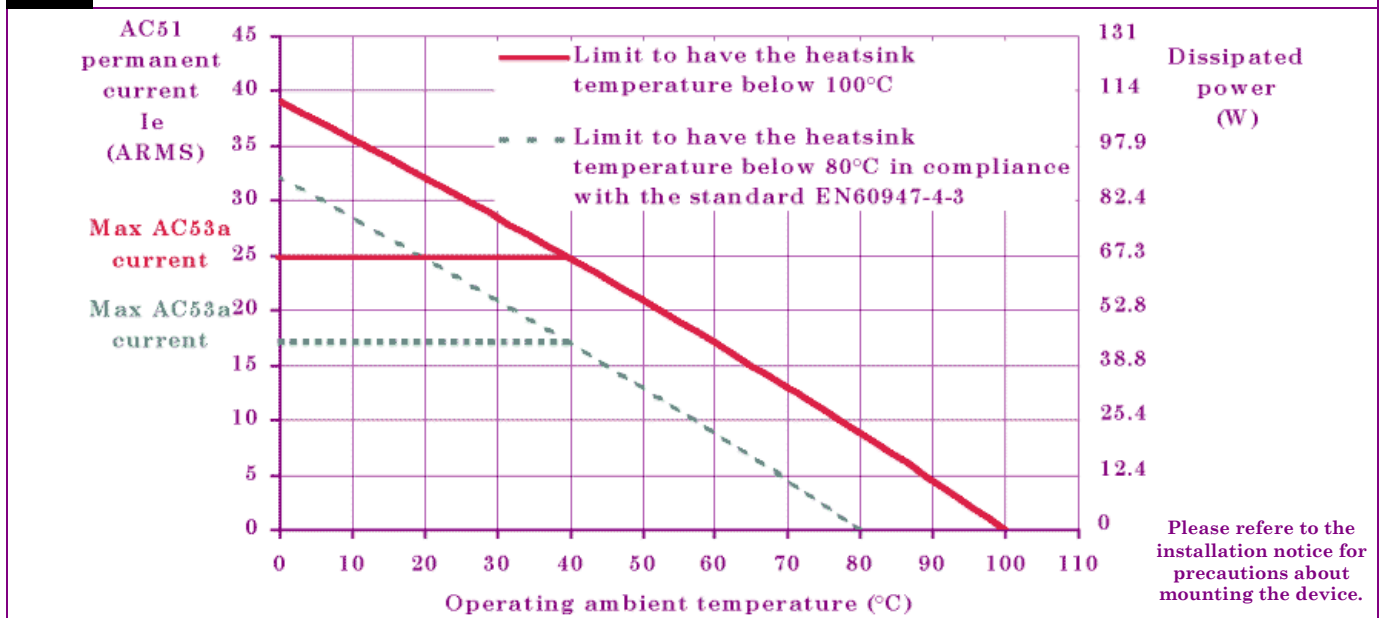
**Fig. 5 INPUT CHARACTERISTIC**



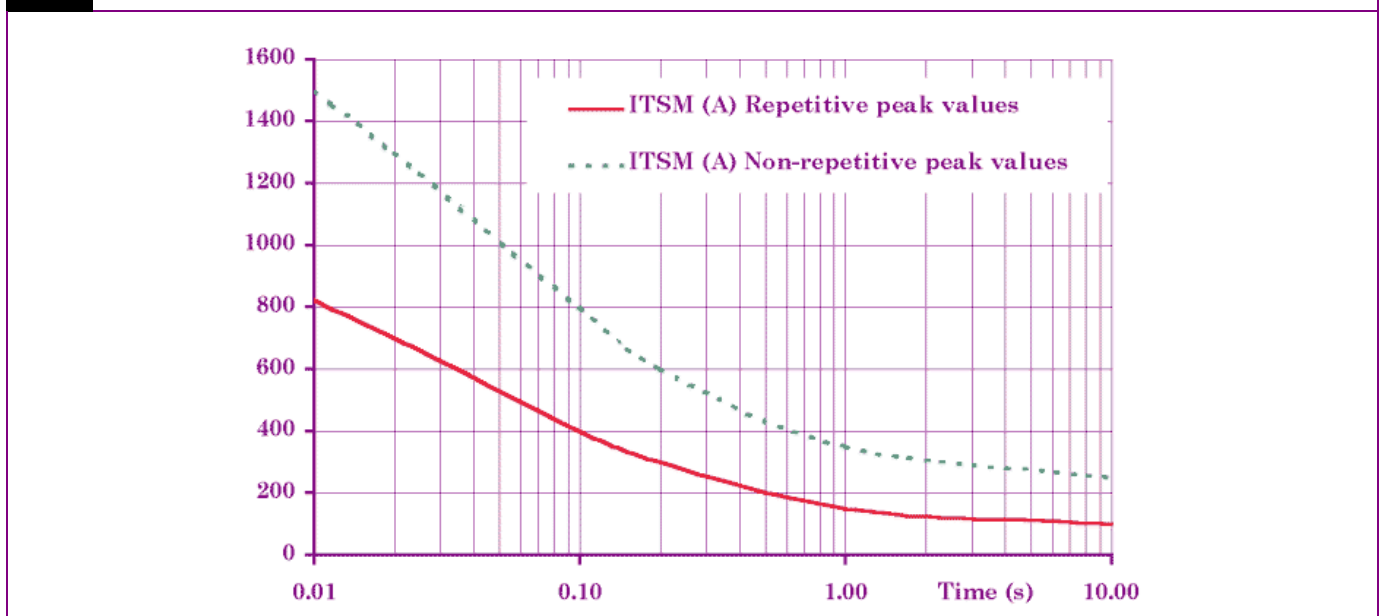
**Fig. 6 CURRENT AND ON RESISTANCE VS TEMPERATURE**



**Fig. 7 POWER DISSIPATED AND LOAD CURRENT LIMIT VS TEMPERATURE**



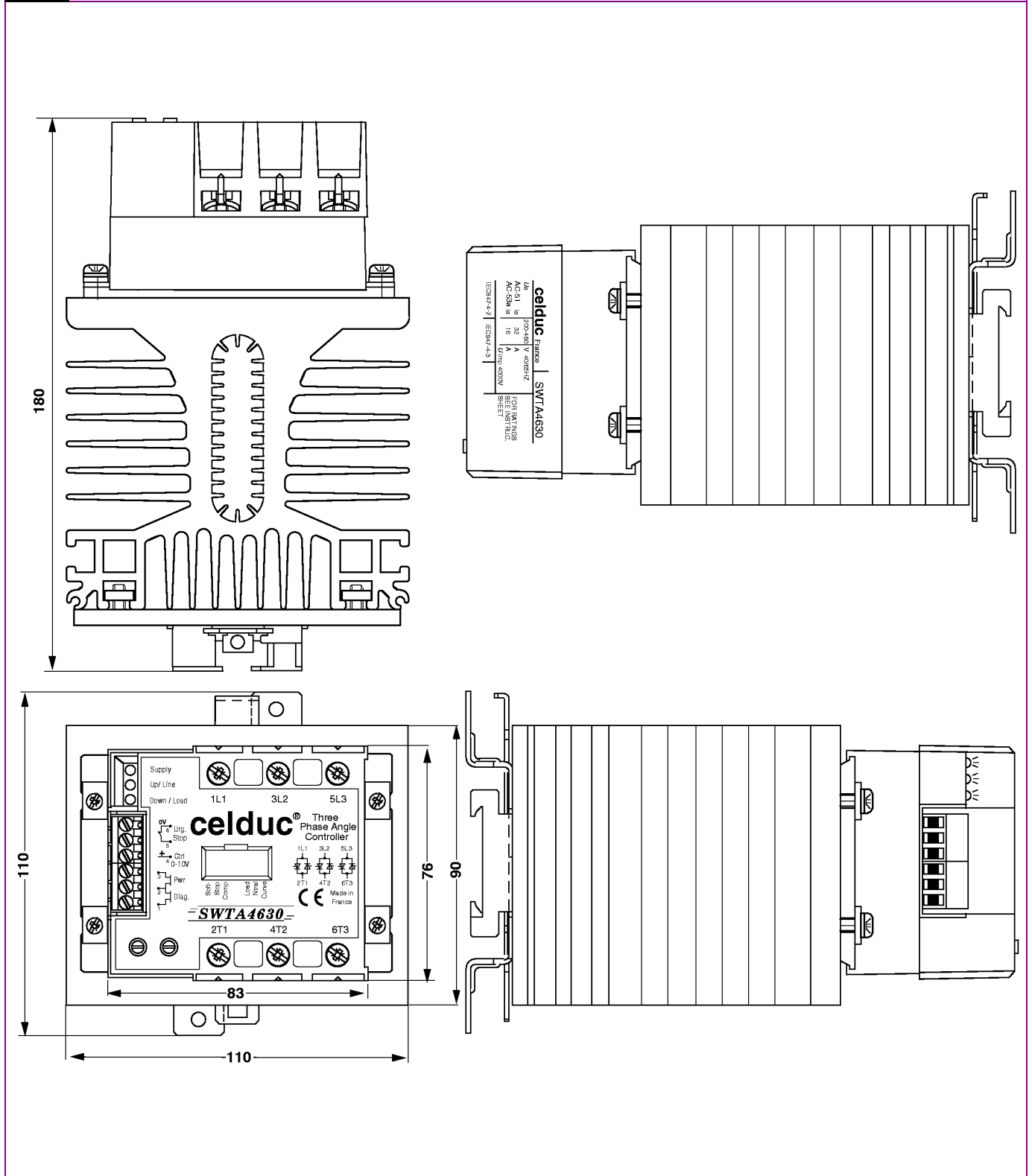
**Fig. 8 CURRENT OVERLOAD CHARACTERISTIC (ITSM PER POWER ELEMENT)**



**DIMENSIONS AND ACCESSORIES**

**Fig. 9**

**DIMENSIONS**



ISO 9001  
N° 1993/1106a

ASSOCIATION  
FRANÇAISE POUR  
L'ASSURANCE DE  
LA QUALITÉ