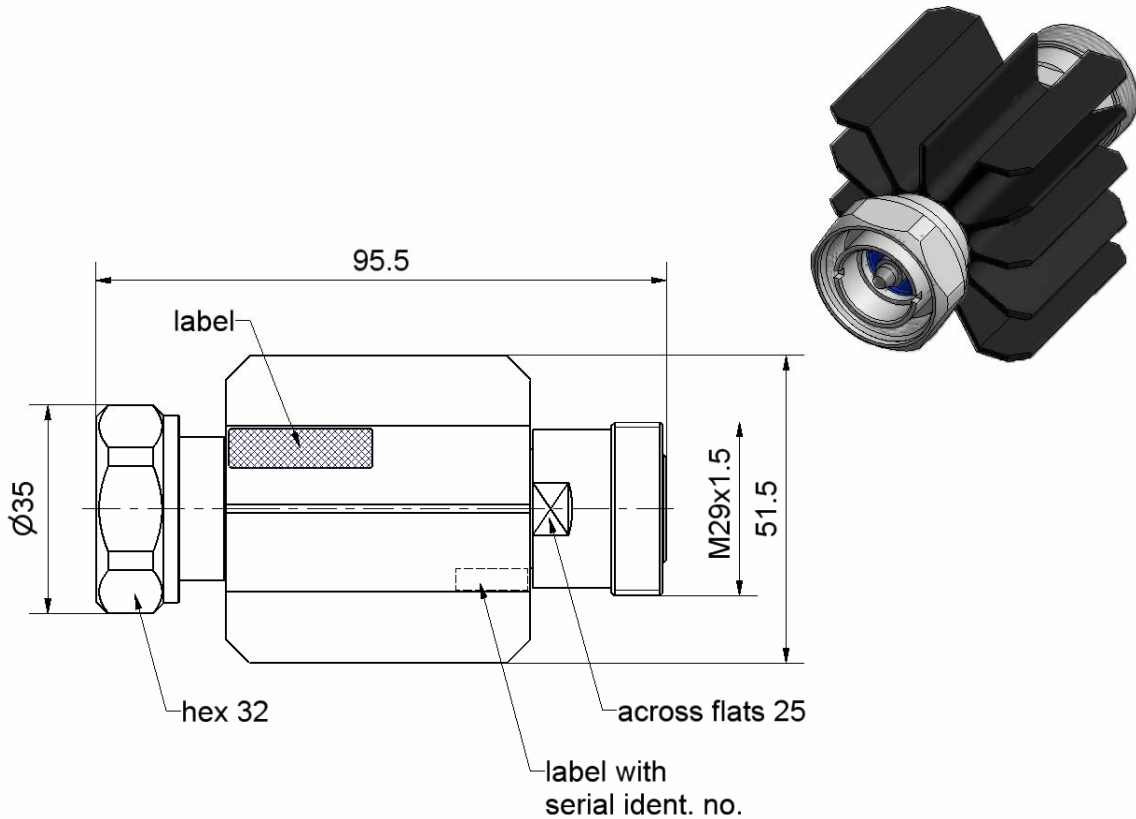


7/16  
50Ω

ATTENUATOR PLUG/JACK

**60AS120-K30N1**



All dimensions are in mm; tolerances according to ISO 2768 m-H

**Interface**

According to IEC 60169-4, VG 95250, EN 122190, DIN 47223

**Documents**

N/A

**Material and plating**

**Connector parts**

	<b>Material</b>	<b>Plating</b>
Center contact - plug	Brass	Silver, 3-6 µm
Center contact - jack	Beryllium copper	Silver, 3-6 µm
Outer contact	Brass	Flash white bronze over silver(e.g. Optargen®)
Body	Brass	Flash white bronze over silver(e.g. Optargen®)
Heatsink	Al	black anodised
Coupling nut	Brass	Flash white bronze over silver(e.g. Optargen®)
Dielectric	PPE	
Substrate	ALN	

RF\_35/08.06/4.0

7/16  
50Ω

ATTENUATOR PLUG/JACK

**60AS120-K30N1**

**Electrical data**

Impedance 50 Ω  
 Frequency DC to 8 GHz  
 Return loss ≥ 30.7 dB, DC to 1 GHz  
 ≥ 26.4 dB, 1 GHz to 2 GHz  
 ≥ 20.0 dB, 2 GHz to 8 GHz  
 Attenuation 30 dB  
 Tolerances ≤ ± 0.4 dB, DC to 2 GHz  
 ≤ ± 0.5 dB, 2 GHz to 4 GHz  
 ≤ ± 1.0 dB, 4 GHz to 8 GHz  
 Center contact resistance ≤ 4.0 mΩ  
 Outer contact resistance ≤ 1.5 mΩ  
 Power handling 20 W at 25°C  
 derated linearity to 0 Watts at 125°C

**Mechanical data**

Mating cycles min. 500  
 Coupling nut retention ≥ 1000 N  
 Center contact captivation ≥ 200 N  
 Coupling test torque max. 35 Nm  
 Recommended torque 25 Nm to 30 Nm

**Environmental data**

Temperature range -65°C to +85°C  
 2002/95/EC (RoHS) compliant

**Tooling**

N/A

**Suitable cables**

N/A

**Packing**

Standard 1 pce in bag  
 Weight 270 g/pce

While the information has been carefully compiled to the best of our knowledge, nothing is intended as representation or warranty on our part and no statement herein shall be construed as recommendation to infringe existing patents. In the effort to improve our products, we reserve the right to make changes judged to be necessary.

Draft	Date	Approved	Date	Rev.	Engineering change number	Name	Date
Kerstin Herzog	29/03/05	Frank Weiß	07/07/08	c00	08-0348	Kerstin Hobrak	08/07/08
Rosenberger Hochfrequenztechnik GmbH & Co. KG P.O.Box 1260 D-84526 Tittmoning Germany <a href="http://www.rosenberger.de">www.rosenberger.de</a>					Tel.: +49 8684 18-0 Fax: +49 8684 18-499 email: <a href="mailto:info@rosenberger.de">info@rosenberger.de</a>		Page 2 / 2