



POWER SUPPLY

- AC 100-120 / 200-240V Auto-select Input
- PFC Inductor Included - Fulfills EN 61000-3-2
- Width only 60mm
- Efficiency up to 91.2%
- Easy Fuse Breaking due to High Overload Peak Current
- Full Power Between -25°C and +60°C
- Minimal Inrush Current Surge
- 3 Year Warranty

GENERAL DESCRIPTION

The DIMENSION C-Line units are cost optimized power supplies without compromising quality, reliability and performance. The C-Line is part of the DIMENSION power supply family, existing alongside the high featured Q-Line.

The CS10.242 includes all the essential basic functions and the devices have a power reserve of 20% for short-term peak power demands.

The most important features are the small size, high efficiency, the wide temperature range and a PFC filter which fulfills the harmonic standard EN61000-3-2.

The Auto-select input makes worldwide installation and usage very simple. Defects or system failures caused by wrongly set switches cannot occur.

High immunity to transients and power surges as well as low electromagnetic emission and a large international approval package for a variety of applications makes this unit suitable for nearly every situation.

SHORT-FORM DATA

| | | |
|-------------------|------------------------|---------------------------|
| Output voltage | DC 24V | |
| Adjustment range | 24 - 28V | |
| Output current | 10A | at 24V |
| | 8.6A | at 28V |
| Output power | 240W | |
| Output ripple | < 50mVpp | 20Hz to 20MHz |
| AC Input voltage | AC 100-120V / 200-240V | ±10% Auto-select input |
| Mains frequency | 50-60Hz | ±6% |
| AC Input current | 3.73 / 2.0A | at 120 / 230Vac |
| DC Input voltage | - | not allowed |
| Power factor | 0.59 / 0.57 | at 120 / 230Vac |
| AC Inrush current | 3 / 3A peak | at 120 / 230Vac |
| Efficiency | 91.0 / 91.2% | at 120 / 230Vac |
| Losses | 23.7 / 23.2W | at 120 / 230Vac |
| Temperature range | -25°C to +70°C | operational |
| Derating *) | 6W/°C | +60 to +70°C |
| Hold-up time | 46 / 42ms | at 120 / 230Vac |
| Dimensions | 60x124x117mm | WxHxD |
| Weight | 800g / 1.76lb | |

ORDER NUMBERS

| | | |
|--------------|-----------------|------------------------------------|
| Power Supply | CS10.242 | 24-28V Standard unit (PFC-Version) |
| Accessory | ZM1.WALL | Wall mount bracket |
| | ZM13.SIDE | Side mount bracket |
| | YRM2.DIODE | Redundancy module |
| | YR40.241 | Redundancy module |

MARKINGS



INDEX

| | Page | | Page |
|---|------|---|------|
| 1. Intended Use | 3 | 20. Physical Dimensions and Weight | 18 |
| 2. Installation Requirements..... | 3 | 21. Accessories | 19 |
| 3. AC-Input..... | 4 | 21.1. ZM1.WALL - Wall Mounting Bracket..... | 19 |
| 4. DC-Input..... | 6 | 21.2. ZM13.SIDE - Side Mounting Bracket..... | 19 |
| 5. Input Inrush Current | 6 | 21.3. Redundancy Modules | 20 |
| 6. Output | 7 | 22. Application Notes..... | 21 |
| 7. Hold-up Time..... | 8 | 22.1. Peak Current Capability | 21 |
| 8. Efficiency and Power Losses..... | 9 | 22.2. Back-feeding Loads | 22 |
| 9. Lifetime Expectancy and MTBF..... | 10 | 22.3. External Input Protection..... | 22 |
| 10. Functional Diagram..... | 10 | 22.4. Output Circuit Breakers..... | 22 |
| 11. Terminals and Wiring..... | 11 | 22.5. Parallel Use to Increase Output Power.... | 23 |
| 12. Front Side and User Elements..... | 12 | 22.6. Parallel Use for Redundancy | 23 |
| 13. EMC..... | 13 | 22.7. Series Operation | 23 |
| 14. Environment | 14 | 22.8. Inductive and Capacitive Loads..... | 23 |
| 15. Protection Features | 15 | 22.9. Charging of Batteries | 24 |
| 16. Safety Features..... | 15 | 22.10. Operation on Two Phases | 24 |
| 17. Dielectric Strength | 16 | 22.11. Use in a Tightly Sealed Enclosure | 24 |
| 18. Approvals..... | 17 | 22.12. Mounting Orientations | 25 |
| 19. RoHS, REACH and Other Fulfilled Standards ... | 17 | | |

The information presented in this document is believed to be accurate and reliable and may change without notice. No part of this document may be reproduced or utilized in any form without permission in writing from the publisher.

TERMINOLOGY, ABBREVIATIONS AND DEFINITIONS

| | |
|--|---|
| PE and \oplus symbol | PE is the abbreviation for Protective Earth and has the same meaning as the symbol \oplus . |
| Earth, Ground | This document uses the term "earth" which is the same as the U.S. term "ground". |
| T.b.d. | To be defined, value or description will follow later. |
| AC 230V | A figure displayed with the AC or DC before the value represents a nominal voltage with standard tolerances (usually $\pm 15\%$) included. E.g.: DC 12V describes a 12V battery disregarding whether it is full (13.7V) or flat (10V) |
| 230Vac | A figure with the unit (Vac) at the end is a momentary figure without any additional tolerances included. |
| 50Hz vs. 60Hz | As long as not otherwise stated, AC 100V and AC 230V parameters are valid at 50Hz mains frequency. AC 120V parameters are valid for 60Hz mains frequency. |
| may | A key word indicating flexibility of choice with no implied preference. |
| shall | A key word indicating a mandatory requirement. |
| should | A key word indicating flexibility of choice with a strongly preferred implementation. |

1. INTENDED USE

This device is designed for installation in an enclosure and is intended for the general professional use such as in industrial control, office, communication, and instrumentation equipment.

Do not use this power supply in equipment, where malfunction may cause severe personal injury or threaten human life.

This device is designed for use in hazardous, non-hazardous, ordinary or unclassified locations.

2. INSTALLATION REQUIREMENTS

This device may only be installed and put into operation by qualified personnel.

This device does not contain serviceable parts. The tripping of an internal fuse is caused by an internal defect.

If damage or malfunction should occur during installation or operation, immediately turn power off and send unit to the factory for inspection.

Mount the unit on a DIN-rail so that the input terminals are located on the bottom of the unit. For other mounting orientations see de-rating requirements in this document. See chapter 24.13.

This device is designed for convection cooling and does not require an external fan. Do not obstruct airflow and do not cover ventilation grid (e.g. cable conduits) by more than 15%!

Keep the following installation clearances: 40mm on top, 20mm on the bottom, 5mm on the left and right sides are recommended when the device is loaded permanently with more than 50% of the rated power. Increase this clearance to 15mm in case the adjacent device is a heat source (e.g. another power supply).

A disconnecting means shall be provided for the output of the power supplies when used in applications according to CSA C22.2 No 107.1-01.

⚠ WARNING Risk of electrical shock, fire, personal injury or death.

- Do not use the power supply without proper grounding (Protective Earth). Use the terminal on the input block for earth connection and not one of the screws on the housing.
- Turn power off before working on the device. Protect against inadvertent re-powering.
- Make sure that the wiring is correct by following all local and national codes.
- Do not modify or repair the unit.
- Do not open the unit as high voltages are present inside.
- Use caution to prevent any foreign objects from entering the housing.
- Do not use in wet locations or in areas where moisture or condensation can be expected.
- Do not touch during power-on, and immediately after power-off. Hot surfaces may cause burns.

Notes for use in hazardous location areas:

The power supply is suitable for use in Class I Division 2 Groups A, B, C, D locations.

WARNING EXPLOSION HAZARDS!

Substitution of components may impair suitability for this environment. Do not disconnect the unit or operate the voltage adjustment unless power has been switched off or the area is known to be non-hazardous.

3. AC-INPUT

| | | | |
|---------------------------------|--------------------------------------|--|---|
| AC input | nom. | AC 100-120V / 200-240V ±10% | Auto-select input |
| Mains network systems | | TN, TT or IT | |
| AC input range | min. | 90-132Vac / 180-264Vac 85-90Vac 264-300Vac | continuous operation, lower input voltage range continuous operation, upper input voltage range short-tem or with reduced output current, see Fig. 3-5 max. 500ms |
| Allowed voltage L or N to earth | max. | 300Vac | continuous, IEC 62103 |
| Input frequency | nom. | 50-60Hz | ±6% |
| Turn-on voltage | typ. | 80Vac | steady-state value, see Fig. 3-1 |
| Shut-down voltage | typ. | 75Vac | steady-state value, see Fig. 3-1 |
| External input protection | See recommendations in chapter 22.3. | | |

| | | AC 100V | AC 120V | AC 230V | |
|-----------------------------|------|---------|---------|---------|---|
| Input current | typ. | 4.34A | 3.73A | 2.0 | at 24V, 10A, see Fig. 3-3 |
| Power factor ^{*)} | typ. | 0.61 | 0.59 | 0.57 | at 24V, 10A, see Fig. 3-4 |
| Crest factor ^{**)} | typ. | 2.6 | 2.8 | 3.1 | at 24V, 10A |
| Start-up delay | typ. | 700ms | 800ms | 850ms | see Fig. 3-2 |
| Rise time | typ. | 35ms | 35ms | 35ms | at 24V, 10A const. current load, 0mF load capacitance, see Fig. 3-2 |
| | typ. | 75ms | 75ms | 75ms | at 24V, 10A const. current load, 10mF load capacitance,, see Fig. 3-2 |
| Turn-on overshoot | max. | 100mV | 100mV | 100mV | see Fig. 3-2 |

*) The power factor is the ratio of the true (or real) power to the apparent power in an AC circuit.

***) The crest factor is the mathematical ratio of the peak value to RMS value of the input current waveform.

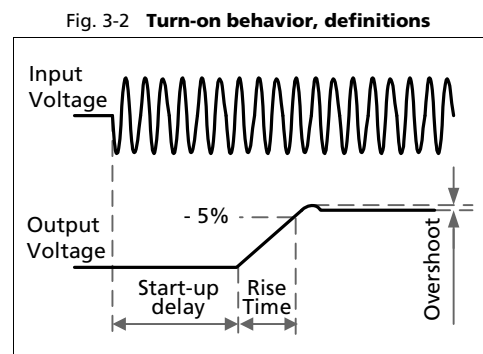
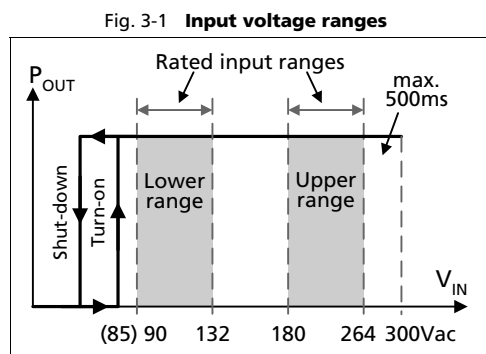


Fig. 3-3 **Input current vs. output load at 24V**

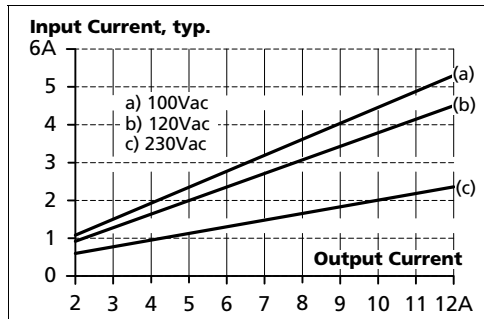


Fig. 3-4 **Power factor vs. output load**

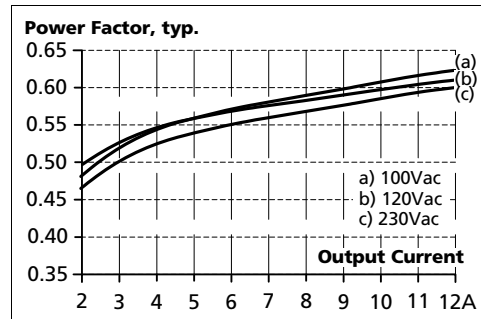
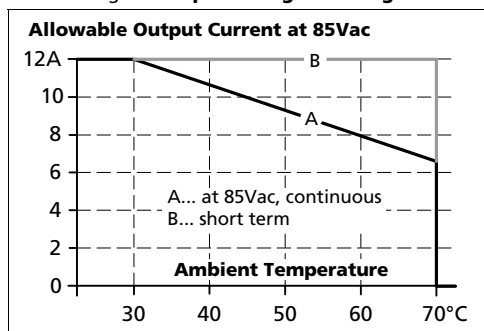


Fig. 3-5 **Input voltage derating**



4. DC-INPUT

Do not operate this power supply with DC-input voltage. Use the CP10.241 or CP10.242 units instead.

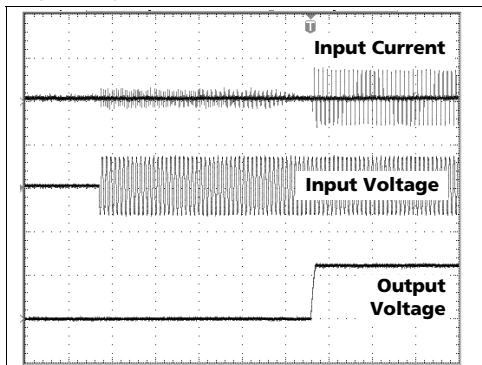
5. INPUT INRUSH CURRENT

After turn-on of the input voltage, an active inrush limitation circuit limits the input inrush current. Virtually no input inrush current is generated.

The charging current into the EMI suppression capacitors is disregarded in the first microseconds after switch-on.

| | | AC 100V | AC 120V | AC 230V | |
|----------------|------|---------------------|---------------------|---------------------|-------------------------|
| Inrush current | max. | 10A _{peak} | 10A _{peak} | 10A _{peak} | temperature independent |
| | typ. | 3A _{peak} | 3A _{peak} | 3A _{peak} | temperature independent |
| Inrush energy | max. | 1A ² s | 1A ² s | 1A ² s | temperature independent |

Fig. 5-1 **Typical input inrush current behavior**



Input: 230Vac
 Output: 24V, 10A
 Ambient: 25°C

Upper curve: Input current (10A / DIV)
 Medium curve: Input voltage (500V / DIV)
 Lower curve: Output voltage (20V / DIV)
 Time scale: 100ms / DIV

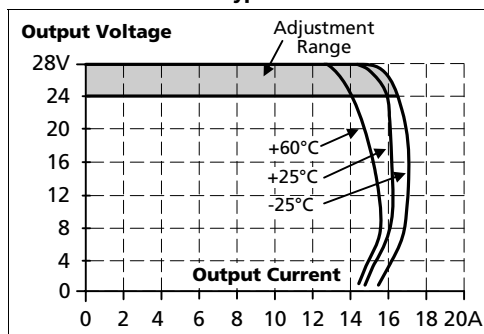
6. OUTPUT

| | | | |
|---------------------------|------|--|--|
| Output voltage | nom. | 24V | |
| Adjustment range | min. | 24-28V | guaranteed |
| | max. | 30V**) | at clockwise end position of potentiometer |
| Factory settings | typ. | 24.1V | ±0.2%, at full load, cold unit, |
| Line regulation | max. | 70mV | 90-132 / 180-300Vac |
| Load regulation | max. | 100mV | static value, 0A → 10A; see Fig. 6-1 |
| Ripple and noise voltage | max. | 50mVpp | 20Hz to 20MHz, 50Ohm |
| Output current | nom. | 10A | at 24V, ambient temperature <60°C, see Fig. 6-1 |
| | nom. | 7.5A | at 24V and 70°C ambient temperature |
| | nom. | 8.6A | at 28V, ambient temperature <60°C, see Fig. 6-1 |
| | nom. | 6.5A | at 28V and 70°C ambient temperature |
| | | Reduce output current linearly between +60°C and +70°C | |
| Short-term output current | nom. | 12A | at 24V, max 1 minute every 10 minutes in average |
| | nom. | 10.3A | at 28V, max 1 minute every 10 minutes in average |
| Output power | nom. | 240W | continuously available |
| Short-term output power | nom. | 288W | max 1 minute every 10 minutes in average |
| Overload behavior | | continuous current | see Fig. 6-1 |
| Short-circuit current | min. | 14A*) | load impedance <100mOhm, see Fig. 6-1 |
| | max. | 18A*) | load impedance <100mOhm, see Fig. 6-1 |
| Output capacitance | typ. | 7 000µF | included inside the power supply |

*) Discharge current of output capacitors is not included.

**) This is the maximum output voltage which can occur at the clockwise end position of the potentiometer due to tolerances. It is not a guaranteed value which can be achieved. The typical value is about 28.5V.

Fig. 6-1 **Output voltage vs. output current, typ.**



7. HOLD-UP TIME

| | | AC 100V | AC 120V | AC 230V | |
|--------------|------|---------|---------|---------|---------------------------|
| Hold-up Time | typ. | 62ms | 107ms | 92ms | at 24V, 5A, see Fig. 7-1 |
| | min. | 50ms | 86ms | 80ms | at 24V, 5A, see Fig. 7-1 |
| | typ. | 23ms | 46ms | 42ms | at 24V, 10A, see Fig. 7-1 |
| | min. | 19ms | 37ms | 36ms | at 24V, 10A, see Fig. 7-1 |

Fig. 7-1 Hold-up time vs. input voltage

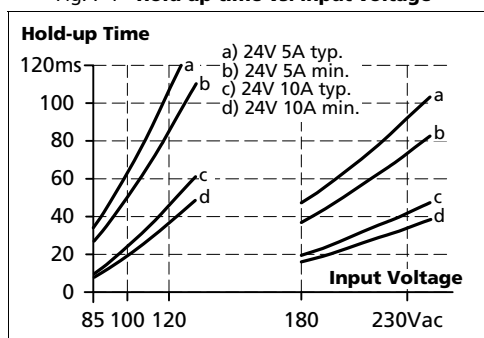
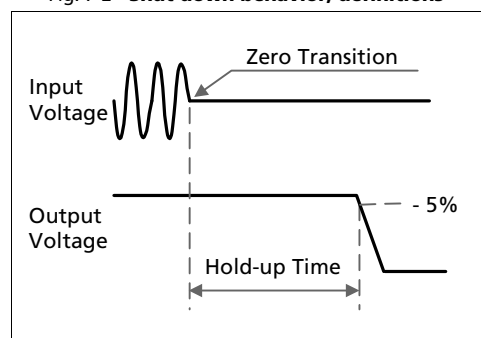


Fig. 7-2 Shut-down behavior, definitions



Note: At no load, the hold-up time can be up to several seconds. The green DC-OK lamp is on during this time.

8. EFFICIENCY AND POWER LOSSES

| | | AC 100V | AC 120V | AC 230V | |
|----------------------|------|----------------|----------------|----------------|---|
| Efficiency | typ. | 90.7% | 91.0% | 91.2% | at 24V, 10A |
| Average efficiency*) | typ. | 90.5% | 90.2% | 90.7% | 25% at 2.5A, 25% at 5A, 25% at 7.5A. 25% at 10A |
| Power losses | typ. | 5.8W | 8.4W | 7.5W | at 24V, 0A |
| | typ. | 12.0W | 12.3W | 11.8W | at 24V, 5A |
| | typ. | 24.6W | 23.7W | 23.2W | at 24V, 10A |

*) The average efficiency is an assumption for a typical application where the power supply is loaded with 25% of the nominal load for 25% of the time, 50% of the nominal load for another 25% of the time, 75% of the nominal load for another 25% of the time and with 100% of the nominal load for the rest of the time.

Fig. 8-1 Efficiency vs. output current at 24V, typ

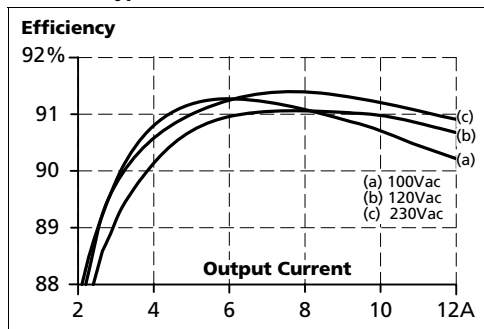


Fig. 8-2 Losses vs. output current at 24V, typ.

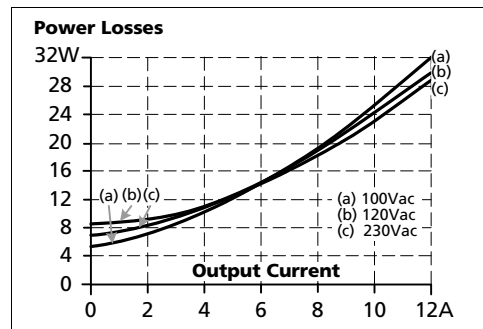


Fig. 8-3 Efficiency vs. input voltage at 24V, 10A, typ.

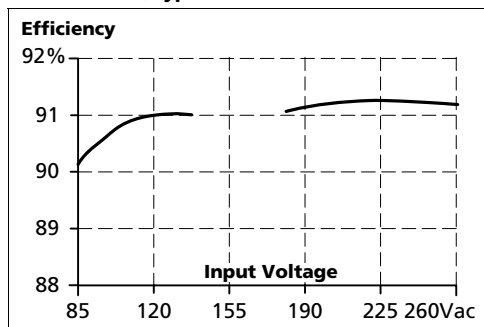
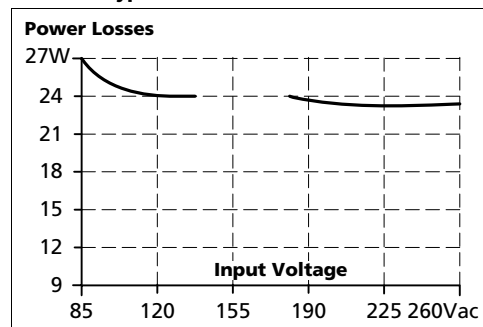


Fig. 8-4 Losses vs. input voltage at 24V, 10A, typ.



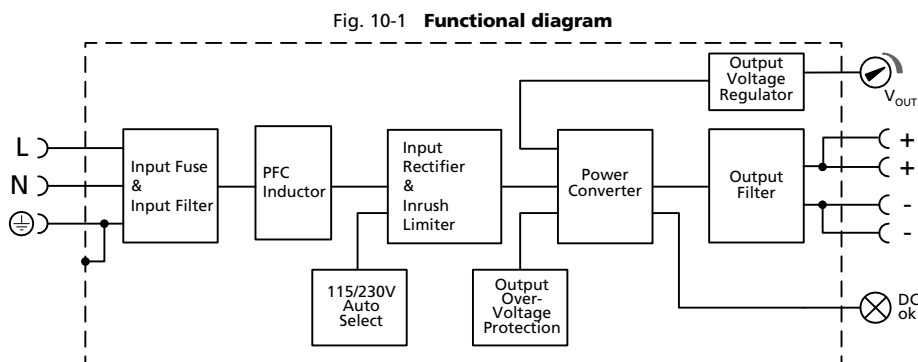
9. LIFETIME EXPECTANCY AND MTBF

| | AC 100V | AC 120V | AC 230V | |
|---|------------------------|------------------------|------------------------|---|
| Lifetime expectancy ^{*)} | 93 000h | 99 000h | 108 000h | at 24V, 5A and 40°C |
| | 264 000h ^{*)} | 281 000h ^{*)} | 305 000h ^{*)} | at 24V, 5A and 25°C |
| | 38 000h | 50 000h | 75 000h | at 24V, 10A and 40°C |
| | 107 000h ^{*)} | 141 000h ^{*)} | 213 000h ^{*)} | at 24V, 10A and 25°C |
| MTBF ^{**) SN 29500, IEC 61709} | 612 000h | 638 000h | 821 000h | at 24V, 10A and 40°C |
| | 1 019 000h | 1 058 000h | 1 393 000h | at 24V, 10A and 25°C |
| MTBF ^{**) MIL HDBK 217F} | 456 000h | 447 000h | 472 000h | at 24V, 10A and 40°C; Ground Benign GB40 |
| | 632 000h | 628 000h | 653 000h | at 24V, 10A and 25°C; Ground Benign GB25 |

*) The **Lifetime expectancy** shown in the table indicates the minimum operating hours (service life) and is determined by the lifetime expectancy of the built-in electrolytic capacitors. Lifetime expectancy is specified in operational hours and is calculated according to the capacitor's manufacturer specification. The manufacturer of the electrolytic capacitors only guarantees a maximum life of up to 15 years (131 400h). Any number exceeding this value is a calculated theoretical lifetime which can be used to compare devices.

) **MTBF stands for **Mean Time Between Failure**, which is calculated according to statistical device failures, and indicates reliability of a device. It is the statistical representation of the likelihood of a unit to fail and does not necessarily represent the life of a product. The MTBF figure is a statistical representation of the likelihood of a device to fail. A MTBF figure of e.g. 1 000 000h means that statistically one unit will fail every 100 hours if 10 000 units are installed in the field. However, it can not be determined if the failed unit has been running for 50 000h or only for 100h.

10. FUNCTIONAL DIAGRAM



11. TERMINALS AND WIRING

The terminals are IP20 Finger safe constructed and suitable for field- and factory wiring.

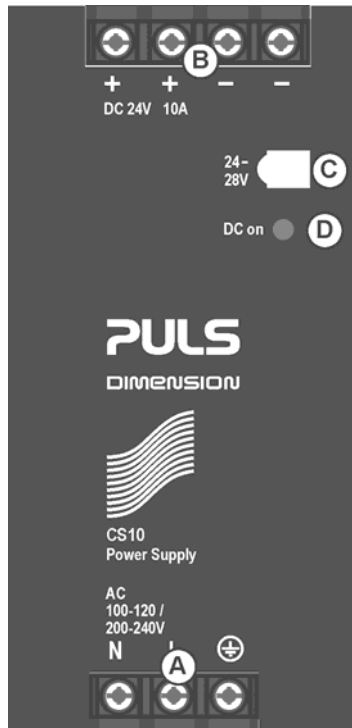
| Type | Screw terminals |
|-------------------------------|----------------------------------|
| Solid wire | 0.5-6mm ² |
| Stranded wire | 0.5-4mm ² |
| American Wire Gauge | AWG20-10 |
| Max. wire diameter | 2.8mm (including ferrules) |
| Wire stripping length | 7mm / 0.28inch |
| Screwdriver | 3.5mm slotted or cross-head No 2 |
| Recommended tightening torque | 1Nm, 9lb.in |
| Pull-out force | according to UL 486E |

Instructions:

- a) Use appropriate copper cables that are designed for minimum operating temperatures of:
60°C for ambient up to 45°C and
75°C for ambient up to 60°C minimum
90°C for ambient up to 70°C minimum.
- b) Follow national installation codes and installation regulations!
- c) Ensure that all strands of a stranded wire enter the terminal connection!
- d) Do not use the unit without PE connection.
- e) Unused terminal compartments should be securely tightened.
- f) Ferrules are allowed.

12. FRONT SIDE AND USER ELEMENTS

Fig. 12-1 Front side



A Input Terminals (screw terminals)

- N, L** Line input
- ⊕ PE (Protective Earth) input

B Output Terminals (screw terminals, two pins per pole)

- + Positive output
- Negative (return) output

C Output voltage potentiometer

Open the flap to adjust the output voltage. Factory set: 24.1V

D DC-OK LED (green)

On, when the voltage on the output terminals is >21V

13. EMC

The power supply is suitable for applications in industrial environment as well as in residential, commercial and light industry environment.

A detailed EMC report is available on request.

| EMC Immunity | According generic standards: EN 61000-6-1 and EN 61000-6-2 | | | |
|--------------------------|--|--|---|--|
| Electrostatic discharge | EN 61000-4-2 | contact discharge air discharge | 8kV 15kV | Criterion A Criterion A |
| Electromagnetic RF field | EN 61000-4-3 | 80MHz-2.7GHz | 10V/m | Criterion A |
| Fast transients (Burst) | EN 61000-4-4 | input lines output lines | 4kV 2kV | Criterion A Criterion A |
| Surge voltage on input | EN 61000-4-5 | L → N L → PE, N → PE | 2kV 4kV | Criterion A Criterion A |
| Surge voltage on output | EN 61000-4-5 | + → - + / - → PE | 500V 1kV | Criterion A Criterion A |
| Conducted disturbance | EN 61000-4-6 | 0.15-80MHz | 10V | Criterion A |
| Mains voltage dips | EN 61000-4-11 | 0% of 100Vac 40% of 100Vac 70% of 100Vac 0% of 200Vac 40% of 200Vac 70% of 200Vac | 0Vac, 20ms 40Vac, 200ms 70Vac, 500ms 0Vac, 20ms 80Vac, 200ms 140Vac, 500ms | Criterion A Criterion C Criterion C Criterion A Criterion C Criterion C |
| Voltage interruptions | EN 61000-4-11 | | 5000ms | Criterion C |
| Powerful transients | VDE 0160 | over entire load range | 750V, 1.3ms | Criterion A |

Criteria:

- A:** Power supply shows normal operation behavior within the defined limits.
- B:** Temporary voltage dips possible. No change in operation mode.
- C:** Temporary loss of function is possible. Power supply may shut-down and restarts by itself. No damage or hazards for the power supply will occur.

| EMC Emission | According generic standards: EN 61000-6-3, EN 61000-6-4 | |
|------------------------------------|---|---|
| Conducted emission input lines | EN 55011, EN 55022, FCC Part 15, CISPR 11, CISPR 22 | Class B |
| Conducted emission output lines**) | IEC/CISPR 16-1-2, IEC/CISPR 16-2-1 | limits for DC power port according EN 61000-6-3 not fulfilled |
| Radiated emission | EN 55011, EN 55022 | Class B |
| Harmonic input current | EN 61000-3-2 | fulfilled |
| Voltage fluctuations, flicker | EN 61000-3-3 | fulfilled*) |

This device complies with FCC Part 15 rules.

Operation is subjected to following two conditions: (1) this device may not cause harmful interference, and (2) this device must accept any interference received, including interference that may cause undesired operation.

*) tested with constant current loads, non pulsing

**) for information only, not mandatory for EN 61000-6-3

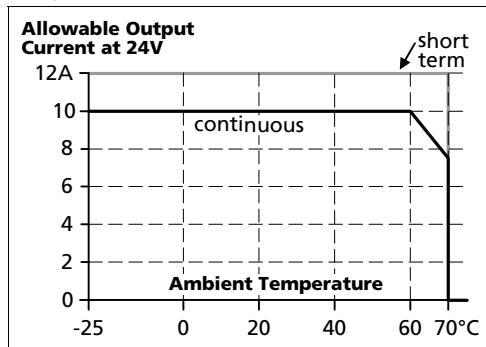
| | | |
|----------------------------|-----------------|---|
| Switching frequency | 85kHz to 110kHz | Main converter, input voltage dependent |
|----------------------------|-----------------|---|

14. ENVIRONMENT

| | | |
|---------------------------------------|--|---|
| Operational temperature ^{*)} | -25°C to +70°C (-13°F to 158°F) | reduce output power according Fig. 14-1 |
| Storage temperature | -40°C to +85°C (-40°F to 185°F) | for storage and transportation |
| Output de-rating | 6W/°C | 60°C to 70°C (140°F to 158°F) |
| Humidity ^{**)} | 5 to 95% r.h. | IEC 60068-2-30 |
| Vibration sinusoidal | 2-17.8Hz: ±1.6mm; 17.8-500Hz: 2g ^{***)} 2 hours / axis ^{***)} | IEC 60068-2-6 |
| Shock | 30g 6ms, 20g 11ms ^{***)} 3 bumps / direction, 18 bumps in total | IEC 60068-2-27 |
| Altitude | 0 to 2000m (0 to 6 560ft) 2000 to 6000m (6 560 to 20 000ft) | without any restrictions reduce output power or ambient temperature, see Fig. 14-2 IEC 62103, EN 50178, overvoltage category II |
| Altitude de-rating | 15W/1000m or 5°C/1000m | > 2000m (6500ft), see Fig. 14-2 |
| Over-voltage category | III II | IEC 62103, EN 50178, altitudes up to 2000m altitudes from 2000m to 6000m |
| Degree of pollution | 2 | IEC 62103, EN 50178, not conductive |
| LABS compatibility | The unit does not release any silicone or other LABS-critical substances and is suitable for use in paint shops. | |

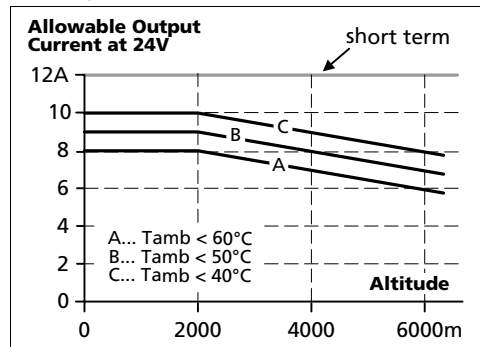
*) Operational temperature is the same as the ambient or surrounding temperature and is defined as the air temperature 2cm below the unit.
 **) Do not energize while condensation is present
 ***) Tested in combination with DIN-Rails according to EN 60715 with a height of 15mm and a thickness of 1.3mm and standard orientation.

Fig. 14-1 **Output current vs. ambient temp.**



Short-term: max 1 minute every 10 minutes in average

Fig. 14-2 **Output current vs. altitude**



15. PROTECTION FEATURES

| | | |
|--------------------------------|---|---|
| Output protection | Electronically protected against overload, no-load and short-circuits ^{*)} | |
| Output over-voltage protection | typ. 35Vdc max. 39Vdc | In case of an internal power supply defect, a redundant circuit limits the maximum output voltage. The output shuts down and automatically attempts to restart. |
| Degree of protection | IP 20 | EN/IEC 60529 Caution: For use in a controlled environment according to CSA 22.2 No 107.1-01. |
| Penetration protection | > 3.5mm | e.g. screws, small parts |
| Over-temperature protection | yes | Output shut-down with automatic restart |
| Input transient protection | MOV (Metal Oxide Varistor) | |
| Internal input fuse | included | not user replaceable |

*) In case of a protection event, audible noise may occur.

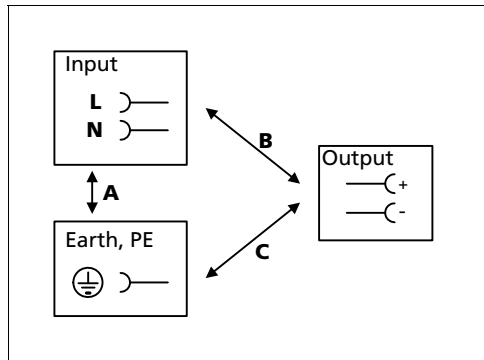
16. SAFETY FEATURES

| | | |
|---|--|--|
| Input / output separation ^{*)} | SELV PELV double or reinforced insulation | IEC/EN 60950-1 IEC/EN 60204-1, EN 50178, IEC 62103, IEC 60364-4-41 |
| Class of protection | I | PE (Protective Earth) connection required |
| Isolation resistance | > 5MΩ | input to output, 500Vdc |
| PE resistance | < 0.1Ω | between housing and PE terminal |
| Touch current (leakage current) | typ. 0.36mA / 0.91mA typ. 0.50mA / 1.25mA typ. 0.64mA / 1.59mA max. 0.45mA / 1.13mA max. 0.62mA / 1.55mA max. 0.85mA / 2.11mA | 100Vac, 50Hz, TN-,TT-mains / IT-mains 120Vac, 60Hz, TN-,TT-mains / IT-mains 230Vac, 50Hz, TN-,TT-mains / IT-mains 110Vac, 50Hz, TN-,TT-mains / IT-mains 132Vac, 60Hz, TN-,TT-mains / IT-mains 264Vac, 50Hz, TN-,TT-mains / IT-mains |

17. DIELECTRIC STRENGTH

The output voltage is floating and has no ohmic connection to the ground. Type and factory tests are conducted by the manufacturer. Field tests may be conducted in the field using the appropriate test equipment which applies the voltage with a slow ramp (2s up and 2s down). Connect all input-terminals together as well as all output poles before conducting the test. When testing, set the cut-off current settings to the value in the table below.

Fig. 17-1 Dielectric strength





| | | A | B | C |
|-------------------------|-----|---------|---------|--------|
| Type test | 60s | 2500Vac | 3000Vac | 500Vac |
| Factory test | 5s | 2500Vac | 2500Vac | 500Vac |
| Field test | 5s | 2000Vac | 2000Vac | 500Vac |
| Cut-off current setting | | > 15mA | > 15mA | > 20mA |

To fulfil the PELV requirements according to EN60204-1 § 6.4.1, we recommend that either the + pole, the - pole or any other part of the output circuit shall be connected to the protective earth system. This helps to avoid situations in which a load starts unexpectedly or can not be switched off when unnoticed earth faults occur.

18. APPROVALS

| | | |
|---|---|---|
| EC Declaration of Conformity |  | The CE mark indicates conformance with the - EMC directive 2004/108/EC and the - Low-voltage directive (LVD) 2006/95/EC |
| IEC 60950-1 2 nd Edition |  | CB Scheme, Information Technology Equipment |
| UL 508 |  | Listed for use as Industrial Control Equipment; U.S.A. (UL 508) and Canada (C22.2 No. 107-1-01); E-File: E198865 |
| UL 60950-1 2 nd Edition |  | Recognized for use as Information Technology Equipment, Level 5; U.S.A. (UL 60950-1) and Canada (C22.2 No. 60950-1); E-File: E137006 Applicable for altitudes up to 2000m. |
| ANSI / ISA 12.12.01-2007 Class I Div 2 |  | Recognized for use in Hazardous Location Class I Div 2 T3 Groups A,B,C,D systems; U.S.A. (ANSI / ISA 12.12.01-2007) and Canada (C22.2 No. 213-M1987) |
| Marine |   | GL (Germanischer Lloyd) classified Environmental category: C, EMC2 Marine and offshore applications ABS (American Bureau for Shipping) PDA |
| EAC TR Registration |  | Registration for the Eurasian Customs Union market (Russia, Kazakhstan, Belarus) |

19. ROHS, REACH AND OTHER FULFILLED STANDARDS

| | | |
|-----------------|---|---|
| RoHS Directive |  | Directive 2011/65/EU of the European Parliament and the Council of June 8 th , 2011 on the restriction of the use of certain hazardous substances in electrical and electronic equipment. |
| REACH Directive |  | Directive 1907/2006/EU of the European Parliament and the Council of June 1 st , 2007 regarding the Registration, Evaluation, Authorisation and Restriction of Chemicals (REACH) |

20. PHYSICAL DIMENSIONS AND WEIGHT

| | |
|-------------------------|--|
| Width | 60mm 2.36" |
| Height | 124mm 4.88" |
| Depth | 117mm 4.61" The DIN-rail height must be added to the unit depth to calculate the total required installation depth. |
| Weight | 800g / 1.76lb |
| DIN-Rail | Use 35mm DIN-rails according to EN 60715 or EN 50022 with a height of 7.5 or 15mm. |
| Housing material | Body: Aluminium alloy Cover: zinc-plated steel |
| Installation clearances | See chapter 2 |

Fig. 20-1 **Front view**

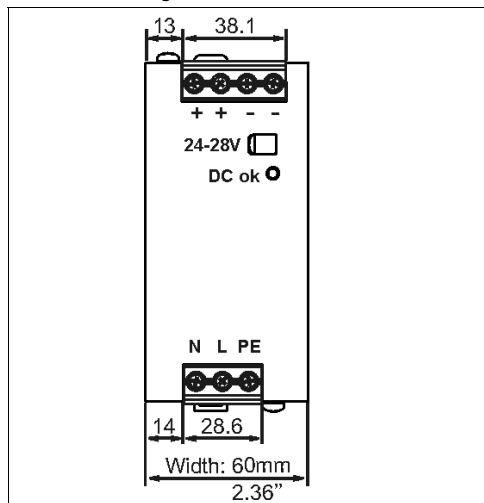
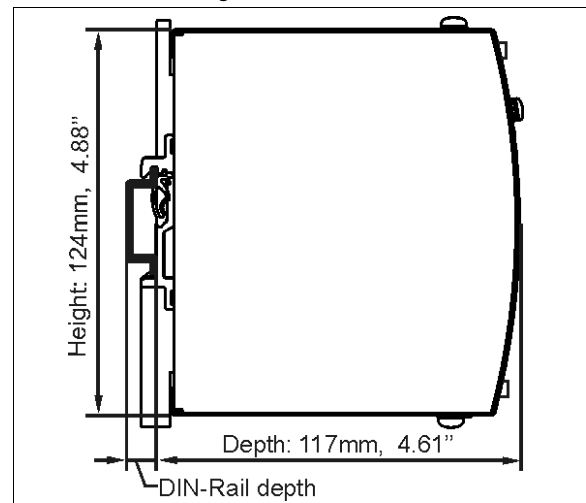


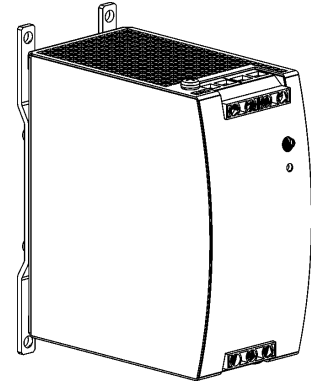
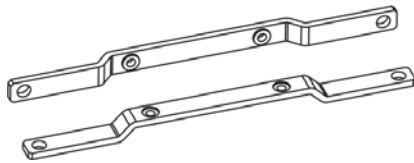
Fig. 20-2 **Side view**



21. ACCESSORIES

21.1. ZM1.WALL - WALL MOUNTING BRACKET

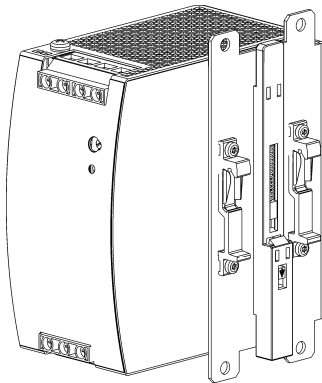
This bracket is used to mount the power supply onto a flat surface without utilizing a DIN-Rail.



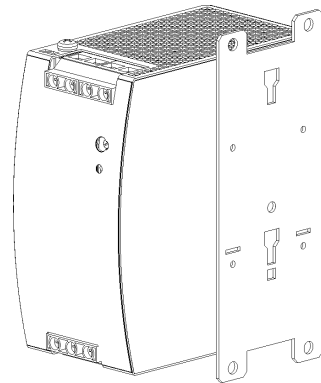
21.2. ZM13.SIDE - SIDE MOUNTING BRACKET

This bracket is used to mount DIMENSION units sideways with or without utilizing a DIN-Rail. The two aluminum brackets and the black plastic slider of the unit must be detached so that the steel brackets can be installed.

For sideway DIN-rail mounting, the removed aluminum brackets and the black plastic slider need to be mounted on the steel bracket.



Side mounting with DIN-rail brackets



Side mounting without DIN-rail brackets

21.3. REDUNDANCY MODULES

YRM2.DIODE – (2x 10A Inputs, 1x 20A output)



The YRM2.DIODE is a dual redundancy module, which can be used to build 1+1 and N+1 redundant systems. It is equipped with two input channels, which are individually decoupled by utilizing diodes.

The YRM2.DIODE does not require an additional auxiliary voltage and is self-powered even in case of a short circuit across the output.

The YRM2.DIODE has a monitoring circuit included and is the perfect solution when the power supply has no DC-OK function. Two LEDs and two relay contacts signal when one of the two DC-input voltages is not in range due to a non-functioning or disconnected power supply.

Due to the compact design, the unit is very slender and only requires 32mm width on the DIN-rail.

YR40.241 – (2x 20A input, 1x 40A output)

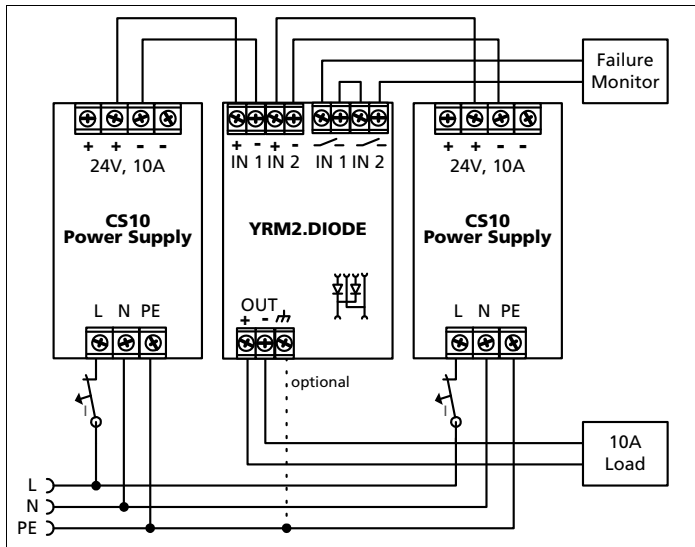


The YR40.241 is a dual redundancy module, which can be used to build redundant systems. It is equipped with two input channels, which are individually decoupled by utilizing MOSFET technology.

Using MOSFET instead of diodes reduces the heat generation and the voltage drop between input and output. The YR40.241 does not require an additional auxiliary voltage and is self-powered even in case of a short circuit across the output.

Due to the low power losses, the unit is very slender and only requires 36mm width on the DIN-rail.

Fig. 21-1 Typical 1+1 Redundant configuration for 10A load current



22. APPLICATION NOTES

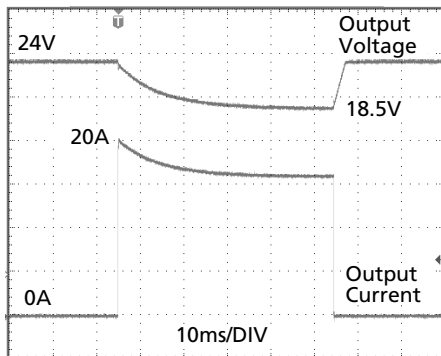
22.1. PEAK CURRENT CAPABILITY

The unit can deliver peak currents (up to several milliseconds) which are higher than the specified short term currents. This helps to start current demanding loads. Solenoids, contactors and pneumatic modules often have a steady state coil and a pick-up coil. The inrush current demand of the pick-up coil is several times higher than the steady-state current and usually exceeds the nominal output current (including the PowerBoost). The same situation applies when starting a capacitive load.

The peak current capability also ensures the safe operation of subsequent circuit breakers of load circuits. The load branches are often individually protected with circuit breakers or fuses. In case of a short or an overload in one branch circuit, the fuse or circuit breaker need a certain amount of over-current to open in a timely manner. This avoids voltage loss in adjacent circuits.

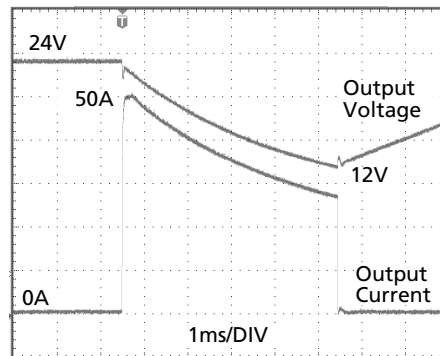
The extra current (peak current) is supplied by the power converter and the built-in large sized output capacitors of the power supply. The capacitors get discharged during such an event, which causes a voltage dip on the output. The following two examples show typical voltage dips:

Fig. 22-1 **Peak load with 2x the nominal current for 50ms, typ.**



20A Peak load (resistive) for 50ms
Output voltage dips from 24V to 18.5V.

Fig. 22-2 **Peak load with 5x the nominal current for 5ms, typ.**



50A Peak load (resistive) for 5ms
Output voltage dips from 24V to 12V.

| | | | |
|---------------------------|------|-------------------|---------------------------------|
| Peak current voltage dips | typ. | from 24V to 18.5V | at 20A for 50ms, resistive load |
| | typ. | from 24V to 17V | at 50A for 2ms, resistive load |
| | typ. | from 24V to 12V | at 50A for 5ms, resistive load |

22.2. BACK-FEEDING LOADS

Loads such as decelerating motors and inductors can feed voltage back to the power supply. This feature is also called return voltage immunity or resistance against Back- E.M.F. (Electro Magnetic Force).

This power supply is resistant and does not show malfunctioning when a load feeds back voltage to the power supply. It does not matter whether the power supply is on or off.

The maximum allowed feed-back-voltage is 35Vdc. The absorbing energy can be calculated according to the built-in large sized output capacitor which is specified in chapter 6.

22.3. EXTERNAL INPUT PROTECTION

The unit is tested and approved for branch circuits up to 20A. An external protection is only required if the supplying branch has an ampacity greater than this. Check also local codes and local requirements. In some countries local regulations might apply.

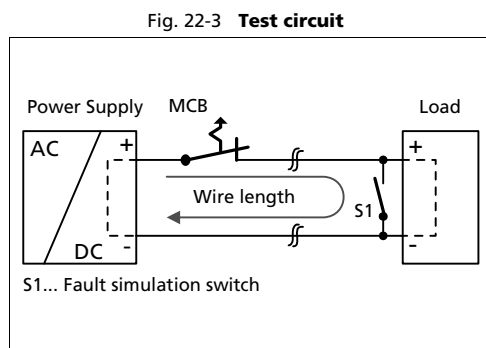
If an external fuse is necessary or utilized, minimum requirements need to be considered to avoid nuisance tripping of the circuit breaker. A minimum value of 10A B- or 6A C-Characteristic breaker should be used.

22.4. OUTPUT CIRCUIT BREAKERS

Standard miniature circuit breakers (MCB's or UL 1077 circuit breakers) are commonly used for AC-supply systems and may also be used on 24V branches.

MCB's are designed to protect wires and circuits. If the ampere value and the characteristics of the MCB are adapted to the wire size that is used, the wiring is considered as thermally safe regardless of whether the MCB opens or not.

To avoid voltage dips and under-voltage situations in adjacent 24V branches which are supplied by the same source, a fast (magnetic) tripping of the MCB is desired. A quick shutdown within 10ms is necessary corresponding roughly to the ride-through time of PLC's. This requires power supplies with high current reserves and large output capacitors. Furthermore, the impedance of the faulty branch must be sufficiently small in order for the current to actually flow. The best current reserve in the power supply does not help if Ohm's law does not permit current flow. The following table has typical test results showing which B- and C-Characteristic MCBs magnetically trip depending on the wire cross section and wire length.



Maximal wire length^{*)} for a fast (magnetic) tripping:

| | 0.75mm ² | 1.0mm ² | 1.5mm ² | 2.5mm ² |
|--------------|---------------------|--------------------|--------------------|--------------------|
| C-2A | 21m | 26m | 37m | 68m |
| C-3A | 15m | 21m | 30m | 51m |
| C-4A | 10m | 14m | 20m | 38m |
| C-6A | 4m | 6m | 9m | 16m |
| C-8A | 1m | 2m | 4m | 6m |
| C-10A | 1m | 2m | 3m | 4m |
| B-6A | 13m | 18m | 26m | 42m |
| B-10A | 10m | 5m | 9m | 11m |

*) Don't forget to consider twice the distance to the load (or cable length) when calculating the total wire length (+ and - wire).

22.5. PARALLEL USE TO INCREASE OUTPUT POWER

The power supply shall not be used in parallel to increase the output current.

22.6. PARALLEL USE FOR REDUNDANCY

Power supplies can be paralleled for redundancy to gain higher system availability. Redundant systems require a certain amount of extra power to support the load in case one power supply unit fails. The simplest way is to put two power supplies in parallel. This is called a 1+1 redundancy. In case one power supply unit fails, the other one is automatically able to support the load current without any interruption, see also chapter 22.5.

Please note: This simple way to build a redundant system does not cover failures such as an internal short circuit in the secondary side of the power supply. In such a case, the defective unit becomes a load for the other power supplies and the output voltage can no longer be maintained. This can be avoided by utilizing redundancy modules, which have decoupling devices (diodes or MOSFETs) included. Further information and wiring configurations can be found in chapter 21.3.

Recommendations for building redundant power systems:

- a) Use separate input fuses for each power supply.
- b) Monitor the individual power supply units.
Therefore, use the DC-OK relay contact of the YRM2.DIODE.
- c) It is desirable to set the output voltages of all units to the same value ($\pm 100\text{mV}$) or leave it at the factory setting.

22.7. SERIES OPERATION

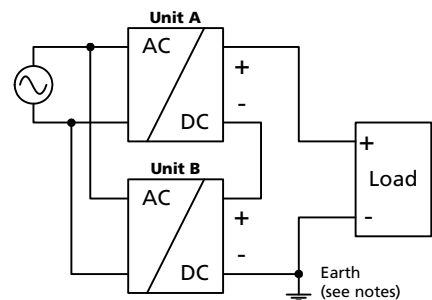
Power supplies of the same type can be connected in series for higher output voltages. It is possible to connect as many units in series as needed, providing the sum of the output voltage does not exceed 150Vdc. Voltages with a potential above 60Vdc are no longer SELV and can be dangerous. Such voltages must be installed with a protection against touching.

Earthing of the output is required when the sum of the output voltage is above 60Vdc.

Avoid return voltage (e.g. from a decelerating motor or battery) which is applied to the output terminals.

Keep an installation clearance of 15mm (left / right) between two power supplies and avoid installing the power supplies on top of each other. Do not use power supplies in series in mounting orientations other than the standard mounting orientation (input terminals on bottom of the unit).

Pay attention that leakage current, EMI, inrush current, harmonics will increase when using multiple power supplies.



22.8. INDUCTIVE AND CAPACITIVE LOADS

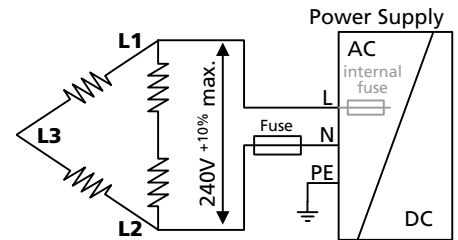
The unit is designed to supply any kind of loads, including capacitive and inductive loads.

22.9. CHARGING OF BATTERIES

The power supply shall not be used to charge batteries. Choose power supplies of the QS-Series or CP-Series for charging batteries.

22.10. OPERATION ON TWO PHASES

The power supply can also be used on two-phases of a three-phase-system. A phase-to-phase connection is allowed as long as the supplying voltage is below $240V^{+10\%}$.



22.11. USE IN A TIGHTLY SEALED ENCLOSURE

When the power supply is installed in a tightly sealed enclosure, the temperature inside the enclosure will be higher than outside. In such situations, the inside temperature defines the ambient temperature for the power supply.

The following measurement results can be used as a reference to estimate the temperature rise inside the enclosure.

The power supply is placed in the middle of the box, no other heat producing items are inside the box

| | |
|--------------------------------|---|
| Enclosure: | Rittal Typ IP66 Box PK 9519 100, plastic, 180x180x165mm |
| Load: | 24V, 8A; (=80%) load is placed outside the box |
| Input: | 230Vac |
| Temperature inside enclosure: | 51.7°C (in the middle of the right side of the power supply with a distance of 2cm) |
| Temperature outside enclosure: | 23.1°C |
| Temperature rise: | 28.6K |

22.12. MOUNTING ORIENTATIONS

Mounting orientations other than the input terminals on the bottom require a reduction in continuous output power or a limitation in the maximum allowed ambient temperature. The amount of reduction influences the lifetime expectancy of the power supply. Therefore, two different derating curves for continuous operation can be found below:

Curve A1
Curve A2

Recommended output current.

Max allowed output current (results in approximately half the lifetime expectancy of A1).

Fig. 22-4
Mounting Orientation A
(Standard orientation)

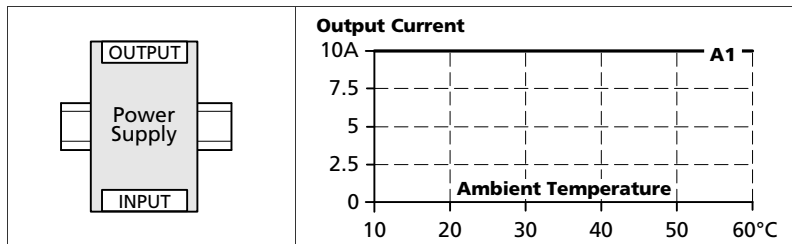


Fig. 22-5
Mounting Orientation B
(Upside down)

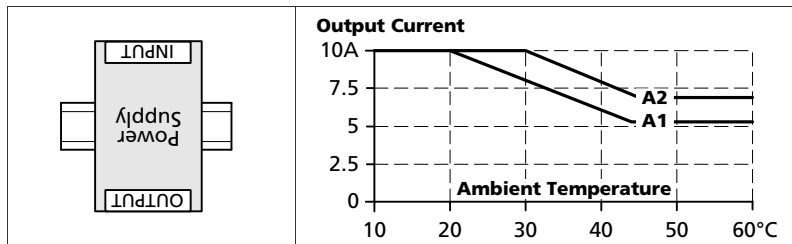


Fig. 22-6
Mounting Orientation C
(Table-top mounting)

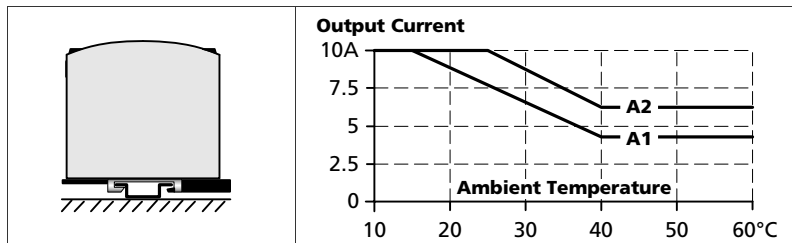


Fig. 22-7
Mounting Orientation D
(Horizontal cw)

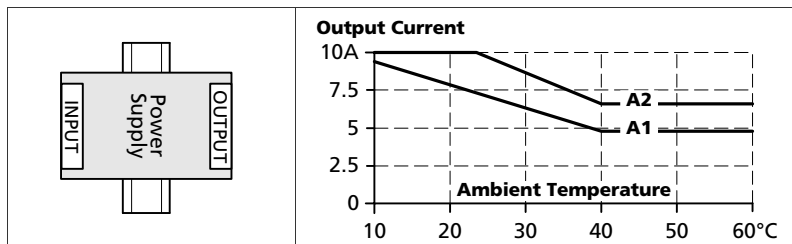


Fig. 22-8
Mounting Orientation E
(Horizontal ccw)

