

61

6320

Screw terminal blocks, pitch 3.5/5.0/10.0 mm



Miniature screw terminal block, with lift clamp without protection against misplacing, upright version, with test hole, stringable without loss of pitch

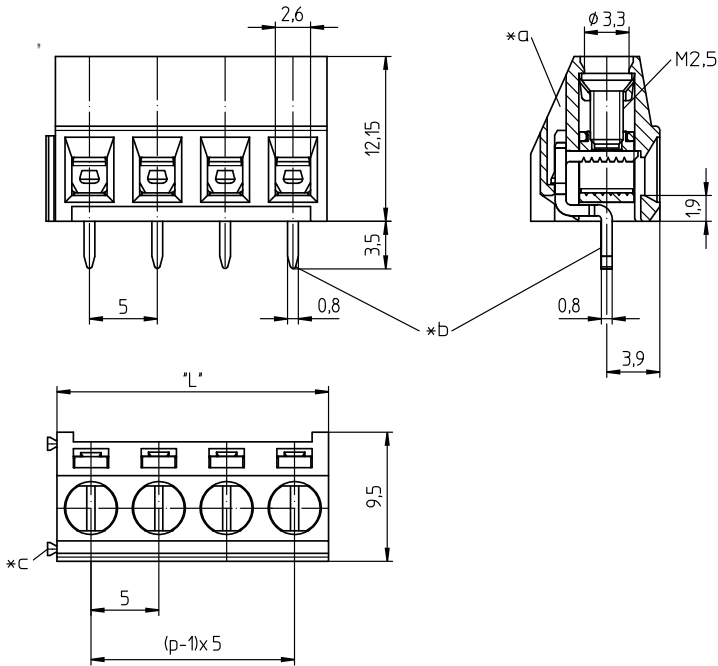
State: Active

Approvals:



61

6320



- *a hole for test spike \varnothing 1.3 mm
- *b bore hole of printed circuit board \varnothing 1.3 mm
- *c dovetail joint without loss of pitch

Environmental conditions

Temperature range -25 °C/+125 °C¹

¹ upper limit temperature (insulating body) RTI (electrical) of the UL Yellow Card

Materials

Insulating body	PA, V-2 according to UL94
Clamp	steel, zinc-plated and chromatiert
Wire protector	CuZn, pre-nickel and tin-plated
Screw	steel, zinc-plated and chromatiert

Mechanical data

Screw size	M2,5
Tightening torque screw	0,4 Nm

Connectable conductors for IDT area

Section min.	0,2 mm ² (AWG 24)
Section max.	2,5 mm ² (AWG 14)

Connectable conductors for screw clamp

Section stranded wire	0,2–2,5 mm ² AWG 24–14 (UL)/AWG 24–16 (CSA)
Section stranded wire with sleeve	0,2–1,5 mm ² (AWG 24–16)
Section solid wire	0,2–2,5 mm ² AWG 24–14 (UL)/AWG 24–16 (CSA)
Stripping length	7 ± 0,5 mm

Electrical data (at T_{amb} 20 °C)

Rated current	16 A (T _v 100 °C)
Rated voltage	630 V AC (IEC) 300 V AC (UL)/300 V-B (CSA)
Material group	I (IEC)/0 (UL) (CTI ≥ 600)
Creepage distance	3,6 mm
Clearance	3,4 mm
Insulation resistance	> 10 GΩ

61

6320

Designation	Pole Number	PU (Pieces)	MDQ (Pieces)	Dimensions L (mm)
6320 02	2	200	1000	10
6320 03	3	200	1000	15
6320 04	4	200	1000	20

Packaging:

in bulk, in a cardboard box