

General Description

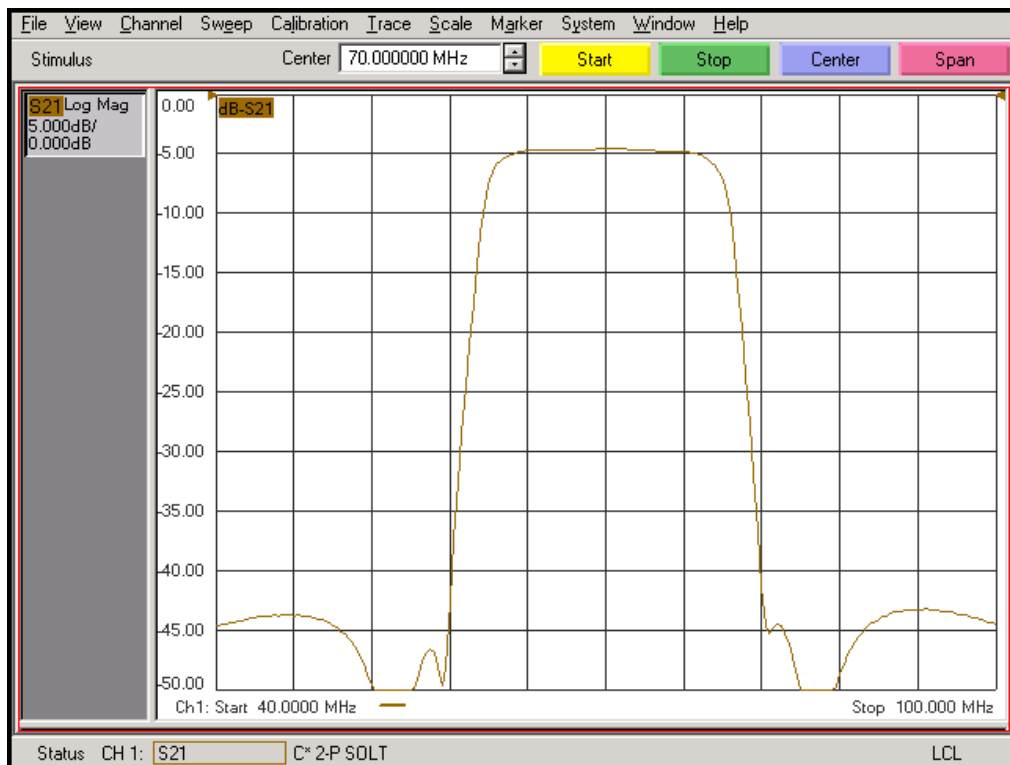
KR Electronics part number 2925-SMA is a 70 MHz bandpass filter. The filter has a minimum 1 dB bandwidth of 15 MHz. Other center frequencies and bandwidths are available. Please consult the factory.

Features

- 70 MHz Bandpass Filter
- 15 MHz min 1 dB Bandwidth
- Highly Selective Elliptic Type Filter
- Group Delay Equalized
- 50 Ω Source and Load
- SMA Connectors
- Also available in surface mount

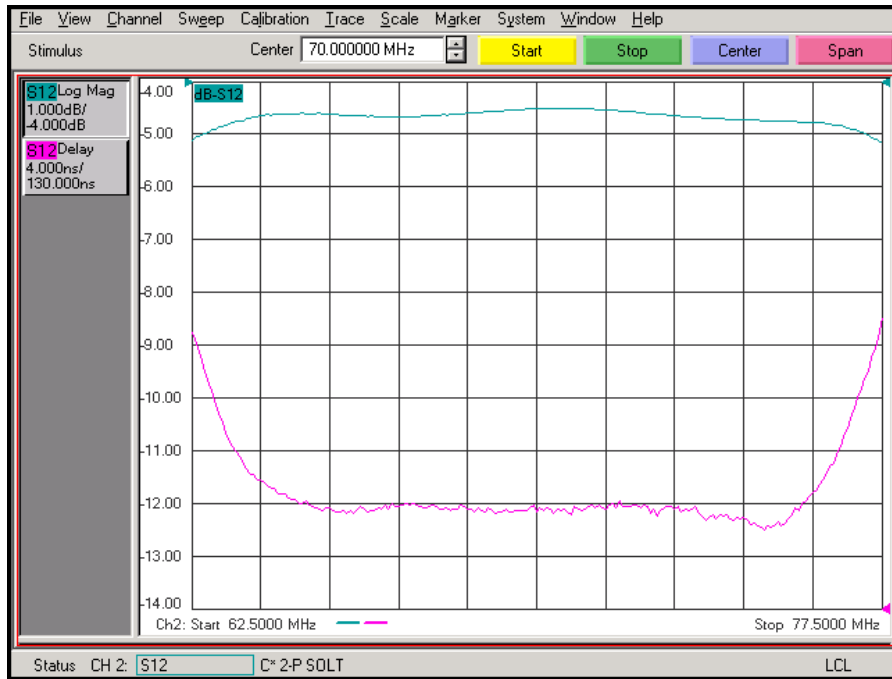
Typical Performance

Overall Response (10 dB/div)

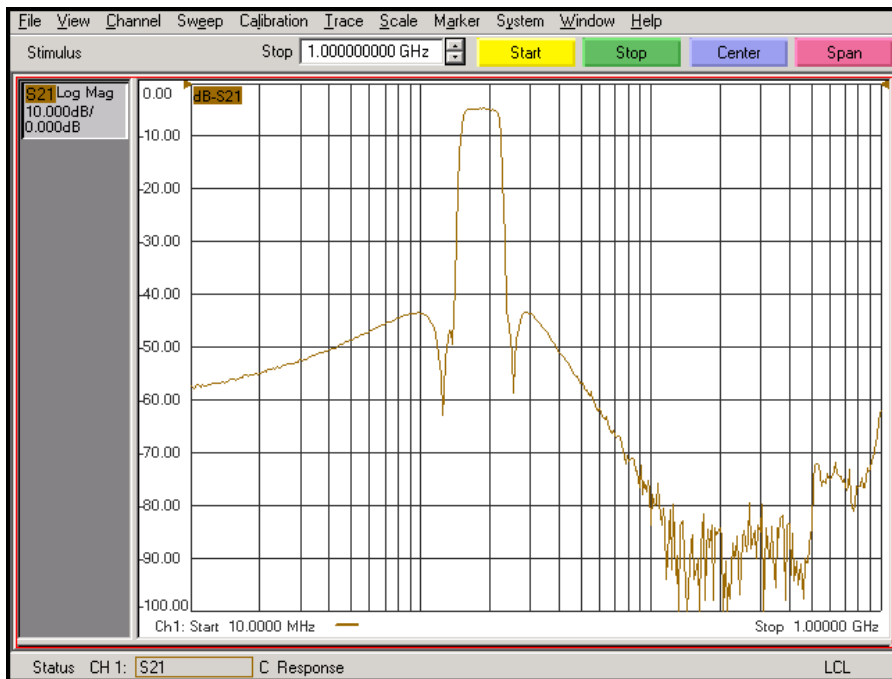


KR Electronics 2925-SMA

Passband Amplitude & Group Delay (1 dB/div & 4 nsec/div)



Overall Response (10 dB/div)



KR Electronics, Inc.
91 Avenel Street
Avenel, NJ 07001

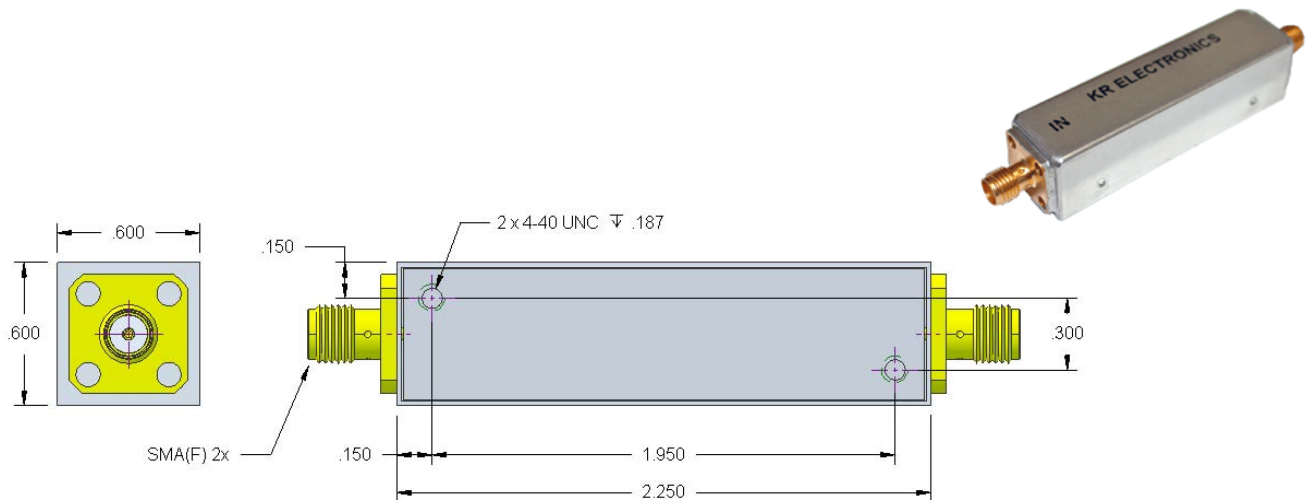
Web www.krfilters.com
Email sales@krfilters.com
Phone (732) 636-1900
Fax (732) 636-1982

KR Electronics 2925-SMA

Specifications

Parameter	Specification
Filter type	Bandpass
Center Frequency	70 MHz
Insertion Loss at Center Frequency	5 dB max
1 dB Bandwidth	15 MHz min
20 dB Bandwidth	23 MHz max
35 dB Bandwidth	25 MHz max
Group Delay Variation (64 MHz to 76 MHz)	8 nsec max < 4 nsec typical
Source and Load	50 Ω

Physical Dimensions



Notes:

1. Dimensions in inches
2. Rectangular case
3. Also available in surface mount package 1.5" x 0.5" x 0.3" (see part number 2925)

KR Electronics, Inc.
91 Avenel Street
Avenel, NJ 07001

Web www.krfilters.com
Email sales@krfilters.com
Phone (732) 636-1900
Fax (732) 636-1982