

51

2,54 RF

Direct connectors for insert cards, pitch 2.5/2.54/5.0/ 5.08 mm

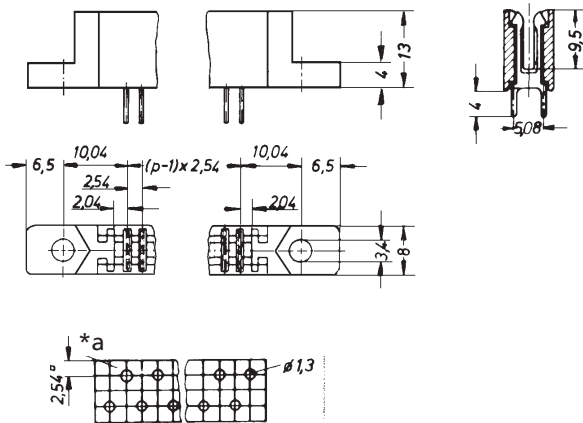


Socket board for direct mating, with mounted pair of flanges F, with solder pins

State: Phasing out

51

2,54 RF



*a printed circuit board layout, solder side view

Environmental conditions

Temperature range -25 °C/+100 °C

Materials

Insulating body PPO
Contact spring CuSn, pre-nickel and tin-plated
Flange PC

Mechanical data

Mating with Leiterplatte 1,5 ± 0,14 mm

Electrical data (at T_{amb} 20 °C)

Contact resistance ≤ 3 mΩ
Rated current 5 A
Rated voltage 250 V AC
Rated impulse voltage ≥ 1,5 kV

Associated products

Accessories

☞ FF

☞ SP 3

Designation	Pole Number	PU (Pieces)	MDQ (Pieces)
2,54 RF 03	3	200	5000
2,54 RF 04	4	200	5000
2,54 RF 05	5	200	5000
2,54 RF 06	6	200	5000
2,54 RF 07	7	200	5000
2,54 RF 08	8	200	5000
2,54 RF 09	9	200	5000
2,54 RF 10	10	200	5000
2,54 RF 11	11	200	5000
2,54 RF 12	12	200	5000
2,54 RF 13	13	200	5000
2,54 RF 14	14	200	5000
2,54 RF 15	15	200	5000
2,54 RF 16	16	200	5000
2,54 RF 17	17	200	5000
2,54 RF 18	18	200	5000
2,54 RF 19	19	200	5000
2,54 RF 20	20	200	5000
2,54 RF 21	21	200	5000
2,54 RF 22	22	200	5000
2,54 RF 23	23	200	5000
2,54 RF 24	24	200	5000
2,54 RF 25	25	200	5000
2,54 RF 26	26	200	5000
2,54 RF 27	27	200	5000
2,54 RF 28	28	200	5000
2,54 RF 29	29	200	5000
2,54 RF 30	30	200	5000
2,54 RF 31	31	200	5000
2,54 RF 32	32	200	5000
2,54 RF 33	33	200	5000
2,54 RF 34	34	200	5000
2,54 RF 35	35	200	5000
2,54 RF 36	36	200	5000
2,54 RF 37	37	200	5000
2,54 RF 38	38	200	5000

Designation	Pole Number	PU (Pieces)	MDQ (Pieces)
2,54 RF 39	39	200	5000
2,54 RF 40	40	200	5000
2,54 RF 41	41	200	5000
2,54 RF 42	42	200	5000
2,54 RF 43	43	200	5000
2,54 RF 44	44	200	5000
2,54 RF 45	45	200	5000
2,54 RF 46	46	200	5000
2,54 RF 47	47	200	5000
2,54 RF 48	48	200	5000
2,54 RF 49	49	200	5000
2,54 RF 50	50	200	5000
2,54 RF 51	51	200	5000
2,54 RF 52	52	200	5000
2,54 RF 53	53	200	5000
2,54 RF 54	54	200	5000
2,54 RF 55	55	200	5000
2,54 RF 56	56	200	5000
2,54 RF 57	57	200	5000
2,54 RF 58	58	200	5000
2,54 RF 59	59	200	5000
2,54 RF 60	60	200	5000
2,54 RF 61	61	200	5000

Packaging:

in bulk, in a cardboard box