

41

2,54 MKBL

Shorting links, pitch 2.5/2.54 mm



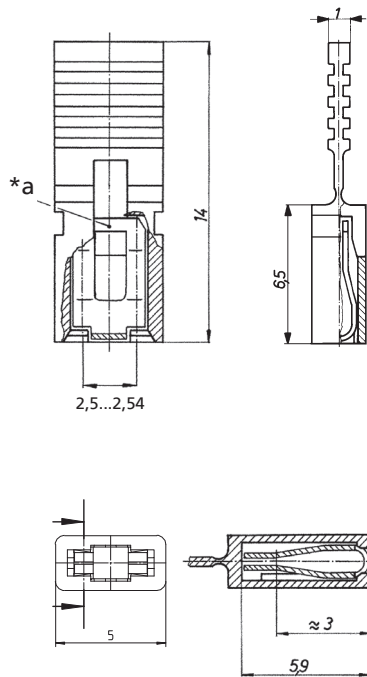
Shorting link, with test pick-up, with handle latch

---

State: Phasing out

---

41 2,54 MKBL



\*a test pick-up

**Environmental conditions**

Temperature range -25 °C/+100 °C

**Materials**

Insulating body PA, V-2 according to UL94  
Contact spring CuSn, tin-plated – 2,54 MKBL  
CuSn, pre-nickel and gold-plated – 2,54 MKBL/V

**Mechanical data**

Mating cycles  $\geq 25$  – 2,54 MKBL  
 $\geq 150$  – 2,54 MKBL/V<sup>1</sup>  
Insertion force  $\leq 5,0$  N – 2,54 MKBL  
 $\leq 4,0$  N – 2,54 MKBL/V<sup>2</sup>

Withdrawal force  $\geq 2,0$  N<sup>2</sup>

<sup>1</sup> measured with appropriate counterparts (tin-plated/gold-plated)

<sup>2</sup> measured with a polished steel pin, nominal thickness 0.64 mm x 0.64 mm

**Electrical data (at T<sub>amb</sub> 20 °C)**

Contact resistance  $\leq 10$  m $\Omega$  – 2,54 MKBL  
 $\leq 5$  m $\Omega$  – 2,54 MKBL/V

Rated current 2,5 A

Material group I (CTI  $\geq 600$ )

Insulation resistance  $> 1$  G $\Omega$

**Associated products**

Counterparts

☞ 2,5 MS	☞ 2,5 MSF	☞ 2,5 MSF/O
☞ 2,5 MSFQ	☞ 2,5 MSFQ/O	☞ 2,5 MSFW
☞ 2,5 MSFW/O	☞ 2,5 MSFWQ	☞ 2,5 MSFWQ/O
☞ 3850	☞ 3851	☞ 3852
☞ 3853	☞ 8385 A 01	

41

2,54 MKBL

Designation	Pole Number	PU (Pieces)	MDQ (Pieces)
2,54 MKBL	-	5000	5000
2,54 MKBL/V	-	5000	5000

**Packaging:**

in bulk, in a plastic bag, in a cardboard box