

THIS DRAWING IS UNPUBLISHED.

RELEASED FOR PUBLICATION

20

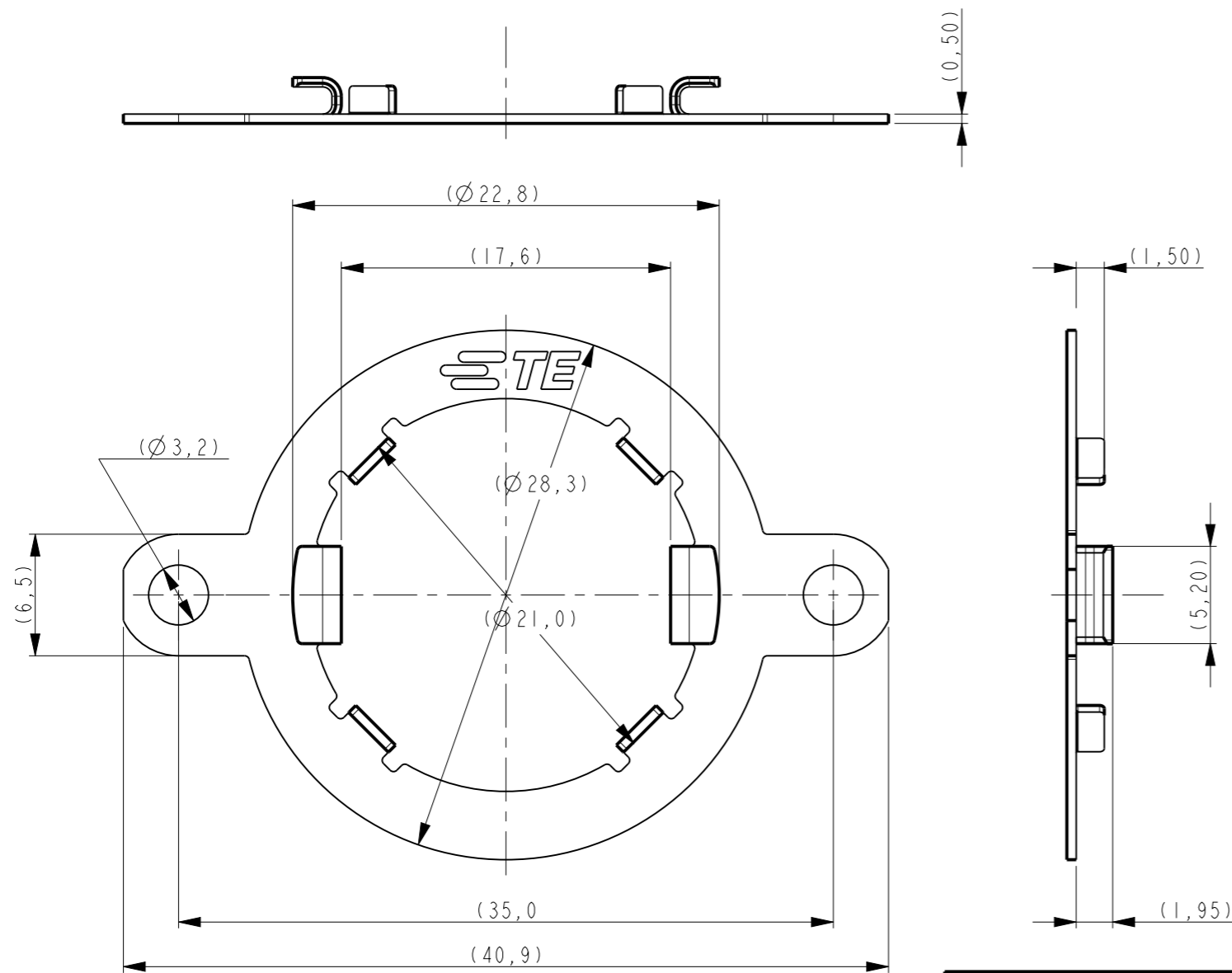
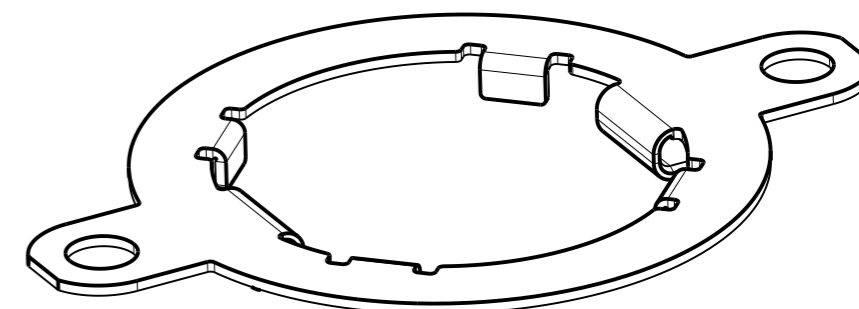
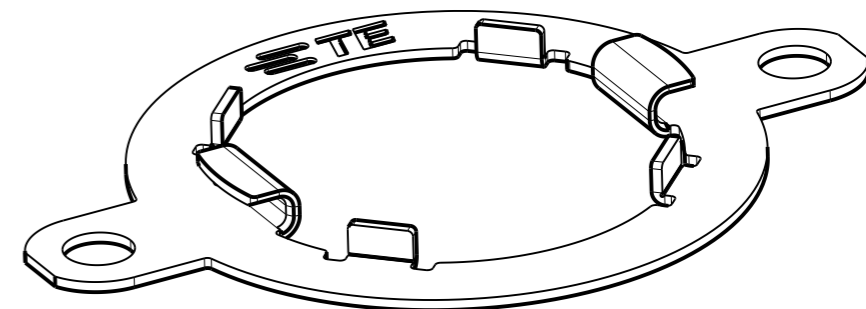
© COPYRIGHT 20 BY -

ALL RIGHTS RESERVED.


LOC	DIST	REVISIONS					
		P	LTR	DESCRIPTION	DATE	DWN	APVD
-	-		A	RELEASE PER ECO 13-014783	18SEP2013	PP	OL
			A1	REVISED PER ECR-14-000133	22JAN2014	YR	OL

NOTES:

1. MATERIAL: STAINLESS STEEL
2. MUST COMPLY WITH DIRECTIVE 2002/95/EC (RoHS)08 MAX.
3. TO BE USED INLINE WITH Z50 ZHAGA COVERS.
4. TO BE USED OPTIC INTERFACE, SEE SHEET 2.

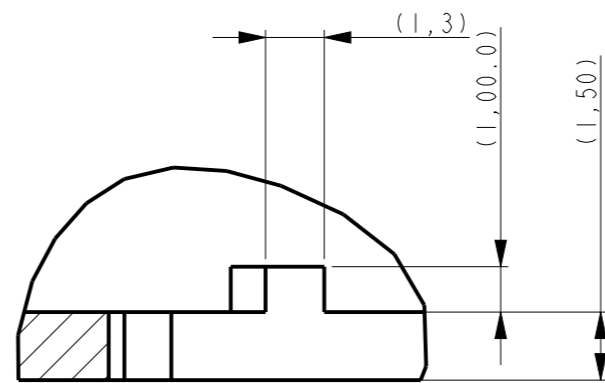
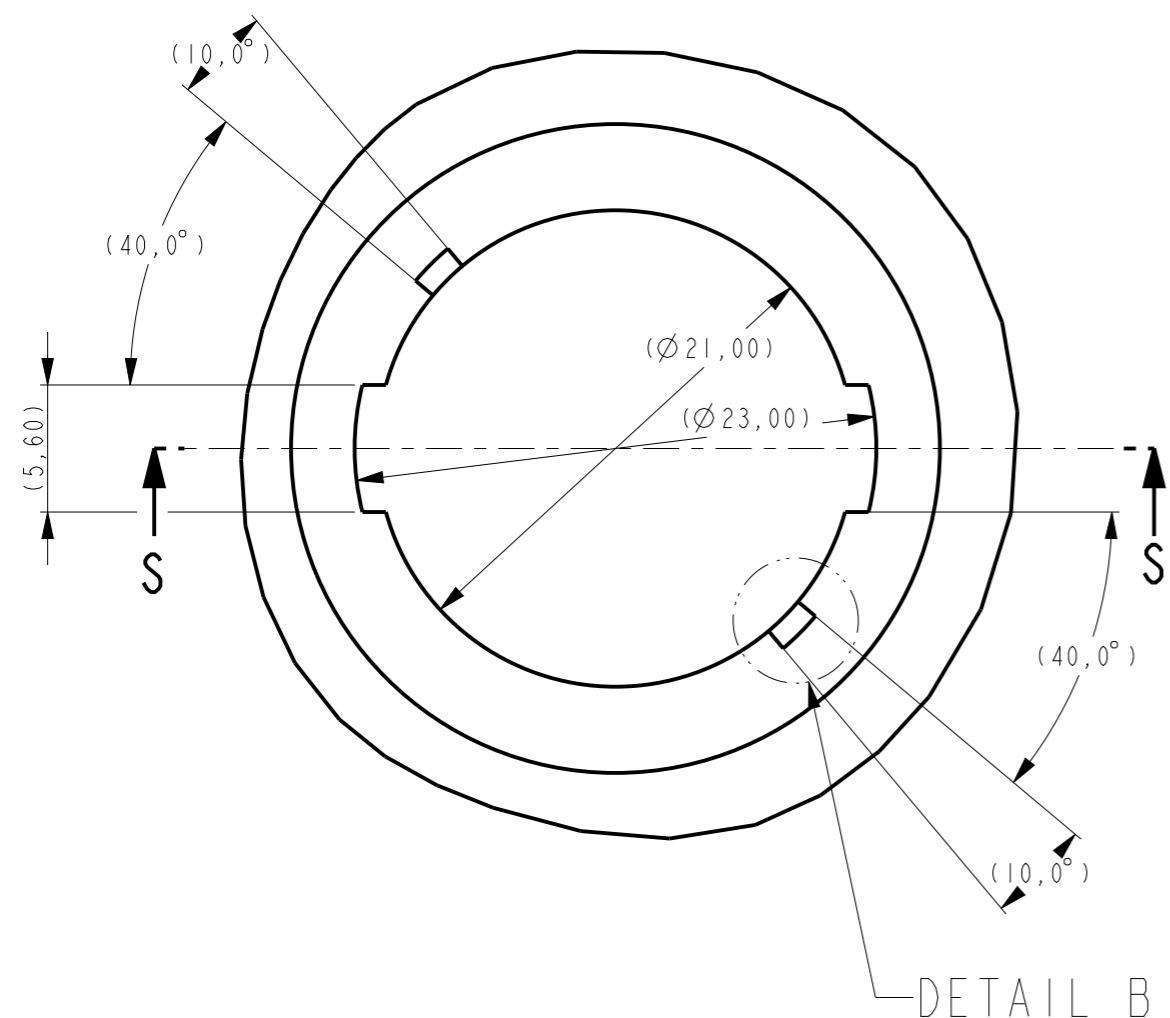


PART NUMBER
2213349-1

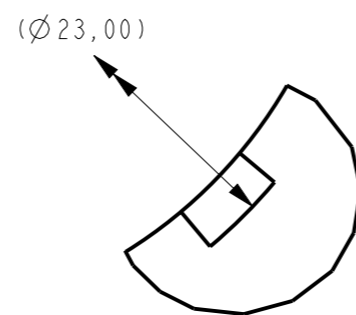
THIS DRAWING IS A CONTROLLED DOCUMENT.		DWN M.V.ESSEN 18JAN2013	 TE Connectivity				
DIMENSIONS: mm		CHK M.V.ESSEN 18JAN2013					
TOLERANCES UNLESS OTHERWISE SPECIFIED:		APVD O.I.FLJNSE 22JAN2013	NAME LUMAWISE LED HOLDER OPTIC CLIP Z50, TYPE 2				
0 PLC ±- 1 PLC ±- 2 PLC ±- 3 PLC ±- 4 PLC ±- ANGLES ±-		PRODUCT SPEC 108-133013	SIZE A3	CAGE CODE 00779	DRAWING NO C-2213349	RESTRICTED TO -	
MATERIAL -	FINISH -	APPLICATION SPEC 114-32105	SCALE 3:1		SHEET 1	OF 2	REV A1
		WEIGHT -	CUSTOMER DRAWING				

LOC	DIST	REVISIONS			
P	LTR	DESCRIPTION	DATE	DWN	APVD
-	-	SEE SHEET 1			

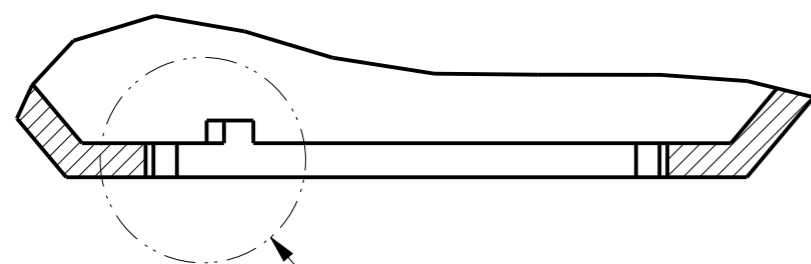
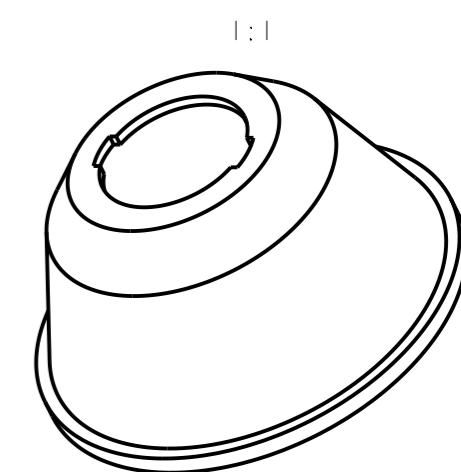
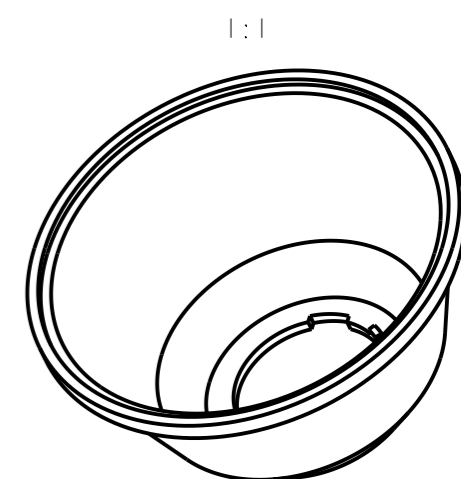
RECOMMENDED OPTIC INTERFACE




DETAIL A
6:1



DETAIL B
6:1



SECTION S-S
DETAIL A

THIS DRAWING IS A CONTROLLED DOCUMENT.		DWN M.V.ESSSEN 18JAN2013	 TE Connectivity		
DIMENSIONS: mm		CHK M.V.ESSSEN 18JAN2013			
TOLERANCES UNLESS OTHERWISE SPECIFIED:		APVD O.I.FLJNSE 22JAN2013	NAME LUMAWISE LED HOLDER OPTIC CLIP Z50, TYPE 2		
0 PLC ±- 1 PLC ±- 2 PLC ±- 3 PLC ±- 4 PLC ±- ANGLES ±-		PRODUCT SPEC 108-133013	SIZE A3	CAGE CODE 00779	DRAWING NO C-2213349
MATERIAL -		APPLICATION SPEC 114-32105	RESTRICTED TO -		
FINISH -		WEIGHT -	SCALE 3:1		
		CUSTOMER DRAWING	SHEET 2 OF 2		
			REV A1		