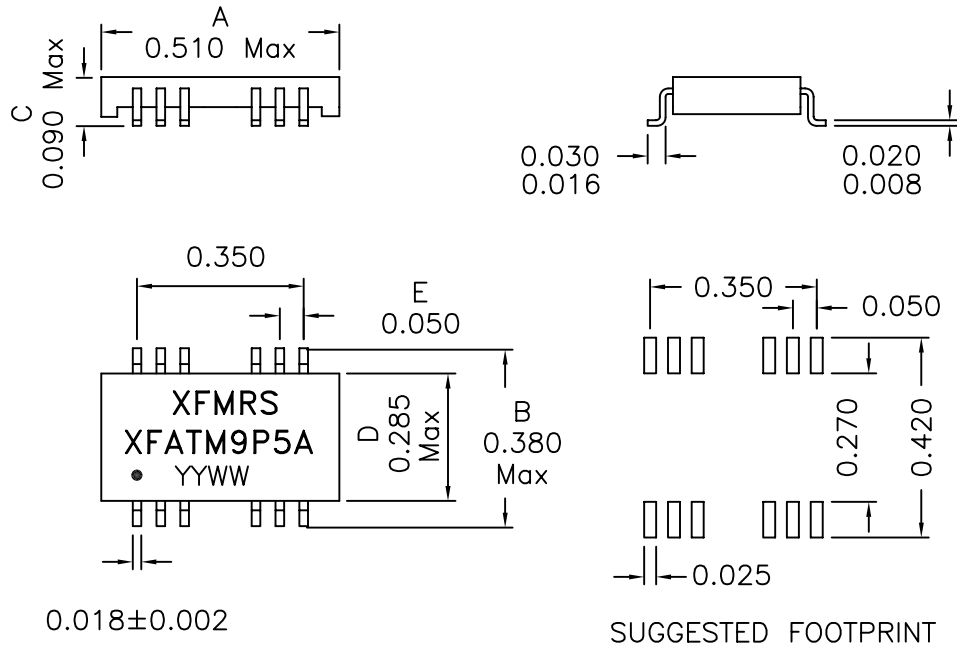
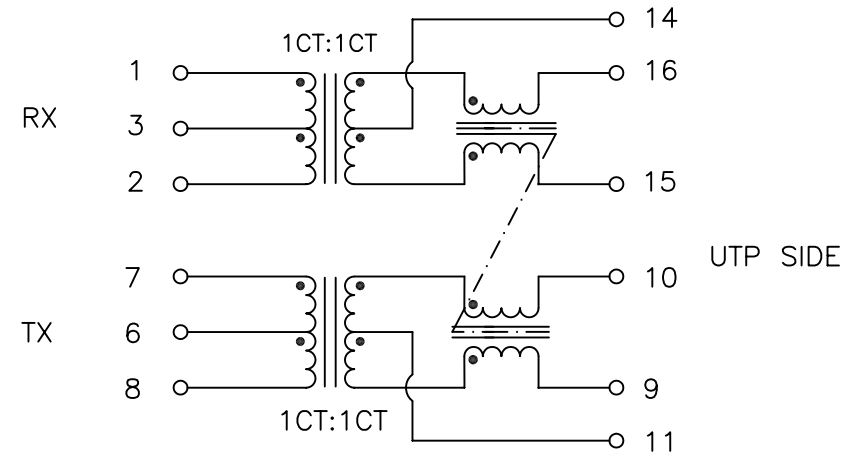


1. Dimensions:



2. Schematic:



3. Electrical Specifications: @25°C

UTP Impedance: 100 OHMS

Turns Ratio: TX : 1CT:1CT ±2% RX : 1CT:1CT ±2%

Isolation Voltage: 1500 VAC (Input to Output)

UTP Side OCL: 350uH Minimum @100KHz,100mV

Rise Time (10–90%): 2.0ns Typical

Insertion Loss (1–100MHz): –1.0dB Maximum

Return Loss(5–100MHz): –12dB Typical

CMRR (1MHz–100MHz): –40dB TYPICAL

Crosstalk Attenuation: –50dB Typ.

Notes:

- Solderability: Leads shall meet MIL–STD–202G, Method 208H for solderability.
- Flammability: UL94V–0
- ASTM oxygen index: > 28%
- Insulation System: Class F 155°C. UL file E151556
- Operating Temperature Range: All listed parameters are to be within tolerance from 0°C to +70°C
- Storage Temperature Range: –55°C to +125°C
- Aqueous wash compatible
- SMD Lead Coplanarity: ±0.004*(0.102mm)
- Electrical and mechanical specifications 100% tested
- RoHS Compliant Component

DOC. REV. A/1

XFMR5 Inc. www.XFMR5.com		Title: 10/100BASE–TX MAGNETICS	
UNLESS OTHERWISE SPECIFIED TOLERANCES: .xxx ±0.010 Inch Dimensions in Inch/mm		P/N: XFATM9P5A	REV. A
SCALE 2:1 SHT 1 OF 1		DWN.	Juan Mao Jan–21–09
		CHK.	YK Liao Jan–21–09
		APP.	BW Jan–21–09

PROPRIETARY

Document is the property of XFMR5 Group & is not allowed to be duplicated without authorization.