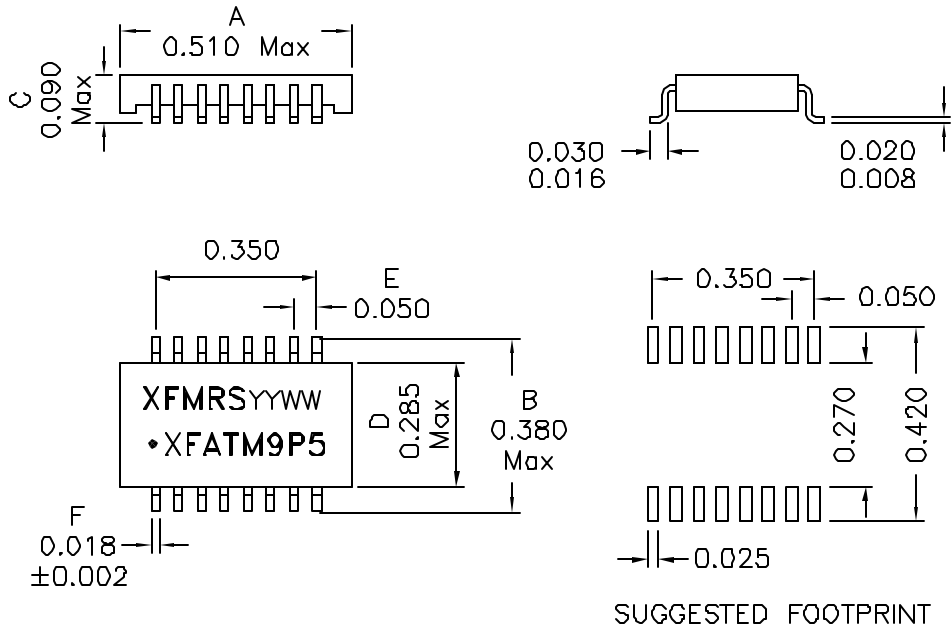


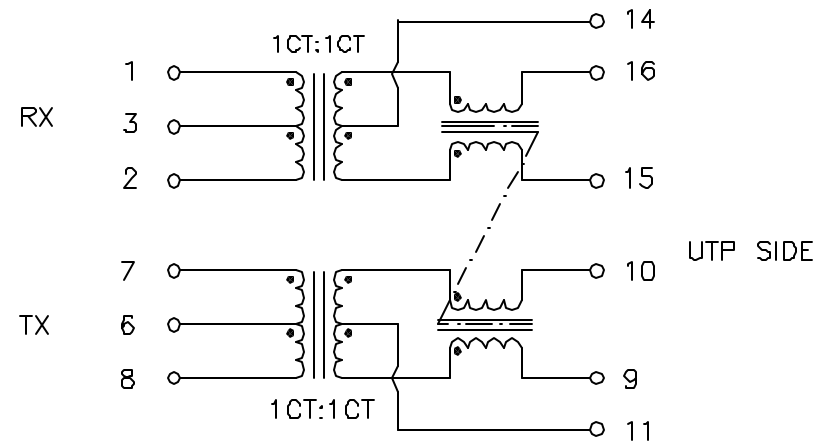
1. Dimensions:



Notes:

1. Solderability: Leads shall meet MIL-STD-202G, Method 20BH for solderability.
2. Flammability: UL94V-0
3. ASTM oxygen index: > 28%
4. Insulation System: Class F 155°C, UL file E151556
5. Operating Temperature Range: All listed parameters are to be within tolerance from 0°C to +70°C
6. Storage Temperature Range: -55°C to +125°C
7. Aqueous wash compatible
8. SMD Lead Coplanarity: ±0.004" (0.102mm)
9. Electrical and mechanical specifications 100% tested
10. RoHS Compliant Component

2. Schematic:



3. Electrical Specifications: @25°C

UTP Impedance: 100 OHMS

Turns Ratio: TX : 1CT:1CT ±2% RX : 1CT:1CT ±2%

Isolation Voltage: 1500 VAC (Input to Output)

UTP Side OCL: 350uH Minimum @100KHz,100mV

UTP Side Q: 18 Minimum @100KHz,100mV

Rise Time (10-90%): 2.0ns Typical

Insertion Loss (1-100MHz): -1.0dB Maximum

Return Loss(5-100MHz): -12dB Typical

CMRR (1MHz-100MHz): -40dB TYPICAL

Crosstalk Attenuation: -50dB Typ.

DOC. REV. A/5

PROPRIETARY Document is the property of XFMRS Group & is not allowed to be duplicated without authorization.

XFMRS Inc. www.XFMRS.com		Title: 10/100BASE-TX MAGNETICS	
UNLESS OTHERWISE SPECIFIED TOLERANCES: .xxx ±0.010 Inch Dimensions in Inch/mm		P/N: XFATM9P5	
		REV. A	
SCALE 2:1 SHT 1 OF 1		DWN.	Juan Mao
		CHK.	YK Liao
		APP.	Joe Huff
			Mar-05-10
			Mar-05-10
			Mar-05-10