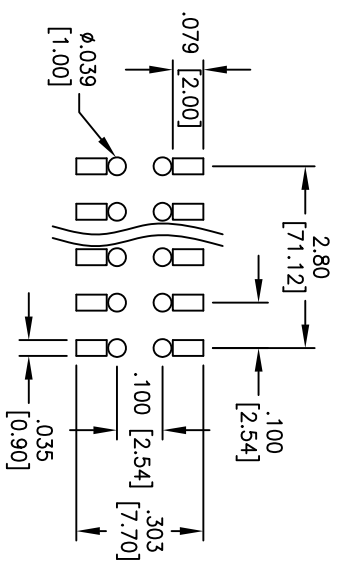
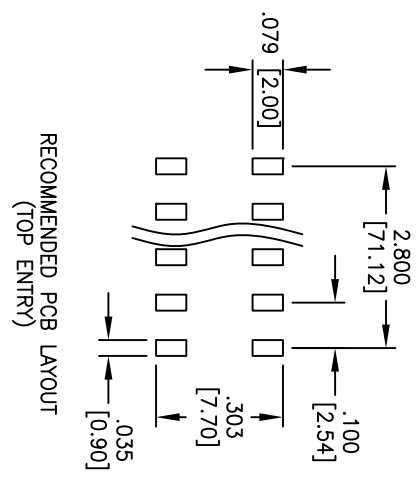
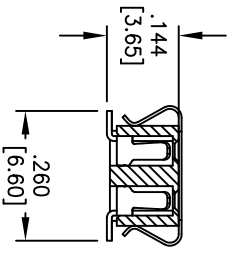
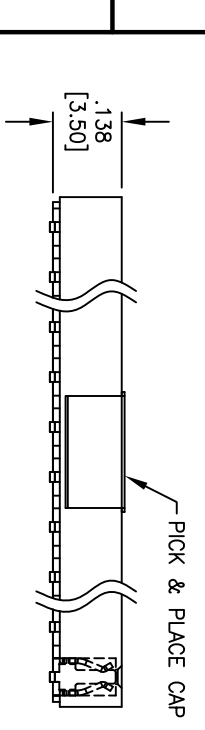
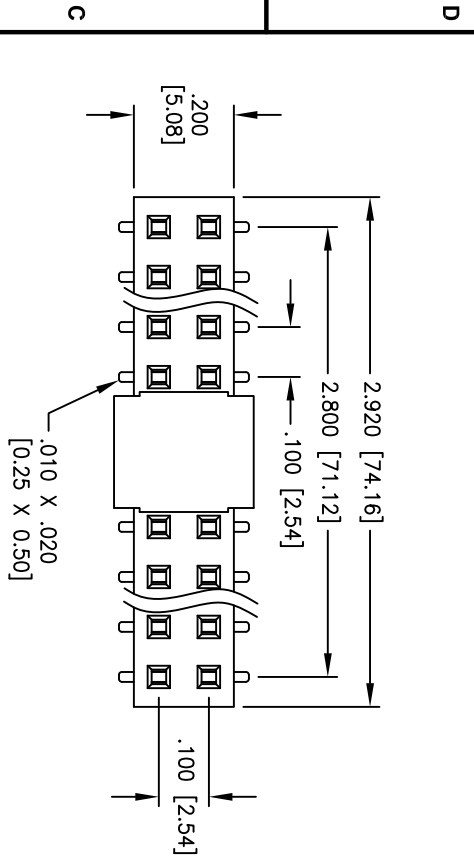


APPROVED: _____
 DATE: _____ TITLE: _____

Rev	AWO #	Description	Date	Appr
-		RELEASED	6/11/08	
A		REVISED DIM.	6/29/11	



SPECIFICATIONS:
 Material: Insulator: Nylon 6T, Glass reinforced, rated UL 94V-0
 Insulator color: Black
 Contacts: Phosphor Bronze
 Plating: Gold flash over Nickel underplate on contact area, Tin over Copper underplate on tails.
 Electrical: Current rating: 1 Amps max.
 Contact resistance: 20 mohms max. initial
 Insulation resistance: 1,000 Mohms min.
 Dielectric withstanding voltage: 600 VAC for 1 minute
 Temperature Rating: Operating temperature: -40°C to +105°C
 Environmental: Lead free, RoHS compliant.
 Recommended soldering temp: 260°C for 5 sec.

PACKAGED ON TAPE & REEL



UNLESS OTHERWISE SPECIFIED ALL DIMENSIONS ARE INCHES [MM] TOLERANCES: EXCEPT AS NOTED INCHES	
X	± .10
.XX	± .020
.XXX	± .015
.XXXX	± .010
APPROVALS	DATE
DRAWN	SS
CHECKED	
APPROVED	

ADAM TECH	
909 Rahway Avenue, Union, NJ 07083	
Phone: 908-687-5000 Fax: 908-687-5710	
TITLE: RECEPTACLE STRIP, VERY LOW PROFILE, DUAL ROW, SURFACE MOUNT, TAPE & REEL	
SIZE	PART NO.
X	RSVL-2A-58-SG-SMT-PP-T/R
SCALE: NTS	SHEET 1 OF 1