



## PU3H96-000000000

Device columns with external grooves

**MIRROR COLUMNS AND DEVICE COLUMNS**

**SICK**  
Sensor Intelligence.



### Ordering information

Type	Part no.
PU3H96-00000000	2045490

Other models and accessories → [www.sick.com/Device\\_columns\\_with\\_external\\_grooves](http://www.sick.com/Device_columns_with_external_grooves)

### Detailed technical data

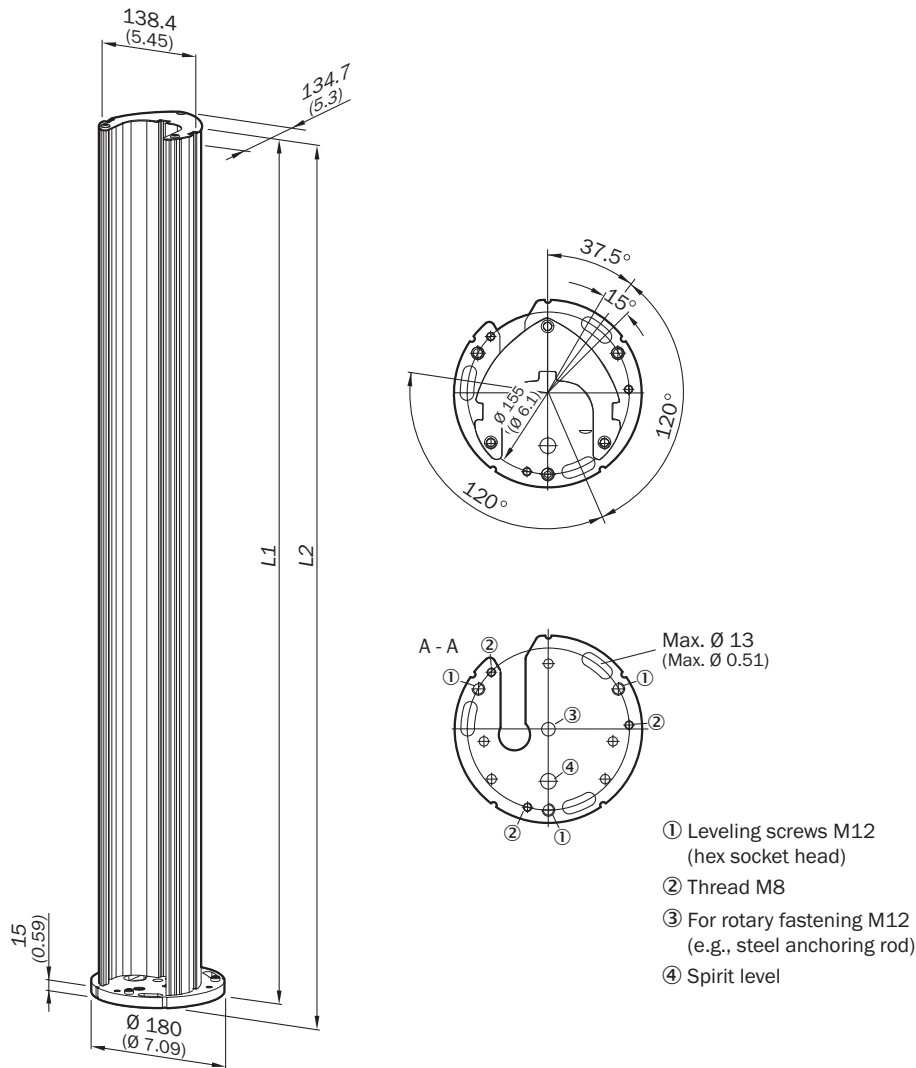
#### Features

<b>Model</b>	Device columns with two external mounting grooves
<b>Suitable for</b>	Safety light curtains Multiple light beam safety devices
<b>Suitable for protective field height</b>	
C2000, C4000, M4000 Curtain	≤ 600 mm
deTec2, deTec4	≤ 900 mm
<b>Suitable for number of beams</b>	Any
<b>Suitable for beam separation</b>	Any

#### Mechanical data

<b>Column height</b>	985 mm
<b>Max. installation length</b>	965 mm
<b>Dimensional drawing</b>	
L1	965 mm
L2	985 mm
<b>Weight</b>	6,107 g

Dimensional drawing (Dimensions in mm (inch))



- ① Leveling screws M12 (hex socket head)
- ② Thread M8
- ③ For rotary fastening M12 (e.g., steel anchoring rod)
- ④ Spirit level

Suitable for protective field height		Suitable for number of beams	L1	L2	Part no.
C2000, C4000, M4000 Curtain	deTec2, deTec4				
≤ 600 (23.62)	≤ 900 (35.43)	2	965 (37.99)	985 (38.78)	2045490
≤ 900 (35.43)	≤ 1,050 (41.34)	3	1,165 (45.87)	1,185 (46.65)	2045641
≤ 1,050 (41.34)	≤ 1,200 (47.24)	4	1,265 (49.80)	1,285 (50.59)	2045642
≤ 1,350 (53.15)	≤ 1,500 (59.06)	Any	1,550 (61.02)	1,570 (61.81)	2068813
≤ 1,350 (53.15)	≤ 1,650 (64.96)	Any	1,720 (67.72)	1,740 (68.50)	2045643
≤ 1,650 (64.96)	≤ 1,950 (76.77)	Any	2,020 (79.53)	2,040 (80.31)	2045644
≤ 1,800 (70.87)	≤ 2,100 (82.68)	Any	2,250 (88.58)	2,270 (89.37)	2045645
≤ 1,800 (70.87)	≤ 2,100 (82.68)	Any	2,400 (94.49)	2,420 (95.28)	2045646

## SICK AT A GLANCE

SICK is one of the leading manufacturers of intelligent sensors and sensor solutions for industrial applications. A unique range of products and services creates the perfect basis for controlling processes securely and efficiently, protecting individuals from accidents and preventing damage to the environment.

We have extensive experience in a wide range of industries and understand their processes and requirements. With intelligent sensors, we can deliver exactly what our customers need. In application centers in Europe, Asia and North America, system solutions are tested and optimized in accordance with customer specifications. All this makes us a reliable supplier and development partner.

Comprehensive services complete our offering: SICK LifeTime Services provide support throughout the machine life cycle and ensure safety and productivity.

For us, that is “Sensor Intelligence.”

## WORLDWIDE PRESENCE:

Contacts and other locations –[www.sick.com](http://www.sick.com)