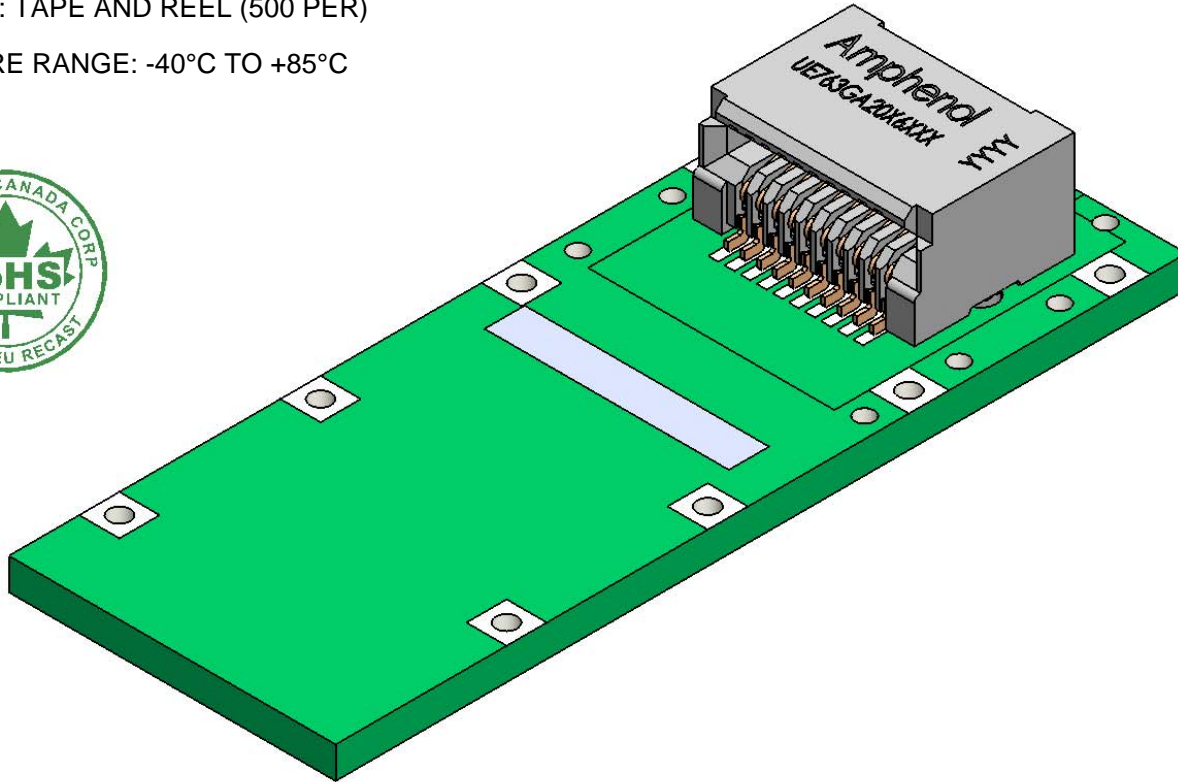


MATERIAL:

CONNECTOR - SMT
 PLASTIC HOUSING:
 LCP, FLAMMABILITY RATING UL94-V0
 CONTACT:
 PHOSPHOR BRONZE
 PLATING: SEE AMPHENOL PART
 NUMBER

PACKAGING: TAPE AND REEL (500 PER)

TEMPERATURE RANGE: -40°C TO +85°C



REVISIONS

REV.	ECN	DESCRIPTION	DATE	APPROVED
A		PRELIMINARY	X	
B		PRELIMINARY STAMP REMOVED	OCT24/14	
C		UPDATED	NOV11/14	

AMPHENOL PART NUMBER CONFIGURATION

UE76 - 3GA 20 - X 6 0 0 T

PACKAGING

T = TAPE AND REEL PACKAGING

PLATING

- 2 = 0.76um GOLD AT MATING AREA
GOLD FLASH IN TERMINATION
- 3 = 0.76um GOLD AT MATING AREA
3.0-7.62um MATTE TIN IN
TERMINATION
- 5 = 0.38um GOLD AT MATING AREA
GOLD FLASH IN TERMINATION
- 6 = 0.38um GOLD AT MATING AREA
3.0-7.62um MATTE TIN IN
TERMINATION

DO NOT SCALE DRAWING

THIS DOCUMENT CONTAINS PROPRIETARY INFORMATION AND SUCH INFORMATION MAY NOT BE DISCLOSED TO OTHERS FOR ANY PURPOSE OR USED FOR MANUFACTURING PURPOSES WITHOUT PERMISSION FROM AMPHENOL CANADA CORP.

UNLESS OTHERWISE SPECIFIED DIMENSIONS ARE IN MILLIMETERS TOLERANCES ARE:		APPROVALS		DATE	Amphenol High Speed Interconnects A Division of Amphenol Corp. www.amphenol-highspeed.com
DECIMALS	ANGLES	DRAWN	J.SI	JUL19/13	
X.X ± 0.25	± 1°	DESIGNED			TITLE
X.XX ± 0.15		CHECKED			1X1 ULTRAPORT SFP CONNECTOR (25/32G)
MATERIAL AND FINISH	SEE NOTES	QA APPD			SIZE
REF.	X	IE APPD			A4
CODE IDENT. NO.	03554	DWG APPD			DWG. NO.
					P-UE76-3GA20-X600T
					SCALE
					4:1
					PROJECT
					SHEET
					1 OF 3
					REV. C

A

B

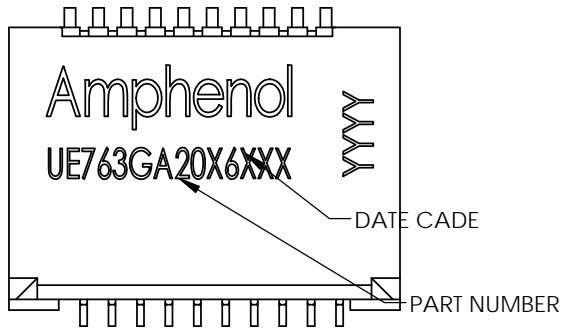
C

D

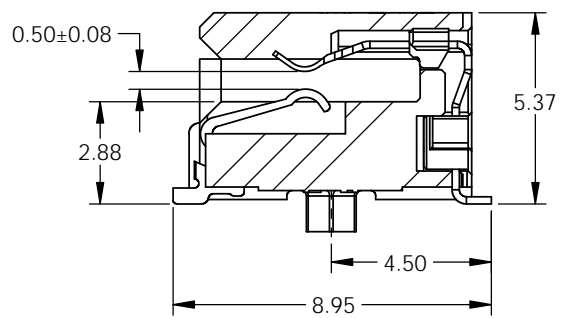
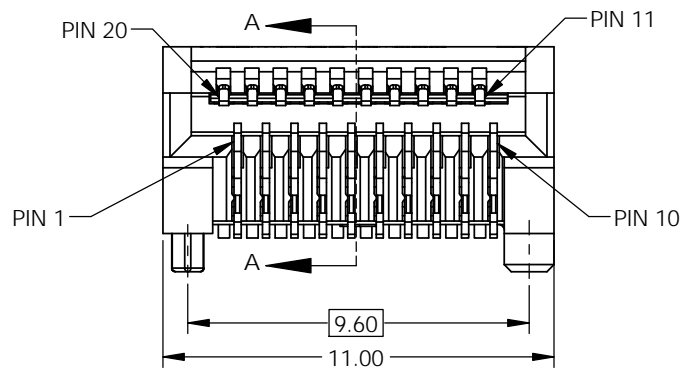
A

B

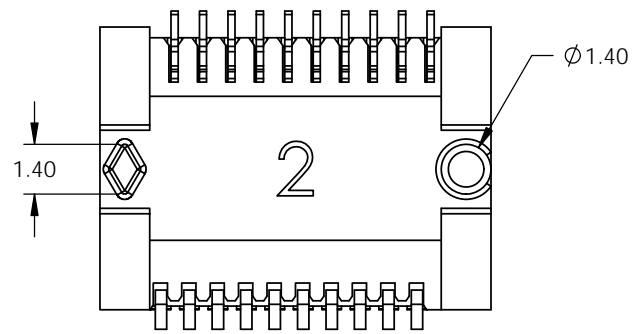
C



REVISIONS				
REV.	ECN	DESCRIPTION	DATE	APPROVED
A		PRELIMINARY	X	
B		PRELIMINARY STAMP REMOVED	OCT24/14	
C		UPDATED	NOV11/14	



SECTION A-A



DO NOT SCALE DRAWING

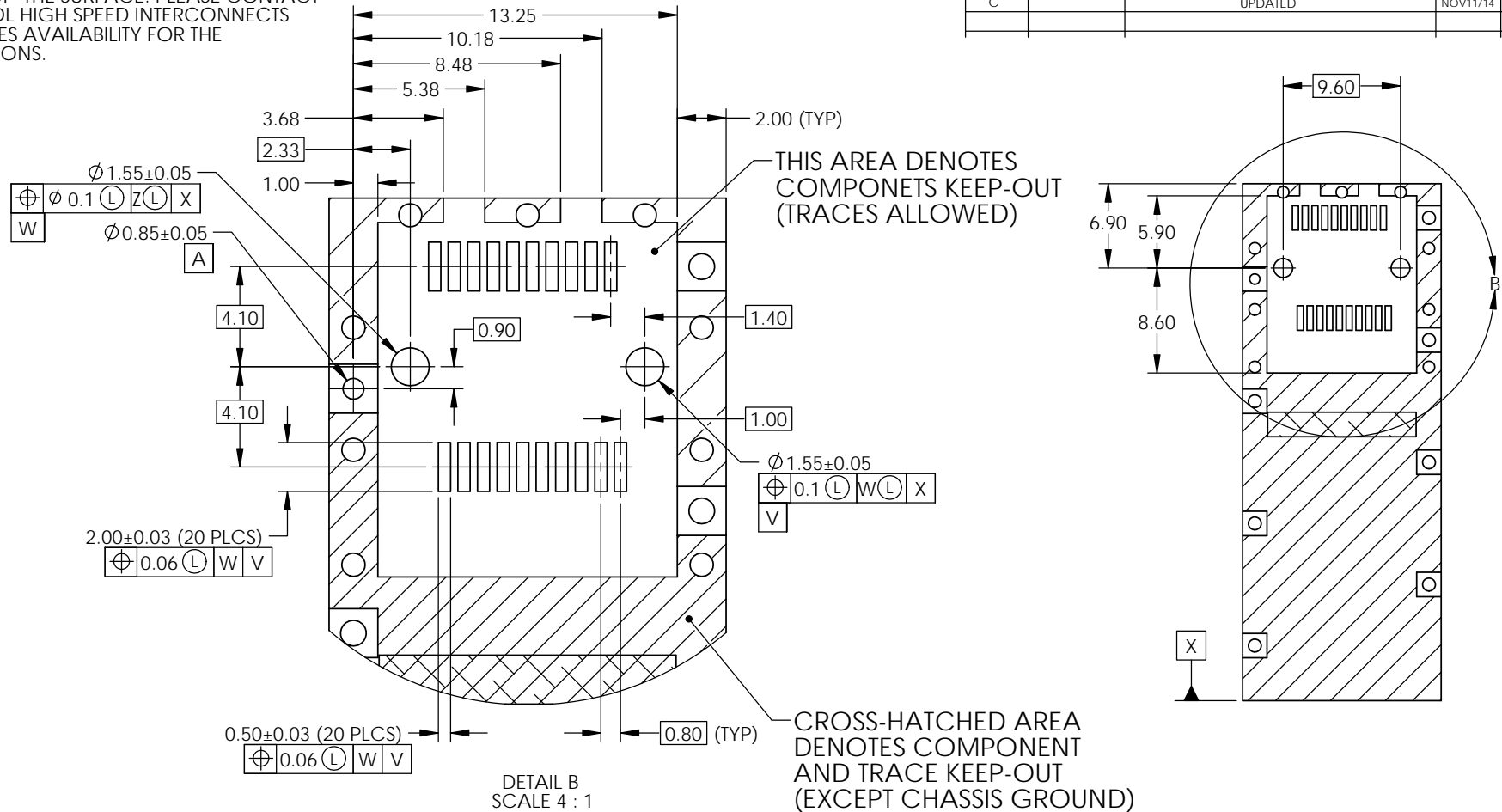
THIS DOCUMENT CONTAINS PROPRIETARY INFORMATION AND SUCH INFORMATION MAY NOT BE DISCLOSED TO OTHERS FOR ANY PURPOSE OR USED FOR MANUFACTURING PURPOSES WITHOUT PERMISSION FROM AMPHENOL CANADA CORP.

UNLESS OTHERWISE SPECIFIED DIMENSIONS ARE IN MILLIMETERS TOLERANCES ARE:		APPROVALS		DATE	Amphenol High Speed Interconnects A Division of Amphenol Corp. www.amphenol-highspeed.com	
DECIMALS	ANGLES	DRAWN	J.SI	JUL19/13	TITLE 1X1 ULTRAPORT SFP CONNECTOR (25/32G)	
X.X ± 0.25	± 1°	DESIGNED				
X.XX ± 0.15		CHECKED				
MATERIAL AND FINISH		QA APPD				
SEE NOTES		IE APPD			SIZE A4	DWG. NO. P-UE76-3GA20-X600T
REF.	X	DWG APPD			SCALE 5:1	PROJECT
CODE IDENT. NO.	03554				SHEET	2 OF 3

NOTE:

SOME OF ULTRAPORT CAGES PCB LAYOUT NOT ALLOWED HAVING SIGNAL TRACES ON THE TOP OF THE SURFACE. PLEASE CONTACT AMPHENOL HIGH SPEED INTERCONNECTS FOR CAGES AVAILABILITY FOR THE APPLICATIONS.

REVISIONS				
REV.	ECN	DESCRIPTION	DATE	APPROVED
A		PRELIMINARY	X	
B		PRELIMINARY STAMP REMOVED	OCT24/14	
C		UPDATED	NOV11/14	



DO NOT SCALE DRAWING

THIS DOCUMENT CONTAINS PROPRIETARY INFORMATION AND SUCH INFORMATION MAY NOT BE DISCLOSED TO OTHERS FOR ANY PURPOSE OR USED FOR MANUFACTURING PURPOSES WITHOUT PERMISSION FROM AMPHENOL CANADA CORP.

UNLESS OTHERWISE SPECIFIED DIMENSIONS ARE IN MILLIMETERS TOLERANCES ARE:		APPROVALS		DATE	Amphenol High Speed Interconnects A Division of Amphenol Corp. www.amphenol-highspeed.com	
DECIMALS	ANGLES	DRAWN	J.SI	JUL19/13	TITLE	
X.X ± 0.25	± 1°	DESIGNED			1X1 ULTRAPORT SFP CONNECTOR (25/32G)	
X.XX ± 0.15		CHECKED			SIZE A4 DWG. NO. P-UE76-3GA20-X600T REV. C	
MATERIAL AND FINISH	SEE NOTES	QA APPD			SCALE 2:1	PROJECT
REF. X		IE APPD			SHEET 3 OF 3	
CODE IDENT. NO. 03554		DWG APPD				