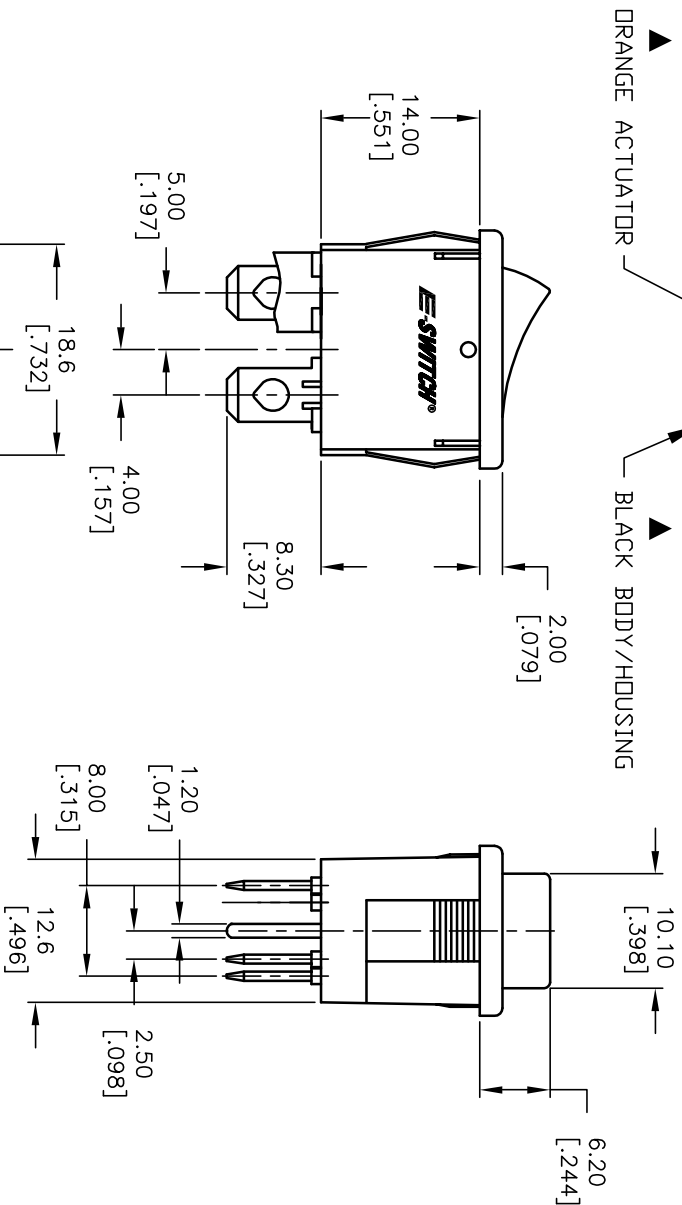
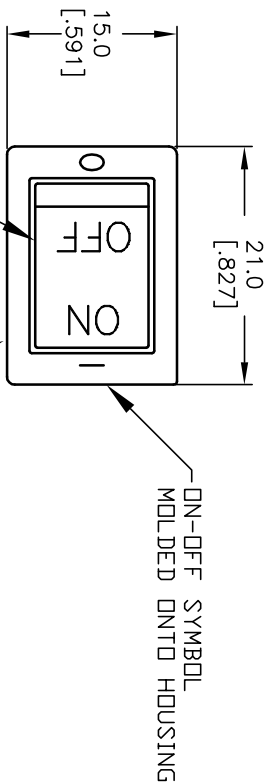
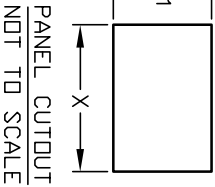
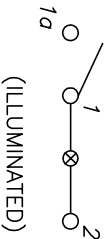


NEON BULB

| PARAMETERS | SYMBOL | MAX. | UNITS |
|--------------------------|----------------|------|-------|
| LAMP VOLTAGE (AC) | V | 125 | V |
| STARTUP VOLTAGE | V _s | 85 | V |
| CURRENT | I | 0.8 | mA |
| SERIES RESISTANCE (125V) | R | 68 | OHMS |

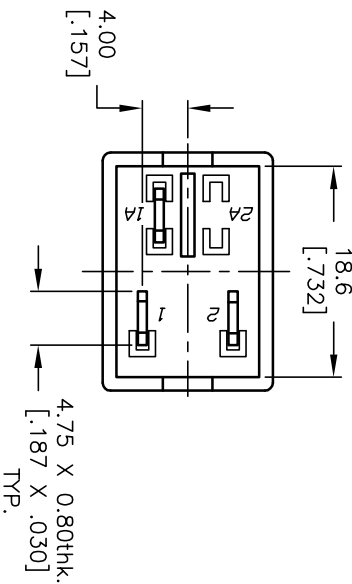


| PANEL THICKNESS | X dimension |
|-----------------------|------------------|
| 0.75-1.25 [0.30-0.49] | 19.2-0.1 [0.756] |
| 1.25-2.0 [0.49-0.79] | 19.4-0.1 [0.764] |
| 2.0-3.0 [0.79-1.18] | 19.8-0.1 [0.780] |



NOTES:

- ALL DIMENSIONS IN MM [INCH]
- GENERAL TOLERANCE: X,X=±0.4
X:XX=±0.25
- RATING: 6A @250VAC; 9A @125VAC (UL, CSA, VDE)
4(1)A @250VAC
- LAMP VOLTAGE: 125V (NEON BULB)
- MATERIAL:
CONTACT SURFACE: Coin Silver, Silver Plate
TERMINAL: Copper Alloy w/ Silver Plate.
- CONTACT RESISTANCE: 20mILLOHMS TYP. INITIAL
- INSULATION RESISTANCE: 1000MegaOHMS
- DIELECTRIC STRENGTH:
>1500V RMS min. @SEA LEVEL
>3000V RMS @SEA LEVEL
- MECHANICAL LIFE: 50,000 CYCLES.
- ELECTRICAL LIFE: 10,000 CYCLES.
- ▲ DENOTES CRITICAL PARAMETER.



| | | | | |
|------|---------|-------------------------|--------|------|
| REV. | ECN No. | DESCRIPTION | DATE | CHKD |
| A | 13339 | RELEASED FOR PRODUCTION | 8/1/03 | AR |

| | | | | | |
|-----------------|-------|--------|----|---------|-----|
| TITLE | SCALE | DATE | DR | DWG | REV |
| R1973ABLKORG1F1 | 1.5:1 | 8/1/03 | AR | M400074 | A |



THE INFORMATION CONTAINED IN THIS DOCUMENT IS PROPRIETARY TO E-SWITCH AND IS NOT TO BE COPIED OR TRANSFERRED