

D2SB05A_{THRU} D2SB100A



SINGLE PHASE 2.0 AMP BRIDGE RECTIFIERS

Features

- ✧ Glass passivated chip junction
- ✧ Ideal for printed circuit board
- ✧ High case dielectric strength
- ✧ Plastic material has Underwriters Laboratory Flammability Classification 94V-0
- ✧ Typical IR less than 0.1 μ A
- ✧ High surge current capability
- ✧ High temperature soldering guaranteed: 260°C / 10 seconds / .375", (9.5mm) lead lengths.

Mechanical Data

- ✧ Case: Moulded plastic body.
- ✧ Terminals: Plated leads solderable per MIL-STD-750, Method 2026.
- ✧ Weight: 0.06 ounce, 1.7 grams
- ✧ Mounting position: Any

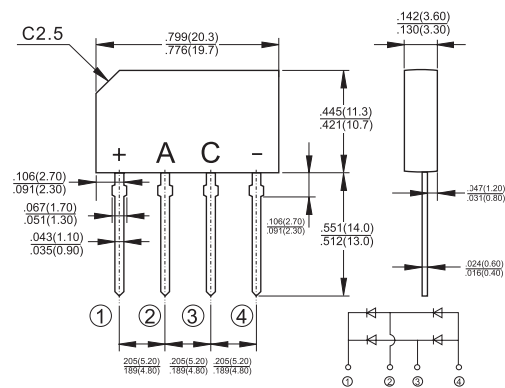
VOLTAGE RANGE

50to1000Volts

CURRENT

2.0Ampere

D2SB



Dimensions in inches and (millimeters)

Maximum Ratings and Electrical Characteristics

Rating at 25°C ambient temperature unless otherwise specified.

Single phase, half wave, 60 Hz, resistive or inductive load.

For capacitive load, derate current by 20%

Type Number	Symbol	D2SB	D2SB	D2SB	D2SB	D2SB	D2SB	D2SB	Units
		05A	10A	20A	40A	60A	80A	100A	
Maximum Recurrent Peak Reverse Voltage	V_{RRM}	50	100	200	400	600	800	1000	V
Maximum RMS Voltage	V_{RMS}	35	70	140	280	420	560	700	V
Maximum DC Blocking Voltage	V_{DC}	50	100	200	400	600	800	1000	V
Maximum Average Rectified Output Current @ 50°C Ambient	$I_{(AV)}$	2.0							A
Peak One Surge Current Overload Current	I_{FSM}	75							A
Maximum Instantaneous Forward Voltage @ 2.0A	V_F	1.00							V
Maximum DC Reverse Current @ $T_A=25^\circ\text{C}$ at Rated DC Blocking Voltage @ $T_A=100^\circ\text{C}$	I_R	5.0 500							μA μA
Typical Thermal Resistance Per Leg (Note) (Note)	$R_{\theta JA}$	32							$^\circ\text{C/W}$
	$R_{\theta JL}$	13							
Typical Junction Capacitance Per Leg at 4.0V, 1MHz	C_j	25							pF
Operating Temperature Range	T_J	-55 to +150							$^\circ\text{C}$
Storage Temperature Range	T_{STG}	-55 to +150							$^\circ\text{C}$

Note: Thermal Resistance from Junction to Ambient and from Junction to Lead Mounted on P.C.B with 0.47 x 0.47" (12 x 12mm) Copper Pads.

RATING AND CHARACTERISTIC CURVES (D2SB05A THRU D2SB100A)

FIG. 1-TYPICAL FORWARD CURRENT DERATING CURVE

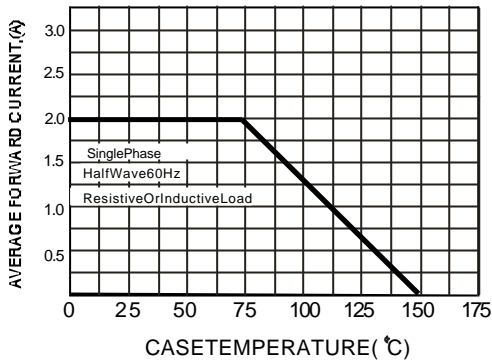


FIG. 2-MAXIMUM NON-REPETITIVE FORWARD SURGE CURRENT

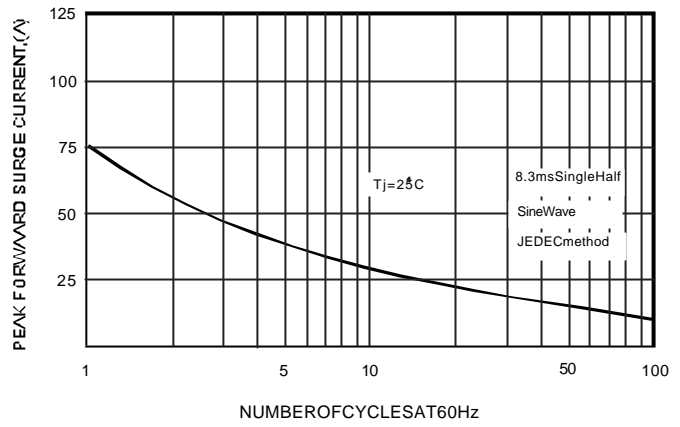


FIG. 3-TYPICAL FORWARD CHARACTERISTICS

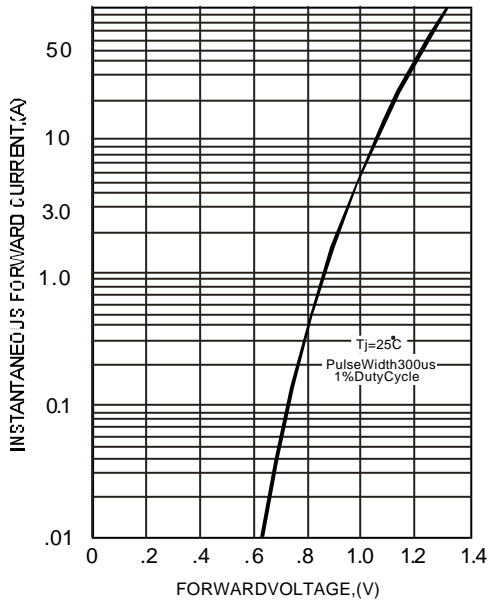


FIG. 4-TYPICAL REVERSE CHARACTERISTICS

