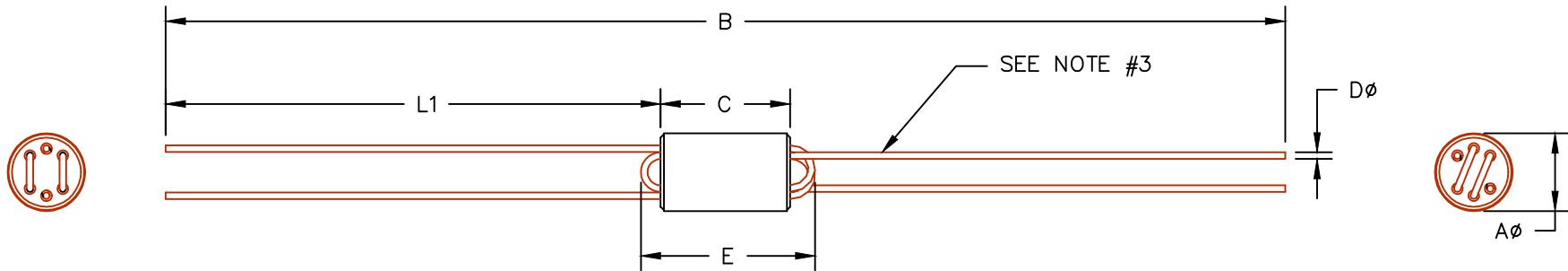
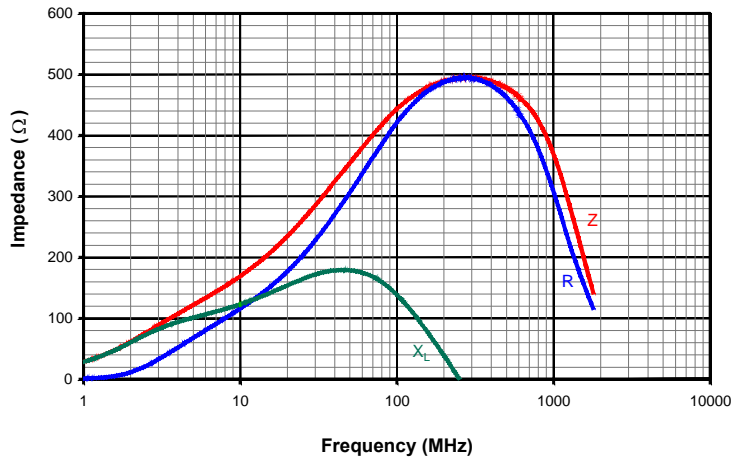


UNCONTROLLED DOCUMENT

SCALE DRAWING 1:1



Z, R, X vs Frequency



RoHS

ELECTRICAL TESTING

TEST:	Z	Z
FREQUENCY	25 MHz	100 MHz
NOMINAL	281 Ω	460 Ω
MINIMUM	211 Ω	345 Ω
MAXIMUM	- Ω	- Ω

NOTES:

1. WIRE: 2 X 1 1/2 TURNS COPPER 24 AWG 0.51 [.0201] DIAMETER.
2. PLATING: 100% TIN 5 μ \pm 2 μ [200 μ in \pm 80 μ in]
3. LEADS:
 - A. LEADS SOLDERABILITY CONFORMS TO MIL-STD-202F, METHOD 208F.
4. REF. STEWARD CORE P/N 28C0236-000.
5. WEIGHT/1000: 1.23 kgs [2.71 lbs]

DIMENSIONS:

A	6.00 [.236]	\pm	0.20 [.008]
B	86.46 [3.404]	\pm	3.18 [.125]
C	10.00 [.394]	\pm	0.25 [.010]
D	0.51 [.0201]	\pm	TYP.
E	14.61 [.575]	\pm	MAX.
L1	38.23 [1.505]	\pm	3.00 [.118]

DIMENSIONS ARE IN mm [INCHES].

This print is the property of Laird Tech. and is loaned in confidence subject to return upon request and with the understanding that no copies shall be made without the written consent of Laird Tech. All rights to design or invention are reserved.



K	UPDATE COMPANY LOGO	04/27/15	QIU	PROJECT/PART NUMBER:	28C0236-0DW-10	REV	K	PART TYPE:	ASSEMBLY	DRAWN BY:	DJB
J	UPDATE COMPANY LOGO	12/16/08	JRK	DATE:	08/06/90	SCALE:	2 : 1	MATERIAL:	NiZn Ferrite		
H	UPDATE COMPANY LOGO	04/16/07	JRK	CAD #	28C0236-0DW-10-K	TOOL #	C0236				
G	CHG DIMS A & TOLS, ADD ROHS SYMB.	03/08/07	JRK	REV	DESCRIPTION	DATE	INT				
F	CHG P/N TO -10, REV NOTE 2 & 5	02/13/93	TMB								

AGILENT E4991A RF Impedance/Material Analyzer
HP 16194A Test Fixture