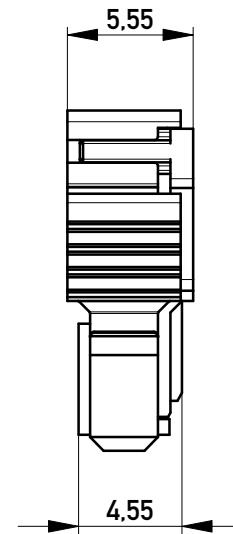
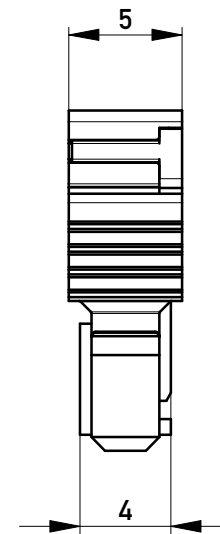


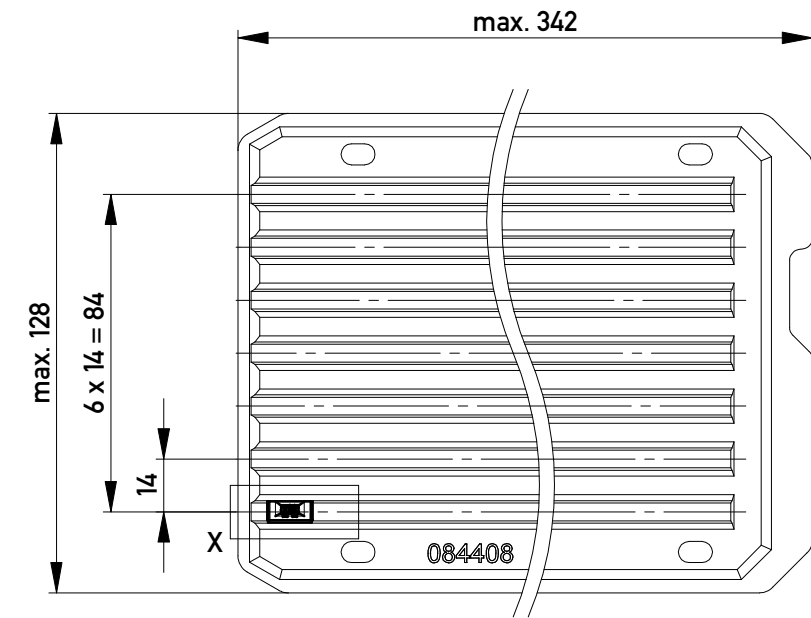
Abdeckung vorverrastet  
cover loose mounted



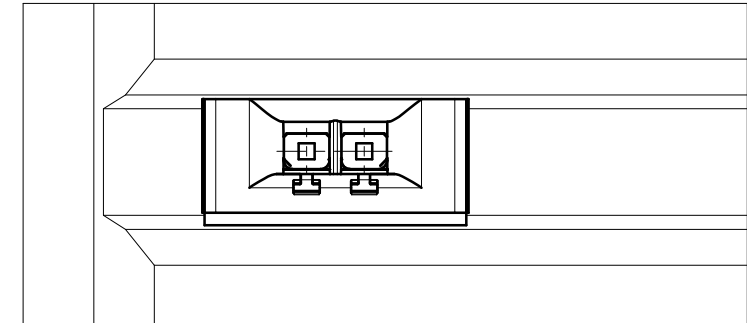
Abdeckung verpresst  
cover pressed on



Verpackt in Tray - tray packaging  
Verpackungseinheit 182 Stück - packaging unit 182



Einzelheit X  
detail X



Copyright by ERNI Production GmbH & Co. KG  
Proprietary notice pursuant to ISO 16016 to be observed.

Information: Codierung schwarz - coding black		Tolerances		Scale	3:1
All rights reserved. Only for Information. To ensure that this is the latest version of this drawing, please contact one of the ERNI companies before using.		Subject to modification without prior notice. Drawing will not be updated.		Designation <b>F 2.54 SRC-A, 2-polig BA 2</b>	
www.ERNI.com				<b>100804570001</b>	
d	23.02.2016			K	
Index	Date			A3	
				Class	SRCBUG