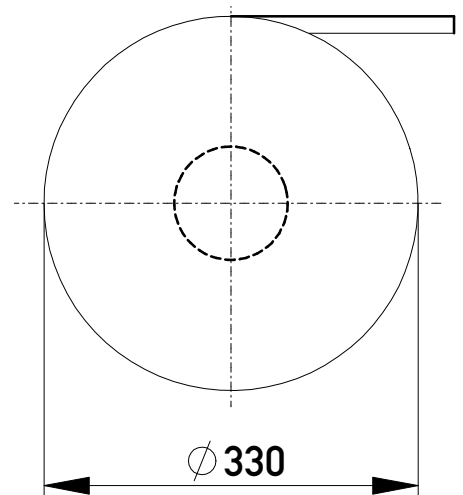
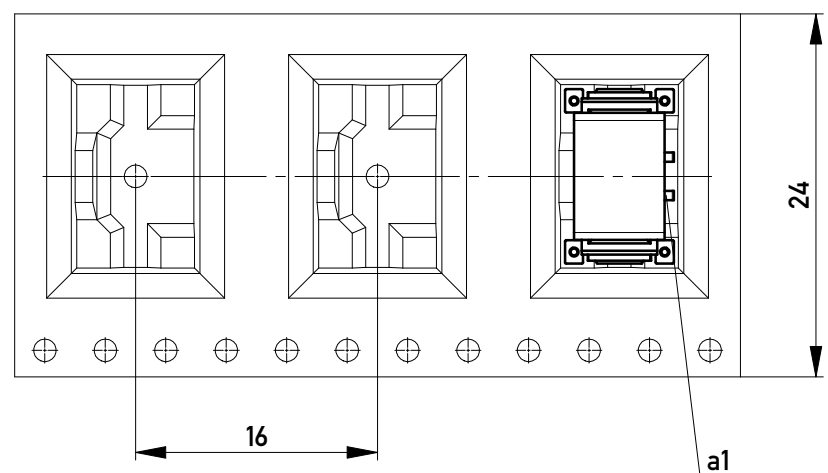


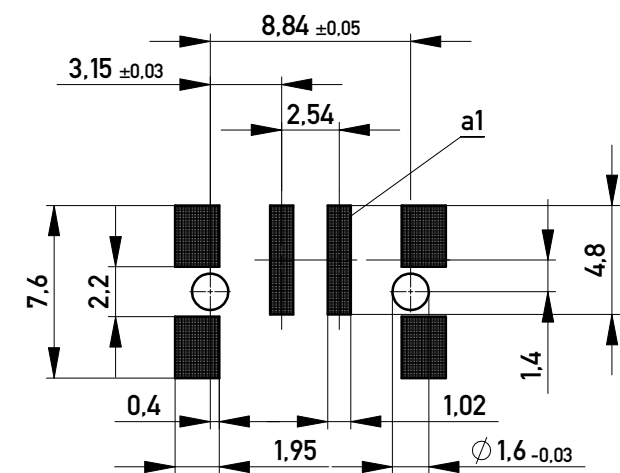
Verpackt im Gurt in Anlehnung an DIN IEC 60286-3
 Tape on Reel Packaging according to DIN IEC 60286-3
 Verpackungseinheit: 320 Stück
 Packaging unit: 320 pcs



Abspulrichtung - Reel off Direction



Leiterplatten-Layout Vorschlag für SMT
 PCB-Layout Proposal for SMT



- Anforderungsstufe 1
Performance Level 1
- Kontaktbereich vergoldet
Mating Area gold plating
- Anschlussbereich verzinkt 4-6 µm
Terminal Area 4-6 µm tin plating
- Koplanarität der Anschlüsse ≤ 0,1 mm
Coplanarity Area of Termination ≤ 0,1 mm

Copyright by ERNI GmbH
 Proprietary notice pursuant to ISO 16016 to be observed.

Information: Codierung, schwarz - coding, black		Tolerances		Scale	3:1
All rights reserved. Only for Information. To ensure that this is the latest version of this drawing, please contact one of the ERNI companies before using.		Subject to modification without prior notice. Drawing will not be updated.		Designation M 2,54 SRC-P, 2-polig	
g		22.02.2016		100104570001	
Index		Date		K A3	
www.ERNI.com				Class SRCP	