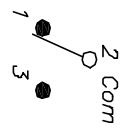


RECOMMENDED PCB LAYOUT

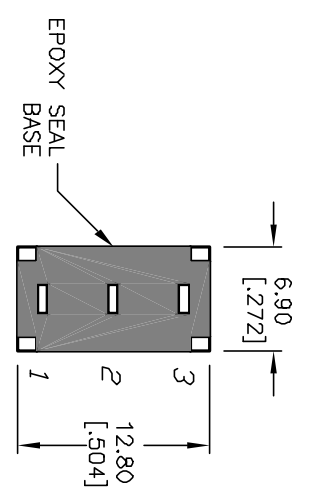
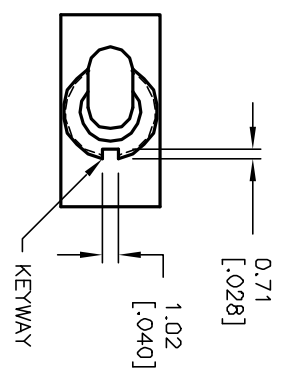


CIRCUIT: SPDT

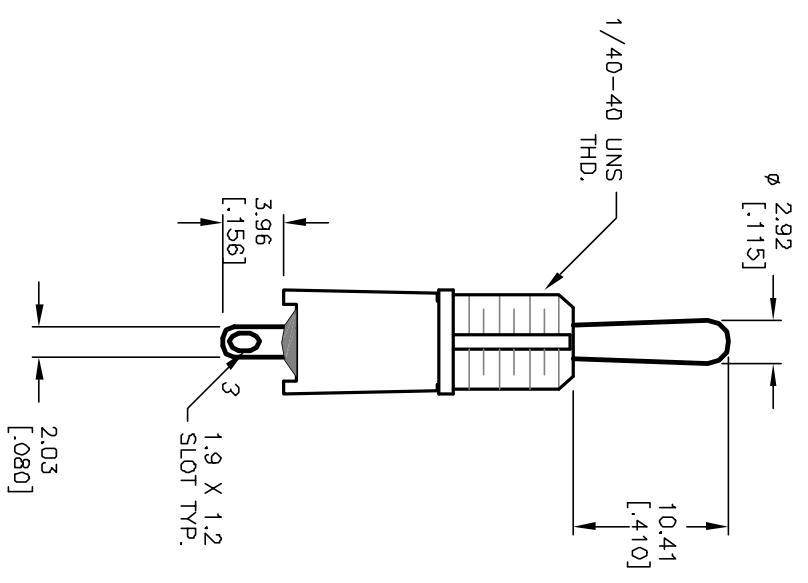
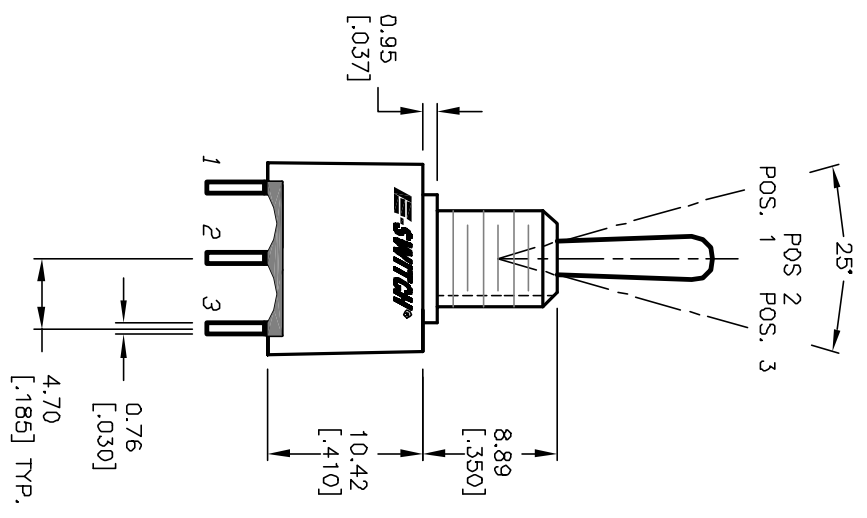
SWITCH FUNCTION		
POS. 1	POS. 2	POS. 3
2-3	DPEN	2-1

NOTES:

1. ALL DIMENSIONS IN MM [INCH]
2. GENERAL TOLERANCE: X.XX=±0.4 X.XXX=±0.25
3. TERMINAL NUMBERS FOR REF ONLY
4. RATING: 5A @120VAC or 28VDC 2A @250VAC (w/RESISTIVE LOAD)
5. FIXED TERM. & MOVING CONTACT:
Cu Alloy w/Silver plate
6. ELECTRIC LIFE: 40,000 make-and-break cycles at full load.
7. INSULATION RESISTANCE: 1,000 Mega-ohm min.
8. DIELECTRIC STRENGTH: 1,000 V RMS @sea level.
9. OPERATING TEMP.: -30°C to 85°C



BOTTOM VIEW



E-SWITCH®

REV. A	12215	RELEASED FOR PRODUCTION	6/6/02	CB
REV.	ECN NO.	DESCRIPTION	DATE	CHK'D

TITLE		SCALE		DATE	DR	DWG	REV
100A WSP-5 T1 B1 M1 Q E		2:1		6/6/02	CB	T105005	A

THE INFORMATION CONTAINED IN THIS DOCUMENT IS PREPARATORY TO E-SWITCH AND IS NOT TO BE COPIED OR TRANSMITTED