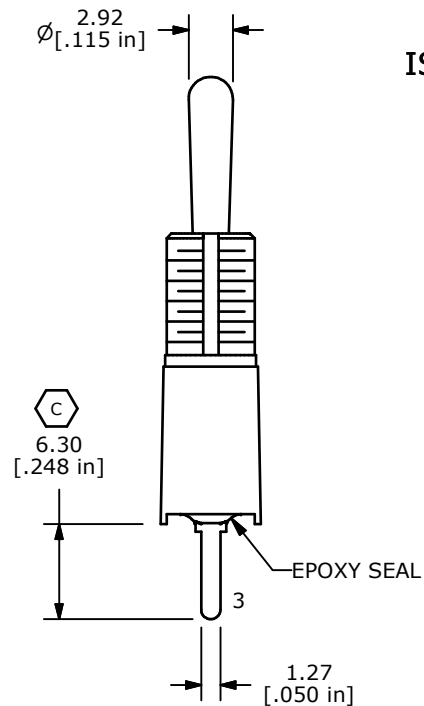
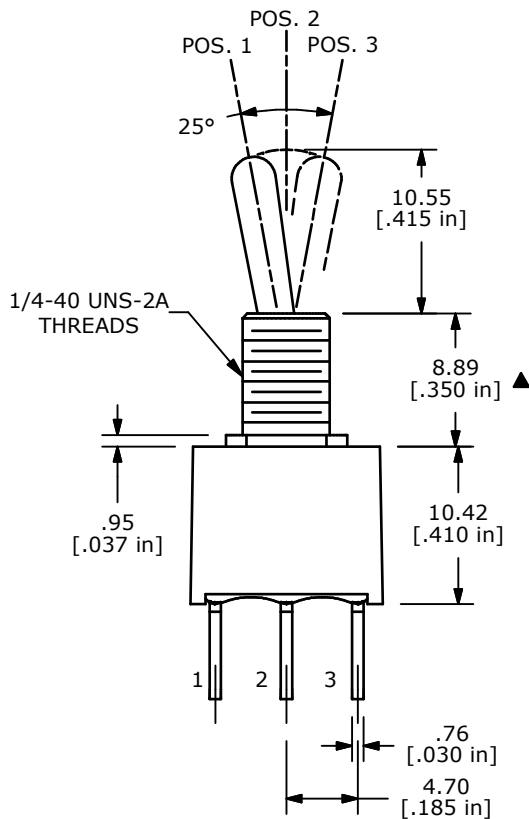
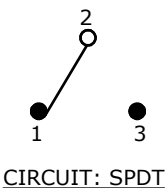


SWITCH FUNCTION		
POS. 1	POS. 2	POS. 3
ON	OFF	(ON)
2-3	OPEN	2-1

(ON) = MOMENTARY



- NOTE:
1. ALL DIMENSIONS IN MM [INCH]
  2. GENERAL TOLERANCE: X.X=±0.4  
X.XX=±0.25
  3. TERMINAL NUMBERS FOR REF ONLY
  - ▲ 4. PLATING MATERIAL: SILVER
  5. RATING: 5A @120VAC or 28VDC  
2A @250VAC (W/RESISTIVE LOAD)
  6. ELECTRIC LIFE: 40,000 MAKE-AND-BREAK CYCLES  
AT FULL LOAD.
  7. INSULATION RESISTANCE: 1,000 MEGA-OHM MIN.
  8. DIELECTRIC STRENGTH: 1,000 V RMS @SEA LEVEL.
  9. OPERATING TEMP.: -30°C to 85°C
  10. ▲ DENOTES CRITICAL PARAMETER.
  11. 2002/95/EC (ROHS) COMPLIANT



C	18552	DIM FOR TERM. LENGTH WAS 5.60	6/5/09	BLR
B	18536	UPDATE DIMENSION FOR ACTUATOR	5/19/09	BLR
REV	PCR NO	DESCRIPTION	DATE	BY

TITLE 100AWSP5T1B1M2QE				
SCALE 2:1	DATE 6/3/2009	DR BLR	DWG T105004	REV C

THE INFORMATION CONTAINED IN THIS DOCUMENT IS PROPRIETARY TO E-SWITCH AND IS NOT TO BE COPIED OR TRANSFERRED